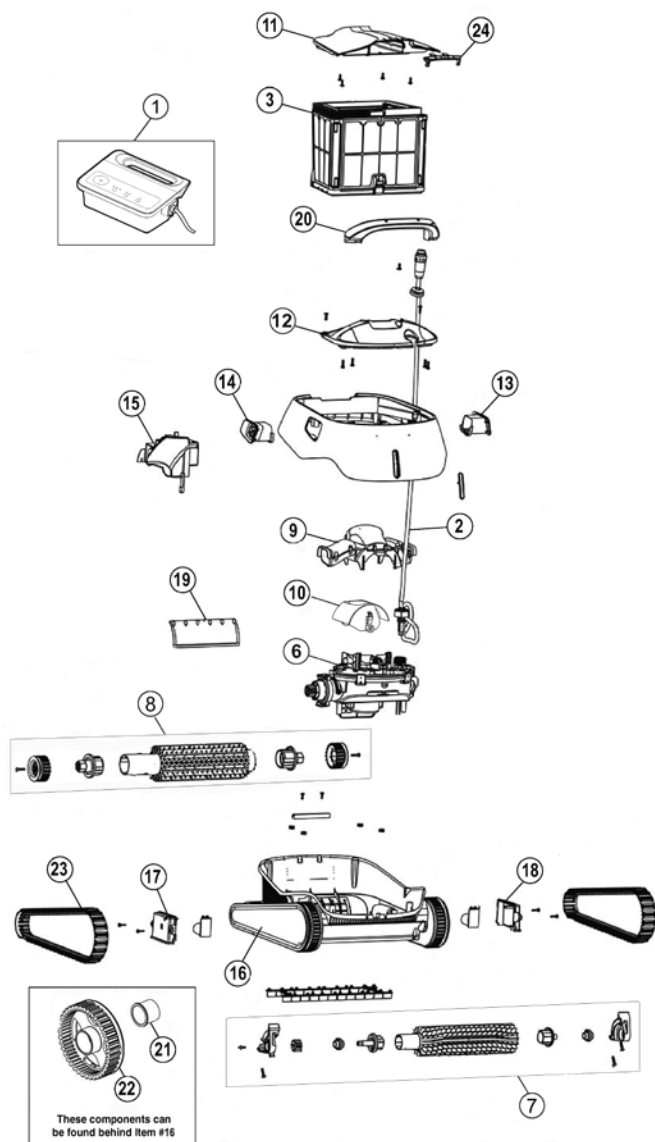


# AUTOMATIC POOL CLEANER PARTS

Product Catalog 2023

# PENTAIR PROWLER® 930, 930W/PENTAIR WARRIOR® SI

## CLEANER REPLACEMENT PARTS



**CALIFORNIA PROPOSITION 65 WARNING**

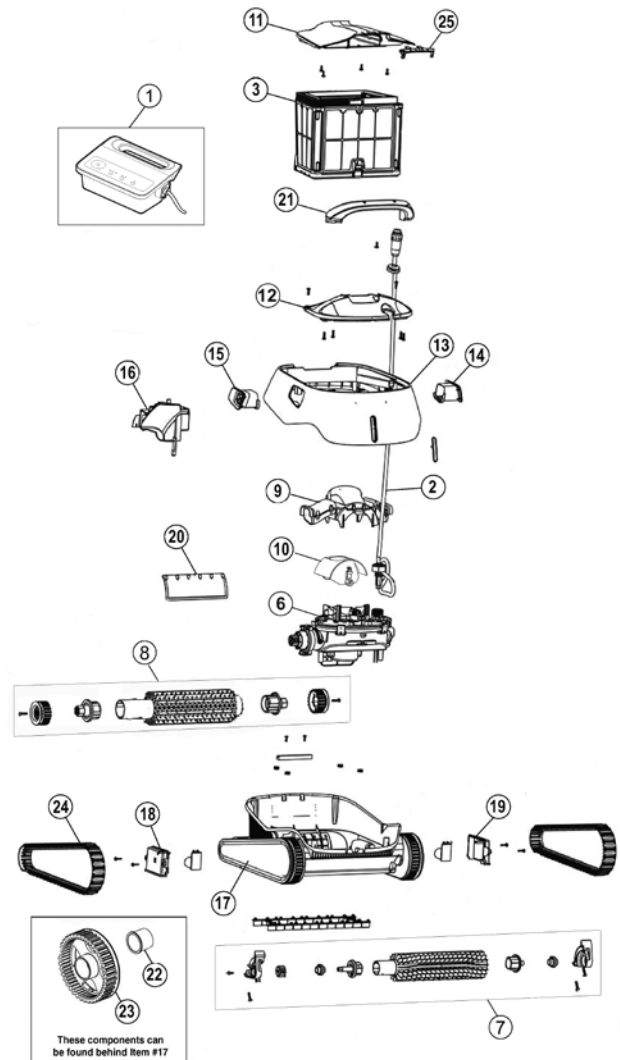
⚠ **WARNING:** Cancer and Reproductive Harm.  
 ⚠ **AVERTISSEMENT:** Peut Causer le Cancer et des Dommages au Système Reproducteur.  
 ⚠ **ADVERTENCIA:** Cáncer y Daño Reproductivo.  
[www.p65warnings.ca.gov](http://www.p65warnings.ca.gov)

Item	Part No.	Description	US List	Can. List
<b>PROWLER 930/WARRIOR SI</b>				
1	360400	Power Supply (930 & SI)	713.34	857.15
1	360541	Power Supply (930W)	843.79	1013.90
2	360446	Communication Cable	601.24	722.45
3	360507	Outer Filter Basket	529.06	635.72
6	360365	Motor Unit	1179.81	1417.66
7	360366	Front Brush Assembly	18.36	22.06
8	360367	Rear Brush Assembly	30.93	37.17
9	360370	Manifold Assembly	25.70	30.88
10	360371	Impeller Cover	12.06	14.49
11	360447	Filter Cover, Prowler 930	45.48	54.65
11	360506	Filter Cover, Warrior SI	56.88	68.35
12	360375	Intermediate Cover	25.95	31.18
13	360377	Left Grill, Prowler 930	8.23	9.89
13	360502	Left Grill, Warrior SI	18.95	22.77
14	360378	Right Grill, Prowler 930	8.23	9.89
14	360503	Right Grill, Warrior SI	18.95	22.77
15	360379	Internal Float	7.34	8.82
16	360380	Side Panel	26.59	31.95
17	360382	Bypass Cover, Left	7.34	8.82
18	360383	Bypass Cover, Right	7.34	8.82
19	360384	Rapid Drain Flap	14.68	17.64
20	360385	Handle Assembly, Prowler 930	43.65	52.45
20	360504	Handle Assembly, Warrior SI	56.88	68.35
21	360388	Front Brush Bushing	18.36	22.06
22	360372	Front Wheel	18.36	22.06
23	360342	Track	51.48	61.86
24	360373	Latch, Prowler 930	21.73	26.11
24	360500	Latch, Warrior SI	18.95	22.77
<b>NOT SHOWN</b>				
	360445	Inner Filter Basket	159.38	191.51
	360363	Cartridge Filter Kit	262.93	315.94
	360364	Net Filter Kit	141.59	170.13
	360340	Impeller	22.10	26.56
	360165	Cleaner Caddy	CALL	CALL
	360381	Rear Wheel	7.34	8.82
	360039	Prowler Tester Power Supply	90.65	108.93
	360518	Prowler 900s Dealer Service Pack	CALL	CALL

# PENTAIR PROWLER® 920 / WARRIOR® SE

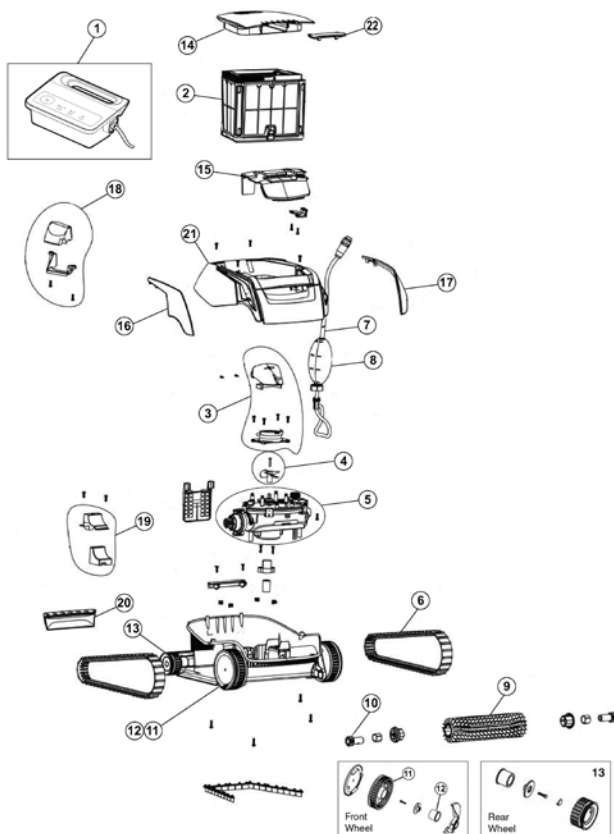
## CLEANER REPLACEMENT PARTS

Item	Part No.	Description	US List	Can. List
<b>PROWLER 920/WARRIOR SE</b>				
1	360400	Power Supply	713.34	857.15
2	360499	Communication Cable	375.29	450.95
3	360362	Filter Basket	368.09	442.30
6	360365	Motor Unit	1179.81	1417.66
7	360366	Front Brush Assembly	18.36	22.06
8	360367	Rear Brush Assembly	30.93	37.17
9	360370	Manifold Assembly	25.70	30.88
10	360371	Impeller Cover	12.06	14.49
11	360374	Filter Cover, Prowler 920	37.02	44.48
11	360501	Filter Cover, Warrior SE	56.88	68.35
12	360375	Intermediate Cover	25.95	31.18
13	360376	External Housing	98.97	118.92
14	360377	Left Grill, Prowler 920	8.23	9.89
14	360502	Left Grill, Warrior SE	18.95	22.77
15	360378	Right Grill, Prowler 920	8.23	9.89
15	360503	Right Grill, Warrior SE	18.95	22.77
16	360379	Internal Float	7.34	8.82
17	360380	Side Panel	26.59	31.95
18	360382	Bypass Cover, Right	7.34	8.82
19	360383	Bypass Cover, Left	7.34	8.82
20	360384	Rapid Drain Flap	14.68	17.64
21	360385	Handle Assembly, Prowler 920	43.65	52.45
21	360504	Handle Assembly, Warrior SE	56.88	68.35
22	360388	Front Wheel Bushing	18.36	22.06
23	360372	Front Wheel	18.36	22.06
24	360342	Track	51.48	61.86
25	360373	Latch, Prowler 920	21.73	26.11
25	360500	Latch, Warrior SE	18.95	22.77
<b>NOT SHOWN</b>				
	360340	Impeller	22.10	26.56
	360363	Cartridge Filter Kit	262.93	315.94
	360364	Net Filter Kit	141.59	170.13
	360381	Rear Wheel	7.34	8.82
	360039	Prowler Tester Power Supply	90.65	108.93
	360518	Prowler 900s Dealer Service Pack	CALL	CALL



# PENTAIR PROWLER® 917

## CLEANER REPLACEMENT PARTS



Item	Part No.	Description	US List	Can. List
<b>PROWLER 917</b>				
1	360400	Power Supply	713.34	857.15
2	360527	Filter Basket Assembly	344.13	413.51
3	360339	Impeller Cover	18.44	22.16
4	360340	Impeller	22.10	26.56
5	360522	Motor Unit	1267.80	1523.39
6	360342	Track	51.48	61.86
7	360523	Communication Cable	344.13	413.51
8	360344	Cable Float	25.70	30.88
9	360345	Active Brush	20.97	25.20
10	360346	Brush Mounting	14.68	17.64
11	360347	Front Wheel	29.61	35.58
12	360388	Front Wheel Bushing	18.36	22.06
13	360348	Rear Wheel Assembly	28.16	33.84
14	360349	Filter Cover	73.58	88.41
15	360350	Intermediate Cover	11.01	13.23
16	360351	Side Cover, Right	11.01	13.23
17	360352	Side Cover, Left	11.01	13.23
18	360354	Internal Top Float and Housing	7.34	8.82
19	360355	Internal Bottom Float and Housing	7.34	8.82
20	360356	Front Rubber Cover	11.01	13.23
21	360524	External Housing	72.45	87.06
22	360359	Latch	21.73	26.11
<b>NOT SHOWN</b>				
*	360528	Pleated Filter Screen (Qty. 2)	141.25	169.73
	360039	Prowler Tester Power Supply	90.65	108.93
	360518	Prowler 900s Dealer Service Pack	CALL	CALL

**CALIFORNIA PROPOSITION 65 WARNING**

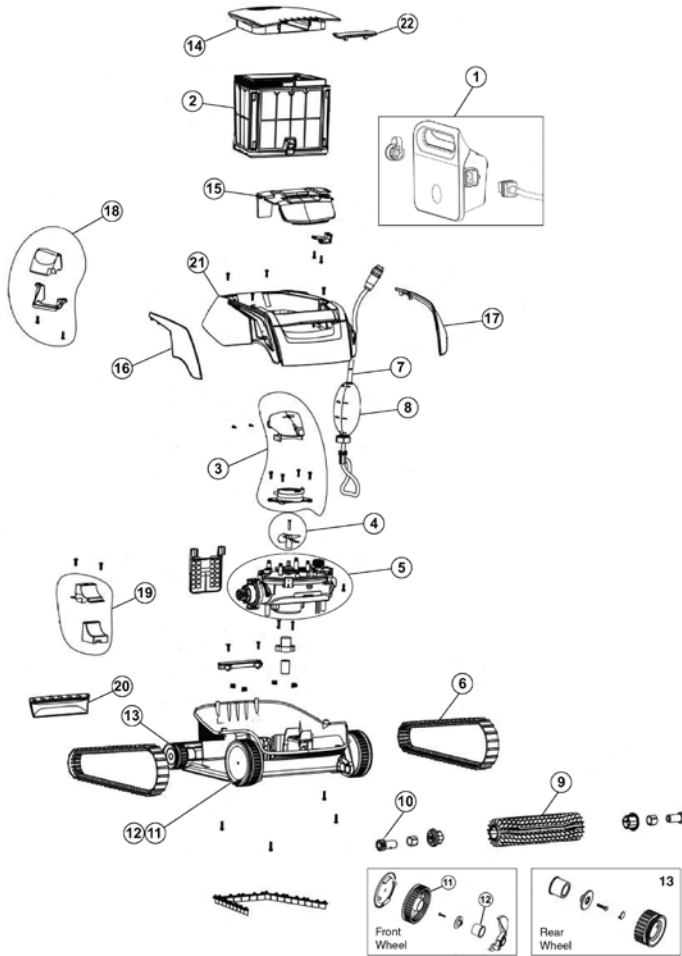
⚠ **WARNING:** Cancer and Reproductive Harm.  
 ⚠ **AVERTISSEMENT:** Peut Causer le Cancer et des Dommages au Système Reproducteur.  
 ⚠ **ADVERTENCIA:** Cáncer y Daño Reproductivo.

[www.p65warnings.ca.gov](http://www.p65warnings.ca.gov)

PK2017A

# PENTAIR PROWLER® 910 / WARRIOR SL

## CLEANER REPLACEMENT PARTS



Item	Part No.	Description	US List	Can. List
<b>PROWLER 910/WARRIOR SL</b>				
1	360337	Power Supply	690.14	829.27
2	360496	Filter Assembly	208.50	250.53
3	360339	Impeller Cover	18.44	22.16
4	360340	Impeller	22.10	26.56
5	360341	Motor Unit	826.16	992.71
6	360342	Track	51.48	61.86
7	360343	Communication Cable	134.23	161.29
8	360344	Cable Float	25.70	30.88
9	360345	Active Brush	20.97	25.20
10	360346	Brush Mounting	14.68	17.64
11	360381	Front Wheel	7.34	8.82
12	360388	Front Wheel Bushing	18.36	22.06
13	360348	Rear Wheel Assembly	28.16	33.84
14	360349	Filter Cover, Prowler 910	73.58	88.41
14	360521	Filter Cover, Warrior SL	88.17	105.95
15	360350	Intermediate Cove	11.01	13.23
16	360351	Side Cover, Right	11.01	13.23
17	360352	Side Cover, Left	11.01	13.23
18	360354	Internal Top Float and Housing	7.34	8.82
19	360355	Internal Bottom Float and Housing	7.34	8.82
20	360356	Float Rubber Cover	11.01	13.23
21	360358	External Housing, Prowler 910	58.89	70.76
21	360498	External Housing, Warrior SL	94.76	113.86
22	360359	Latch	21.73	26.11
<b>NOT SHOWN</b>				
	360039	Prowler Tester Power Supply	90.65	108.93
	360518	Prowler 900s Dealer Service Pack	CALL	CALL

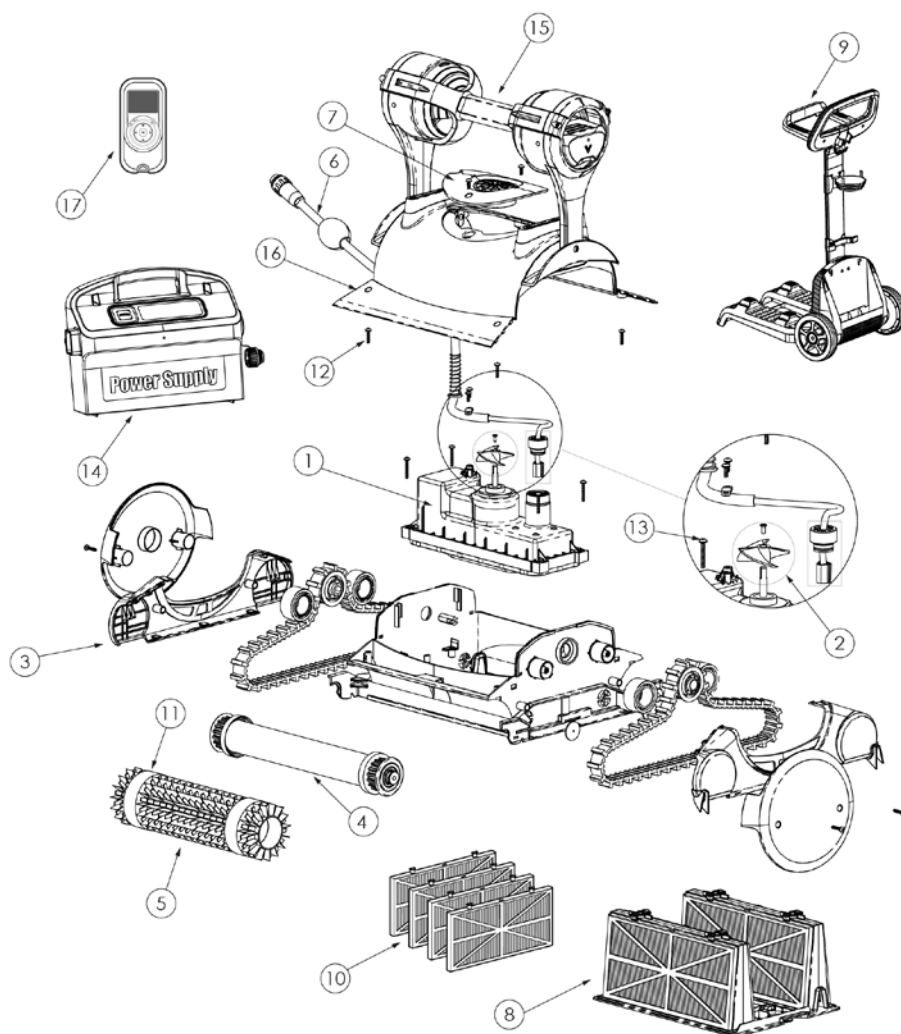
CALIFORNIA PROPOSITION 65 WARNING

⚠️ **WARNING:** Cancer and Reproductive Harm.  
 ⚠️ **AVERTISSEMENT:** Peut Causer le Cancer et des Dommages au Système Reproducteur.  
 ⚠️ **ADVERTENCIA:** Cáncer y Daño Reproductivo.

[www.p65warnings.ca.gov](http://www.p65warnings.ca.gov)
PA2017A

# KREEPY KRAULY® PROWLER® 830

## CLEANER REPLACEMENT PARTS



Item	Part No.	Description	US List	Can. List
<b>PROWLER 830 REPLACEMENT PARTS</b>				
1	360147	Motor - 830	1353.20	1626.01
2	360131	Impeller - 820/830	44.52	53.50
3	360133	Timing track - 820/830	109.77	131.90
4	360135	Wheel tube - 820/830	172.81	207.65
5	360136	Brush - 820/830	134.35	161.43
6	360137	Cable - 820/830	760.91	914.31
7	360139	Prowler impeller cover	17.59	21.14
8	360140	Cartridge assembly - 820/830	372.61	447.73
9	360141	Caddy/Cart	CALL	CALL
10	360123	Spring filter - 820/830	166.36	199.90
11	360142	Climbing ring (4) - 820/830	213.02	255.96
12	360143	Small screw - 820/830	24.60	29.56
13	360144	Large screw - 820/830	24.60	29.56

Item	Part No.	Description	US List	Can. List
14	360126	Power supply - 830	755.29	907.56
15	360145	Handle - 830	230.57	277.05
16	360146	Cover - 830	266.10	319.75
17	360149	Remote - 830	424.90	510.56
<b>NOT SHOWN</b>				
	360124	Cartridge Filter Kit - 820/830	274.14	329.41
	360146	Wonder Brush Kit (for slick pool surfaces) - 820/830	266.10	319.75
	360149	Screw Kit Caddy	424.90	510.56
	360157	Foam Float 300CC	8.87	10.66
	360158	Foam Float 500CC	8.87	10.66

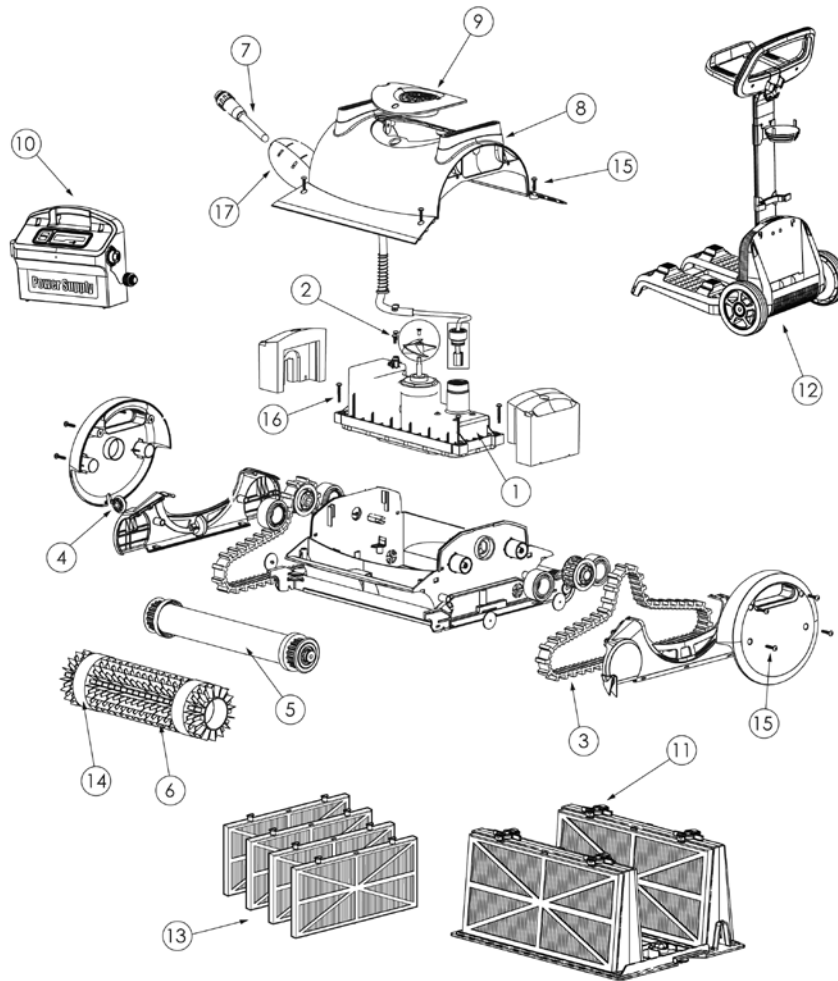
CALIFORNIA PROPOSITION 65 WARNING

▲ **WARNING:** Cancer and Reproductive Harm.  
 ▲ **AVERTISSEMENT:** Peut Causer le Cancer et des Dommages au Système Reproducteur.  
 ▲ **ADVERTENCIA:** Cáncer y Daño Reproductivo.

www.p65warnings.ca.gov. PR020114A

# KREEPY KRAULY® PROWLER® 820

## CLEANER REPLACEMENT PARTS



Item	Part No.	Description	US List	Can. List
<b>PROWLER 820 REPLACEMENT PARTS</b>				
1	360132	Motor - 820	1150.92	1382.95
2	360131	Impeller - 820/830	44.52	53.50
3	360133	Timing track	109.77	131.90
4	360134	Side wheel - 820	20.62	24.78
5	360135	Wheel tube - 820/830	172.81	207.65
6	360136	Brush - 820/830	134.35	161.43
7	360137	Cable - 820/830	760.91	914.31
8	360138	Case - 820	266.10	319.75
9	360139	Impeller cover	17.59	21.14
10	360125	Power supply - 820	755.29	907.56
11	360140	Cartridge assembly - 820/830	372.61	447.73

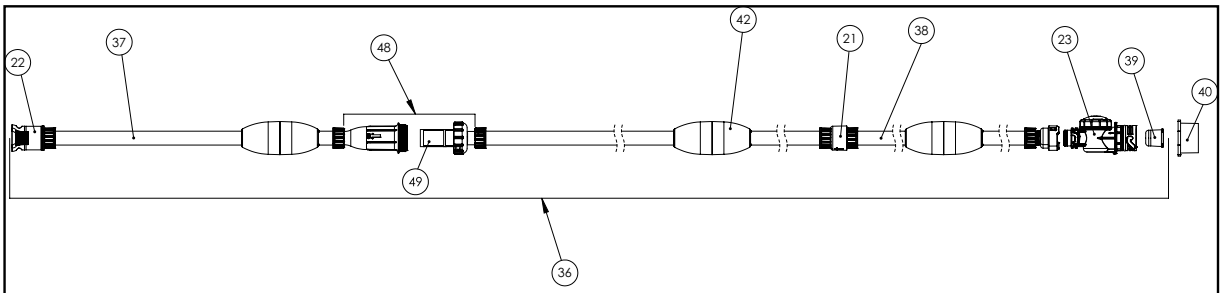
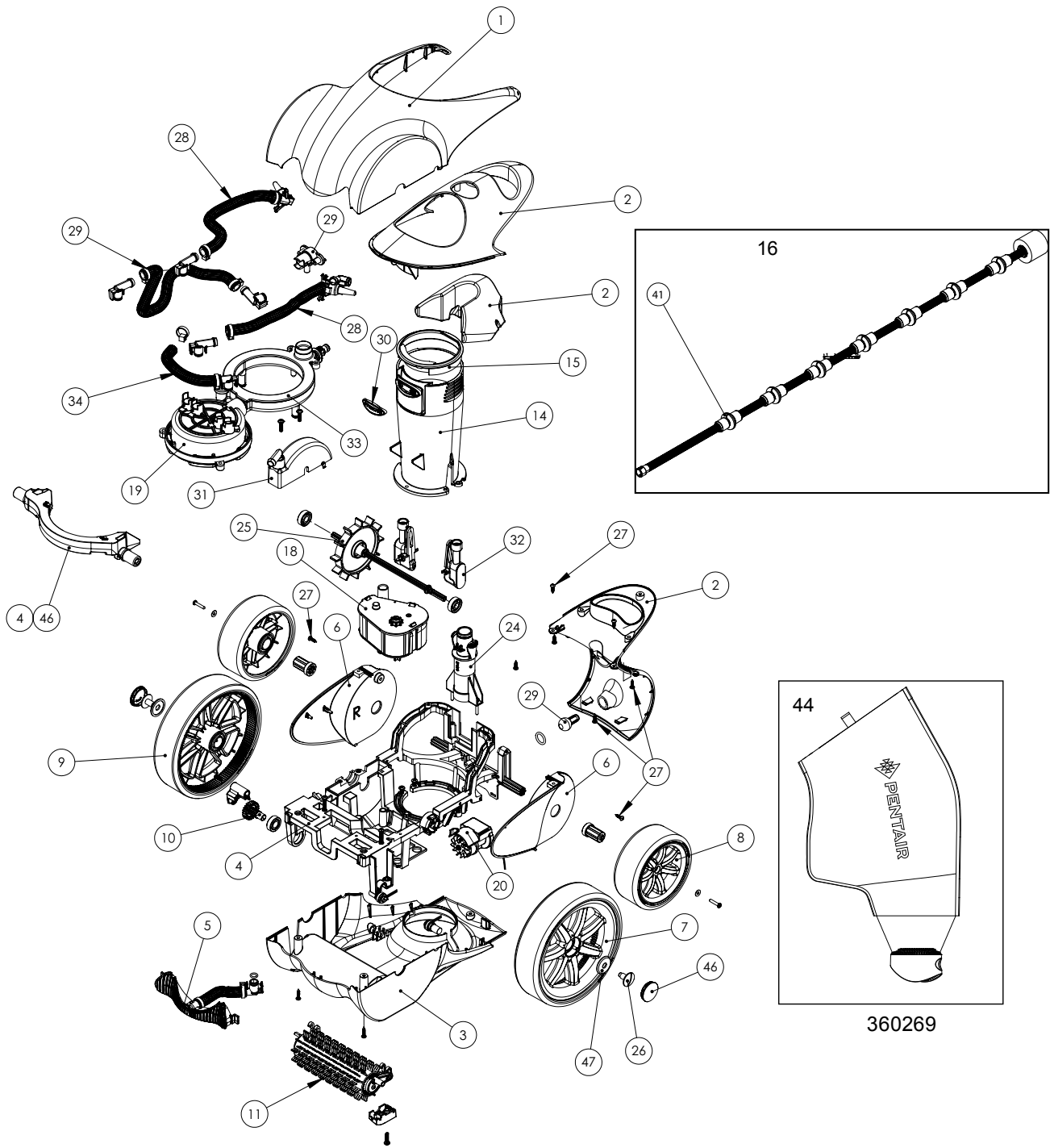
Item	Part No.	Description	US List	Can. List
12	360141	Caddy	CALL	CALL
13	360123	Spring filter - 820/830	166.36	199.90
14	360142	Climbing ring (4) - 820/830	213.02	255.96
15	360143	Small screw - 820/830	24.60	29.56
16	360144	Large screw - 820/830	24.60	29.56
17	360150	Float Kit - 820	569.04	683.76
<b>NOT SHOWN</b>				
	360124	Cartridge Filter Kit - 820/830	274.14	329.41
	360148	Wonder Brush Kit (for slick pool surfaces) - 820/830	695.56	835.78

**CALIFORNIA PROPOSITION 65 WARNING**

⚠ **WARNING:** Cancer and Reproductive Harm.  
 ⚠ **AVERTISSEMENT:** Peut Causer le Cancer et des Dommages au Système Reproducteur.  
 ⚠ **ADVERTENCIA:** Cáncer y Daño Reproductivo.  
[www.p65warnings.ca.gov](http://www.p65warnings.ca.gov)

# PENTAIR RACER® PRESSURE SIDE CLEANER

## CLEANER REPLACEMENT PARTS





# PENTAIR RACER® PRESSURE SIDE CLEANER (CONT'D)

## CLEANER REPLACEMENT PARTS

Item	Part No.	Description	US List	Can. List
<b>RACER REPLACEMENT PARTS</b>				
1	360229	Top Front Cover Kit	60.00	72.10
2	360230	Rear Cover Kit	86.94	104.47
3	360231	Bottom Cover Kit	29.98	36.02
4	360391	Chassis Kit w/Tie Bar	89.74	107.83
5	360233	Front Grill Kit	25.90	31.12
6	360234	Side Covers Kit	34.75	41.76
7	360235	Large Wheel Kit	65.94	79.23
8	360236	Small Wheel Kit	94.72	113.82
9	360237	Large Tires Kit	69.37	83.35
10	360238	Scrubber Gear Kit	20.32	24.42
11	360239	Scrubber Kit	94.27	113.27
12*	360240	Debris Bag Kit (w/o collar), hook and loop fastener	68.30	82.07
13*	360241	Debris Bag Collar Kit	18.06	21.70
14	360242	Vacuum Tube Kit	52.58	63.18
15	360243	Debris Valve Kit	8.97	10.78
16	360244	Sweep Hose Kit	80.93	97.25
17	360245	Sweep Hose Scrubber Kit	20.20	24.27
18	360246	Gear Box Kit	63.09	75.81
19	360247	Timer Valve Kit	108.58	130.47
20	360248	LED Kit	234.50	281.78
21	360249	Feedline Swivel Kit (incl. (swivel -1) (Mender Nut - 2)	75.68	90.94
22	360250	Feedline Quick Connector to cleaner Kit (mender nut, swivel and connector)	37.34	44.87
23	360251	Feedline Wall Connector Kit (wall fitting w/2 O-rings)	52.97	63.65
24	360252	Feed Mast Kit (feed tube, oring & 2 screws)	14.31	17.19
25	360253	Drive Shaft Kit (drive shaft & 2 bearings)	33.97	40.82
26	LLC55PMB	Wheel Screw Kit	7.43	8.93
27	360255	Screw Kit (11 1/2", 4 5/8", 9 machine & 2 1")	16.38	19.68
28	360256	Turn Jet Hose Kit (R & L hose assembly)	44.94	54.00
29	360257	Rear Thrust Jet Hose Kit (thrust jet assembly & 2 5/8" screws)	30.75	36.95
30	360258	Rubber Button Kit (rubber button)	2.16	2.60
31	360414	Turbine Kit	30.35	36.47
32	360260	Venturi manifold Kit	23.28	27.97
33	360261	Water Management Kit	40.82	49.05
34	360262	Turbine Hose Kit	16.57	19.91

Item	Part No.	Description	US List	Can. List
35	360263	See Racer Tune-Up Kit below	239.81	288.16
36	360264	Feed Line Hose Kit Complete	499.50	600.20
37	360265	Soft Feed Line Hose Kit 10'	141.01	169.44
38	360266	Hard Feed Line Hose Kit 10'	152.60	183.36
39	E24	Debris Screen	15.36	18.46
40	LL23PM	Threaded Wall Adapter	14.73	17.70
41	EB10G	Sweep Hose Wear Ring	19.42	23.34
42	360270	Feed Line Float	CALL	CALL
43*	360268	Feed Line O-Ring Kit (1 - 017, 1 - 020, 6 - 011, 1 - 012, 1 - 027 & 1 - 220)	11.56	13.89
44	360269	Debris Bag w/ Mechanical Lock	CALL	CALL
45*	360274	Wheel Hump Insert Kit	28.94	34.77
46	360434	Axle Kit	52.81	63.46
47	EC64	Wheel Washer Kit	9.09	10.92
48	360392	Inline Filter Kit	61.20	73.54
49	360437	Replacement Screen Cartridge	7.56	9.08

### INCLUDED IN RACER TUNE-UP KIT

35	360263	Kit Includes:  Bag (1), Driveshaft (1), Wheel Bearings (4), Drive-shaft Bearings (2), Scrubber Bearing (1), Large Tires (2), Scrubber (1), Small Wheel (2), Needle Bearing (2), Wheel Screws (2), 1/2" Screws (2), Hub-caps (2)	239.81	288.16
----	--------	---	--------	--------

### NOT SHOWN

360320	Quick Disconnect Hose Connector Kit	6.05	7.27
360318	Sweep Tail Quick Connect	4.70	5.65

Note: (\*) Not shown

<sup>1</sup> If cleaner was manufactured before 01/15/16, replacement of Item #33 360261 Water Management Tub will be required

CALIFORNIA PROPOSITION 65 WARNING

**WARNING:** Cancer and Reproductive Harm.  
**AVERTISSEMENT:** Peut Causer le Cancer et des Dommages au Systeme Reproducteur.  
**ADVERTENCIA:** Cáncer y Daño Reproductivo.

www.p65warnings.ca.gov. PA20071A



# PENTAIR RACER® LS PRESSURE SIDE CLEANER (CONT'D)

## CLEANER REPLACEMENT PARTS

Item	Part No.	Description	US List	Can List
<b>RACER LS REPLACEMENT PARTS</b>				
1	360422	Top Front Cover Kit	59.79	71.84
2	360425	Rear Cover Kit	58.59	70.40
3	360424	Bottom Cover Kit	22.93	27.55
4	360391	Chassis Kit	89.74	107.83
5	360426	Grill Kit	7.91	9.50
6	360423	Side Covers Kit	37.13	44.62
7	360235	Large Wheel Kit	65.94	79.23
8	360236	Small Wheel Kit	94.72	113.82
9	360237	Large Tires Kit	69.37	83.35
10*	360240	Debris Bag Kit (w/o collar), hook and loop fastener	68.30	82.07
11	360241	Debris Bag Collar Kit	18.06	21.70
12	360242	Vacuum Tube Kit	52.58	63.18
13	360243	Debris Valve Kit	8.97	10.78
14	360244	Sweep Hose Kit	80.93	97.25
15	360245	Sweep Hose Scrubber Kit	20.20	24.27
16	360249	Feedline Swivel Kit	75.68	90.94
17	360250	Feedline Quick Connector Kit	37.34	44.87
18	360251	Feedline Wall Connector Kit	52.97	63.65
19	360252	Feedline Connector Kit	14.31	17.19
20	360253	Drive Shaft Kit	33.97	40.82
21	LLC55PMB	Wheel Screw Kit	7.43	8.93
22*	360255	Screw Kit	16.38	19.68
23	360419	Thrust Hose Kit	19.24	23.12
24	360258	Rubber Button Kit	2.16	2.60
25	360414	Turbine Housing Kit	30.35	36.47
26	360260	Venturi Manifold Kit	23.28	27.97
27	360416	Water Management Kit	20.24	24.32
28	360420	Turbine Hose Kit	9.58	11.51
29	360417	Tune Up Kit	213.40	256.42
30	360431	Hose Assy	519.85	624.65
31	360429	Leader Hose, 2.5 Ft.	56.31	67.66
32	360430	Leader Hose 7.5 Ft.	89.57	107.63
33	360266	Hard Feedline Hose Kit, 10 Ft.	152.60	183.36
34	E24	Debris Screen	15.36	18.46
35	LL23PM	Threaded Wall Adapter	14.73	17.70
36	EB10G	Sweep Hose Wear Ring	19.42	23.34
37	360270	Feed Line Float	CALL	CALL
38*	360268	Feed Line O-Ring Kit	11.56	13.89

Item	Part No.	Description	US List	Can List
39	360428	Backup Valve Kit	135.19	162.44
40	360421	Scrubber Cover Kit	31.56	37.92
41	360418	SS Weight Kit	14.68	17.64
42	360415	Manifold Kit	62.97	75.66
43	360434	Axle Replacement Kit	52.81	63.46
44	EC64	Wheel Washer Kit	9.09	10.92
45*	360436	Sweep Hose Cap	12.65	15.20
46	360392	In-Line Filter Assembly	61.20	73.54
47*	360437	Replacement In-line Filter Screen Kit	7.56	9.08
*	360320	Quick Disconnect Hose Connector Kit	6.05	7.27
*	360318	Sweep Tail Quick Connect	4.70	5.65

### INCLUDED IN RACER LS TUNE-UP KIT

29	360417	Kit Includes: Bag (1), Driveshaft (1), Wheel Bearings (4), Driveshaft Bearings (2), Scrubber Bearing (1), Large Tires (2), Scrubber (1), Small Wheel (2), Needle Bearing (2), Wheel Screws (2), 1/2" Screws (2), Hubcaps (2)	213.40	256.42
----	--------	---	--------	--------

Note: (\*) Not shown

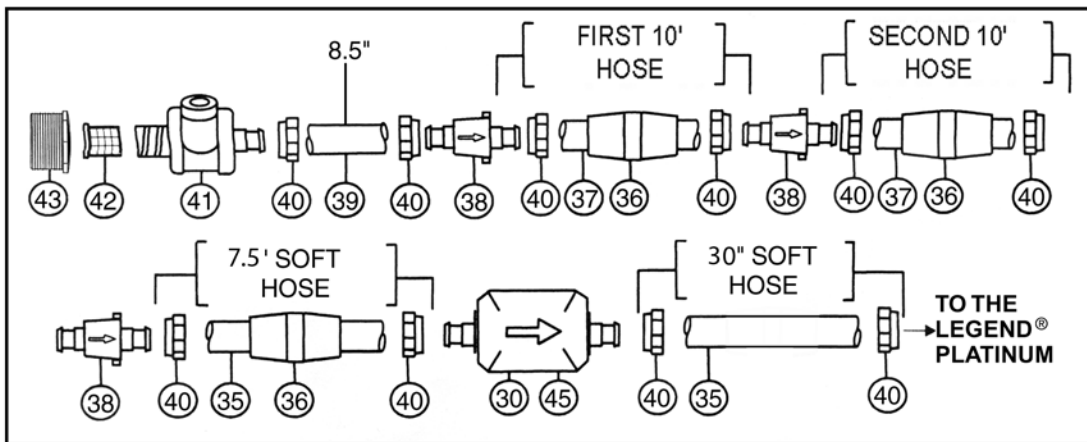
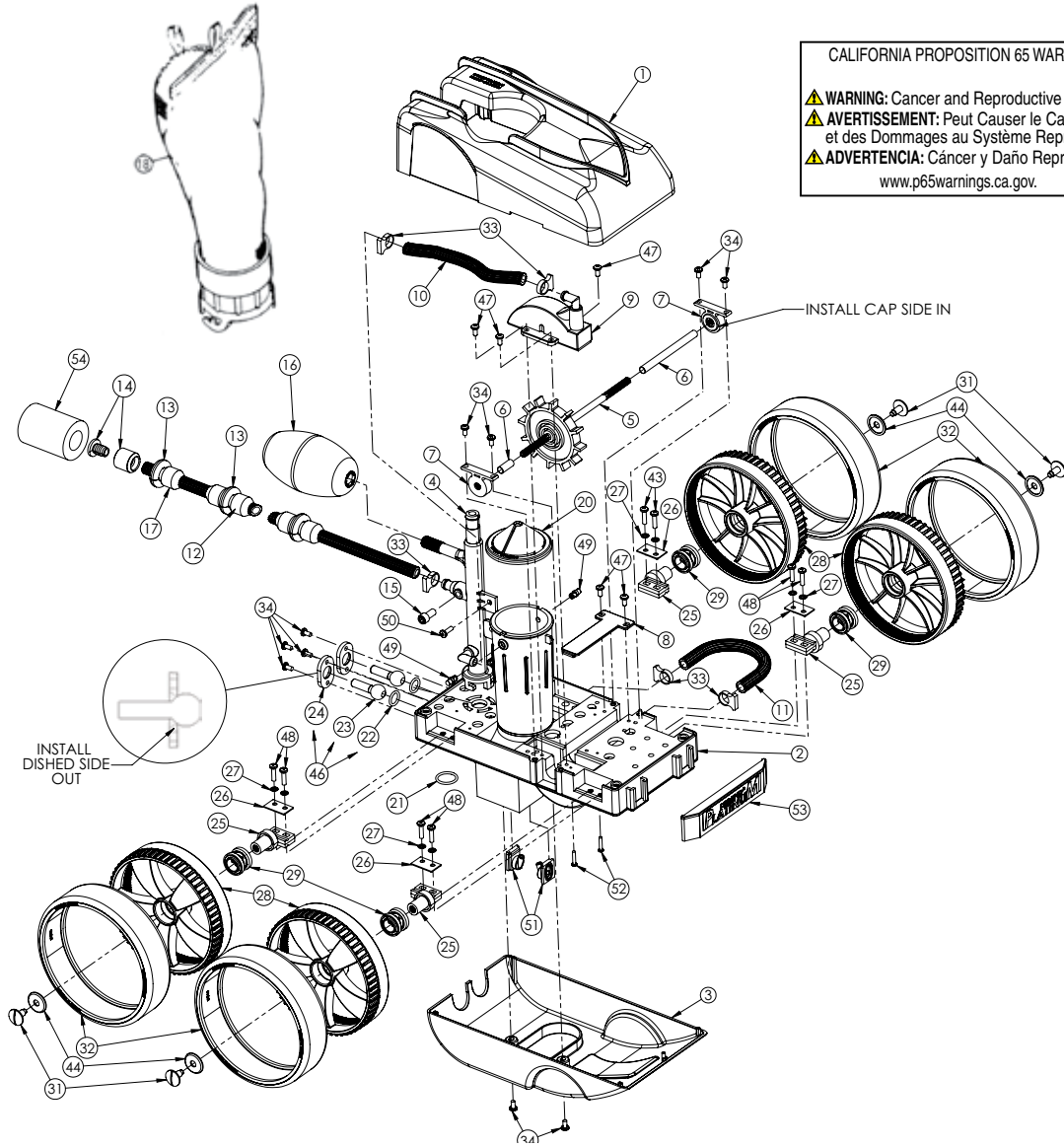
CALIFORNIA PROPOSITION 65 WARNING

▲ **WARNING:** Cancer and Reproductive Harm.  
▲ **AVERTISSEMENT:** Peut Causer le Cancer et des Dommages au Système Reproducteur.  
▲ **ADVERTENCIA:** Cáncer y Daño Reproductivo.

www.p65warnings.ca.gov. PA620174A

# KREEPY KRAULY® PLATINUM™

## CLEANER REPLACEMENT PARTS - 2012 MODEL



# KREEPY KRAULY® PLATINUM™ (CONT'D)

## CLEANER REPLACEMENT PARTS - 2012 MODEL

Item	Part No.	Qty.	Description	US List	Can. List
<b>PLATINUM REPLACEMENT PARTS</b>					
1	LLU5PM	1	Top Cover - Gray	184.23	221.37
2	LLU145N	1	Main Frame - White	2032.72	2442.52
2	LLU145NG	1	Main Frame - Gray	CALL	CALL
3	EU10N	1	Bottom Cover - White	103.59	124.47
3	LLU10NG	1	Bottom Cover - Gray	103.59	124.47
4	LLU6	1	Feed Mast with O-Ring - White	72.37	86.96
4	LLU6G	1	Feed Mast with O-Ring - Gray	87.96	105.69
5	EC86	1	Turbine Drive Shaft - Complete	56.52	67.91
6	EC83	1	Turbine Spacers	4.07	4.89
7	EC80	2	Turbine Bearings - Gray	55.31	66.46
8	EA40	1	Turbine Shaft Shield - White	12.45	14.96
8	LLA40G	1	Turbine Shaft - Gray	CALL	CALL
9	EC110	1	Turbine Shaft w/ Elbow - White	20.64	24.80
9	LLC110PM	1	Turbine Cover w/ Elbow - Gray	CALL	CALL
10	EX120	1	Turbine Cover Hose - 9 in. White	CALL	CALL
10	LLX120	1	Turbine Cover Hose - 9 in. - Gray	CALL	CALL
11	EC120	1	Venturi Jet - 73/4 in. - White	2.94	3.53
11	LLC120G	1	Venturi Jet - 73/4 in. - White	4.07	4.89
12	EB5L	1	Sweep Hose Complete - White	55.06	66.16
12	LLB5G	1	Sweep Hose Complete - Gray	81.26	97.64
13	EB10G	5	Sweep Hose - Wear Ring	19.42	23.34
14	EB25	1	Sweep Hose -Jet w/ Collar - White	5.83	7.01
14	LLB25PM	1	Sweep Hose - Jet w/ Collar - Gray	12.06	14.49
15	EB20	1	Sweep Hose Adj. Screw - White	4.72	5.67
15	LLB20G	1	Sweep Hose Adj. Screw - Gray	CALL	CALL
16	EA20	1	Ballast Float - White	CALL	CALL
16	LLA20G	1	Ballast Float - Gray	13.36	16.05
17	EH07	4	Sweep Hose - Hose Sleeve - White	7.57	9.10
17	LLH07PM	4	Sweep Hose - Hose Sleeve - Gray	10.26	12.33
18	EU15	1	Coarse Mesh Bag - Blue/White Collar	78.25	94.03
18	EU15G	1	Coarse Mesh Bag - Blue/Gray Collar	79.57	95.61
18	EU16	1	Fine Mesh Bag - Velcro Brand Fastner	61.42	73.80
18	EU16G	1	Fine Mesh Bag - Velcro Brand Fastner - Gray	69.89	83.98
19	360002	1	Fine Mesh Bag - White Collar	79.39	95.40
19	360009	1	Fine Mesh Bag - Gray Collar	79.40	95.41
20	EU9	1	Debris Valve	5.73	6.89
21	EU7	2	O-Ring for Feed Mast	2.48	2.98
22	E18	2	O-Ring for Thrust Jet	4.26	5.12
23	360027	2	Thrust Jets - White	CALL	CALL
23	360028	2	Thrust Jets - Gray	CALL	CALL
24	EC135	2	Thrust Jet Plates - White	8.31	9.99
24	LLC135G	2	Thrust Jet Plates - Gray	17.57	21.11
25	EC65	4	Axle - Large Wheels	7.78	9.35
26	EC70	8	Axle Plate	3.15	3.79
27	EC45	4	Axle - Lock Washer	5.05	6.07
28	370406Z	4	Wheel w/out Bearings - Gray	63.04	75.75
29	EC60	2	Wheel Bearings Only - White	30.55	36.71
30	E10	1	Back-Up Valve - White	151.20	181.68
30 *	LL10PM	1	Back-Up Valve - Gray	155.54	186.90
31	MC55G	5	Wheel Screw - Gray	CALL	CALL
32	370405Z	1	Wheel - Rubber Tire - Black	40.31	48.44
33	EB15	5	Hose Clamp	4.35	5.23

Item	Part No.	Qty.	Description	US List	Can. List
34	EC40	8	Screw	4.69	5.64
35	LLD50	1	Feed Hose - Clear soft 10 ft.	CALL	CALL
35 *	LLD50PM	1	Feed Hose - Gray soft 10 ft.	81.61	98.06
36	ED10P	10	Float For Feed Hose - White	10.71	12.87
36 *	LLD10PM	10	Float For Feed Hose - Gray	13.17	15.83
37	LLD45	2	Feed Hose - 10 ft. - White	46.09	55.38
37 *	LLD45PM	2	Feed Hose - 10 ft. - Gray	104.68	125.78
38	ED05	2	Swivel - Feed Hose - White	23.53	28.27
38 *	LLD05PM	2	Swivel - Feed Hose - Gray	34.33	41.25
39	LLU1	1	Adapter Hose 8 1/2 in. - White	8.31	9.99
39	LLU1PM	1	Adapter Hose 8 1/2 in. - Gray	9.32	11.20
40	ED15	8	Mender Nut - plastic - White	12.30	14.78
40 *	LLD15PM	8	Mender Nut - plastic - Gray	7.56	9.08
41 *	LLW22PM	1	Wall Fitting - Gray	77.96	93.68
41	EW22	1	Wall Fitting - White	56.38	67.75
41	LL25PM	1	Pressure Relief Valve - Gray	22.87	27.48
41	E25	1	Pressure Relief Valve - White	22.10	26.56
42	E24	1	Screen - Wall Fitting	15.36	18.46
43	LL23PM	1	Quick Disconnect Adapter - Gray	14.73	17.70
43	E23	1	Quick Disconnect Adapter - White	7.43	8.93
44	EC64	2	Wheel - Plastic Washer	9.09	10.92
45	EG15	1	Gears - for Back-Up Valve	129.10	155.13
46	360127	1	Thrust Jet Repair Kit includes: (White) E18, EC130, EC135	CALL	CALL
46	360128	1	Thrust Jet Repair Kit includes: (Gray) E18, EC130G, LLC135G	CALL	CALL
47	EA30	5	Screw for EA40 or LLA40G and EC110 or LLC110PM	3.44	4.13
48	EU76	8	Axle Bolt	5.00	6.01
49	EU147	2	Snap Fit Vac Tube Posts - White	9.16	11.01
49	LLU147G	2	Snap Fit Vac Tube Posts - Gray	9.86	11.85
50	EU79	1	Nut & Bolt - Feed Mast to Vac Tube	8.83	10.61
51	EU80	2	Venturi Jet - White	7.31	8.78
51	LLU8G	2	Venturi Jet - Gray	22.20	26.68
52	EU80	2	Screw - Cover to Frame	7.31	8.78
53	LLU81PM	1	Front Bumper - White	37.54	45.11
53	LLU81PMG	1	Front Bumper - Gray	44.81	53.84
54	370017	1	Sweep Hose - Scrubber	4.82	5.79
<b>NOT SHOWN</b>					
	JVP8		Pressure Stick w/o Gauge	47.05	56.54
	15060-0000T		Pressure Gauge for JVP8	64.53	77.54
	LL209		Complete Hose Kit, White	504.46	606.16
	LL209PMG		Complete Hose Kit, Gray	921.32	1107.06

\* Recommended for stock.

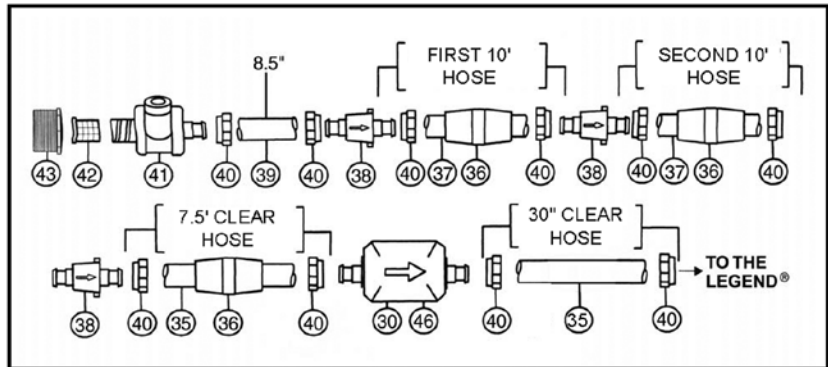
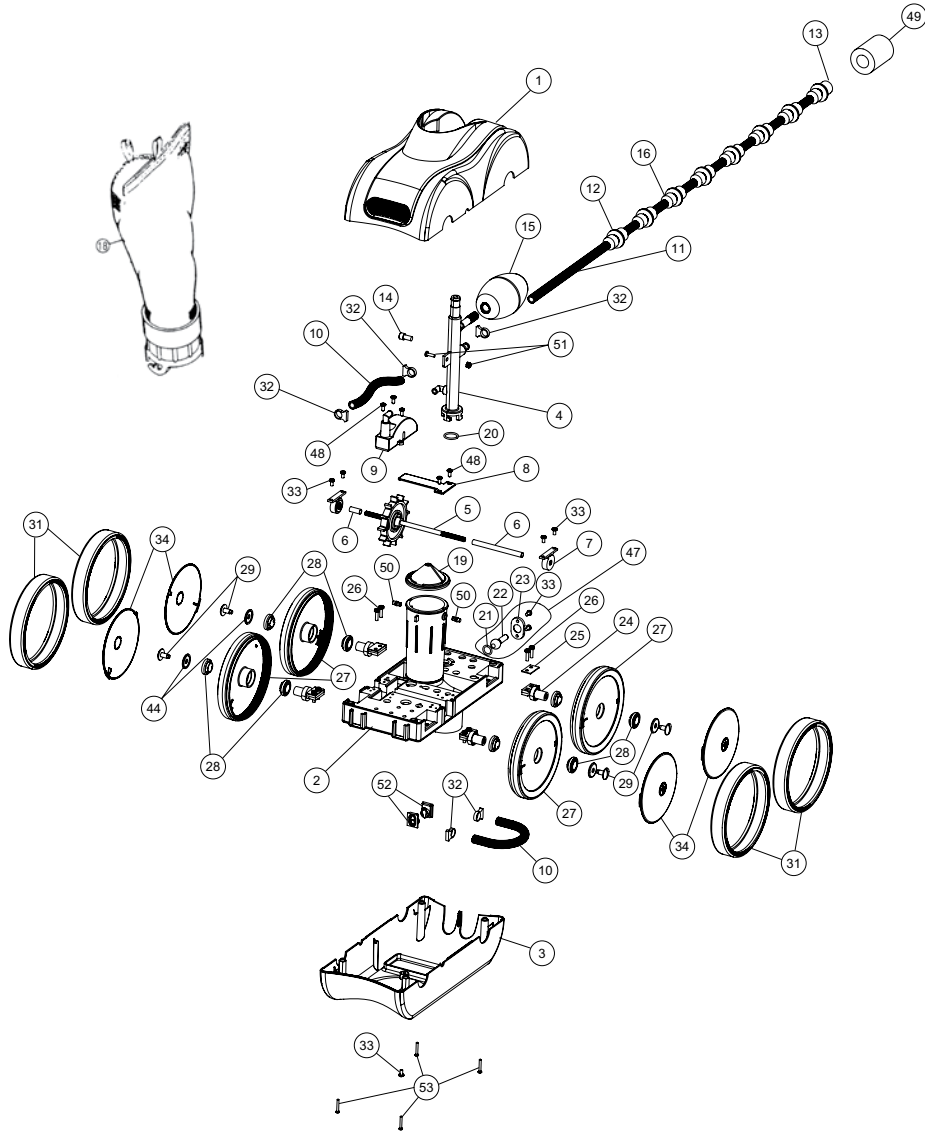
CALIFORNIA PROPOSITION 65 WARNING

⚠ **WARNING:** Cancer and Reproductive Harm.  
⚠ **AVERTISSEMENT:** Peut Causer le Cancer et des Dommages au Système Reproducteur.  
⚠ **ADVERTENCIA:** Cáncer y Daño Reproductivo.

[www.p65warnings.ca.gov](http://www.p65warnings.ca.gov)
PR02074

# KREEPY KRAULY® LEGEND®

## LL505G AND LL505GG CLEANER REPLACEMENT PARTS



**CALIFORNIA PROPOSITION 65 WARNING**

⚠ **WARNING:** Cancer and Reproductive Harm.  
 ⚠ **AVERTISSEMENT:** Peut Causer le Cancer et des Dommages au Système Reproducteur.  
 ⚠ **ADVERTENCIA:** Cáncer y Daño Reproductivo.  
[www.p65warnings.ca.gov](http://www.p65warnings.ca.gov)

# KREEPY KRAULY® LEGEND® (CONT'D)

## LL505G AND LL505GG CLEANER REPLACEMENT PARTS

Item	Part No.	Qty.	Description	US List	Can List
<b>LEGEND 4 WHEEL REPLACEMENT PARTS</b>					
1	360003	1	Top Cover	136.17	163.62
2	LLU145N	1	Main Frame	2032.72	2442.52
2	360010	1	Main Frame - Gray	1602.72	1925.83
3	360004	1	Bottom Cover	99.60	119.68
3	360011	1	Bottom Cover - Gray	99.64	119.73
4	LLU6	1	Feed Mast w/ O-Ring - White	72.37	86.96
4	LLU6G	1	Feed Mast w/ O-Ring - Gray	87.96	105.69
5	EC86	1	Turbine Drive Shaft - Complete	56.52	67.91
6	EC83	2	Turbine Spacers	4.07	4.89
7	EC80	2	Turbine Bearings	55.31	66.46
8	EA40	1	Turbine Shaft Shield	12.45	14.96
9	EC110	1	Turbine Cover w/ Elbows	20.64	24.80
10	EC120	2	Turbine/Venturi Hose 7-3/4 in. length	2.94	3.53
10	LLC120G	2	Turbine/Venturi Hose 7-3/4 in. length - Gray	4.07	4.89
11	EB5L	1	Sweep Hose - Complete	55.06	66.16
11	LLB5G	1	Sweep Hose - Complete - Gray	81.26	97.64
12	EB10	9	Sweep Hose - Wear Ring	19.41	23.32
13	EB25	1	Sweep Hose - Jet w/ Collar	5.83	7.01
13	LLB25PM	1	Sweep Hose - Jet w/ Collar - Gray	12.06	14.49
14	370198	1	Sweep Hose - Adjustment Screw	4.47	5.37
15	EA20	1	Ballast Float	9.20	11.05
15	LLA20G	1	Ballast Float - Gray	13.36	16.05
16	EH07	1	Sweep Hose - Hose Sleeve	7.57	9.10
16	LLH07PM	4	Sweep Hose - Hose Sleeve - Gray	10.26	12.33
17	EU15	1	Coarse Mesh Bag - Blue (Optional - not shown)	78.25	94.03
17	EU15G	1	Coarse Mesh Bag - Blue/Gray Collar (Optional - not shown)	79.57	95.61
18	360002	1	Fine Mesh Bag - Mechanical Lock	79.39	95.40
18	360009	1	Fine Mesh Bag - Gray - Mechanical Lock	79.40	95.41
18	EU16	1	Fine Mesh Bag - Velcro Brand Fastener	61.42	73.80
18	EU16G	1	Fine Mesh Bag - Velcro Brand Fastener - Gray	69.89	83.98
19	EU9	1	Debris Valve	5.73	6.89
20	EU7	1	O-Ring for Feed Mast	2.48	2.98
21	E18	1	O-Ring for Thrust Jet	4.26	5.12
22	EC130	1	Thrust Jet	19.53	23.47
23	EC135	1	Thrust Jet - Plate	8.31	9.99
23	LLC135G	1	Thrust Jet - Plate - Gray	17.57	21.11
24	EC65	4	Axle - Large Wheels	7.78	9.35
25	EC70	4	Axle Plate	3.15	3.79
26	370258Z	8	Axle Screw w/ Lock Washer	7.60	9.13
27	360006	4	Wheel w/out Bearings	24.10	28.96
28	EC60	8	Wheel Bearings - Only	30.55	36.71
29	EC55	4	Wheel Screw Plastic	15.47	18.59
29	LLC55PM	4	Wheel Screw Plastic - Gray	16.79	20.17
30	E10	1	Back-up Valve	151.20	181.68
30	LL10PM	1	Back-up Valve - Gray	155.54	186.90
31	360007	4	Wheel - Rubber Tire	19.84	23.84
31	360012	4	Wheel - Gray Tire	19.83	23.83
32	EB15	5	Hose Clamp	4.35	5.23
33	EC40	7	Screw	4.69	5.64

Item	Part No.	Qty.	Description	US List	Can List
34	360005	4	Hub Cap	7.09	8.52
34	360013	4	Hub Cap - Gray	7.09	8.52
35	LD50	1	Feed Hose - Soft - 10 ft.	CALL	CALL
35	LLD50PM	1	Feed Hose - Gray Soft - 10 ft.	81.61	98.06
36	ED10P	10	Float - Feed Hose	10.71	12.87
36	LLD10PM	10	Float - Feed Hose - Gray	13.17	15.83
37	LD45	2	Feed Hose - White - 10 ft.	47.65	57.26
37	LLD45PM	2	Feed Hose - Gray - 10 ft.	104.68	125.78
38	ED05	2	Swivel - Feed Hose	23.53	28.27
38	LLD05PM	2	Swivel - Feed Hose - Gray	34.33	41.25
39	LLU1	1	Adapter Hose - White 8-1/2 in.	8.31	9.99
39	LLU1PM	1	Adapter Hose - White 8-1/2 in. - Gray	9.32	11.20
40	ED15	8	Mender Nut - Plastic - Feed Hose	12.30	14.78
40	LLD15PM	8	Mender Nut - Plastic - Feed Hose - Gray	7.56	9.08
41	EW22	1	Wall Fitting Complete	56.38	67.75
41	LLW22PM	1	Wall Fitting - Gray Complete	77.96	93.68
41	E25	1	Pressure Relief Valve - White	22.10	26.56
41	LL25PM	1	Pressure Relief Valve - Gray	22.87	27.48
42	E24	1	Screen - Wall Fitting	15.36	18.46
43	E23	1	Quick Disconnect Adapter	7.43	8.93
43	LL23PM	1	Quick Disconnect Adapter - Gray	14.73	17.70
44	EC64	4	Wheel - Plastic Washer	9.09	10.92
-	EH09C	1	Sweep Hose Weight (Optional - not shown)	24.09	28.95
46	EG15	1	Gears - for Back-Up Valve	129.10	155.13
47	EC131	1	Thrust Jet Repair Kit - Includes: EC130, EC135 and E18	10.10	12.14
47	360014	1	Thrust Jet Repair Kit - Includes: EC130, LLC135 and E19	35.92	43.16
48	EA30	5	Screw for EA40 and EC110	3.44	4.13
49	370017	1	Sweep Hose - Scrubber	4.82	5.79
50	EU147	2	Snap Fit Vac Tube Posts	9.16	11.01
50	LLU147G	2	Snap Fit Vac Tube Posts - Gray	9.86	11.85
51	EU79	1	Nut & Bolt - Feed Mast to Vac Tube	8.83	10.61
52	LLU8	2	Venturi Jets	18.14	21.80
52	LLU8G	2	Venturi Jets - Gray	22.20	26.68
53	EU80	4	Screw - Top and Bottom Cover	7.31	8.78

### ACCESSORIES

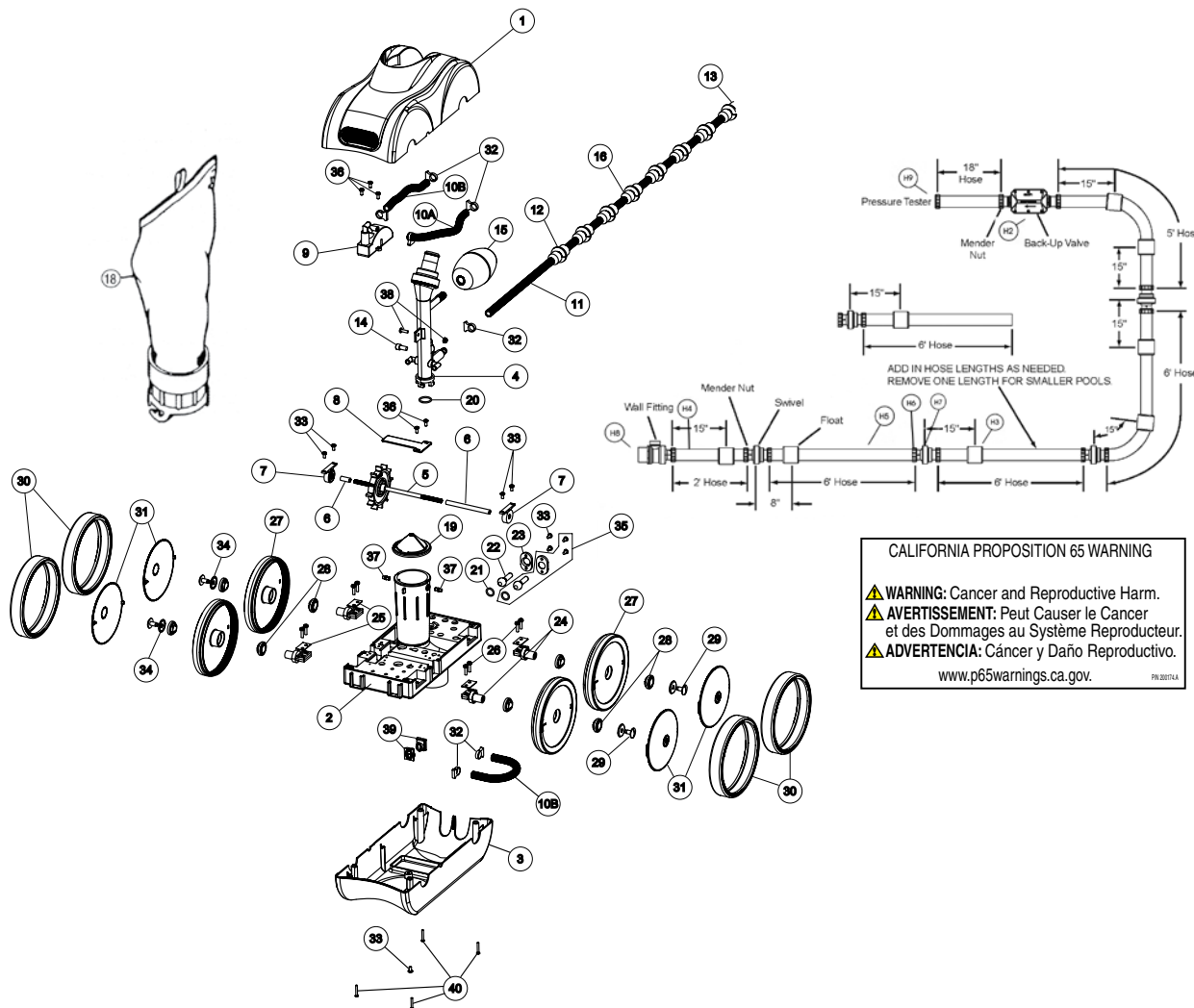
EH09C	1	Sweep Hose Weight (Optional)	24.09	28.95
LL209	1	Legend Hose Kit	504.46	606.16
370017		Sweep Hose Scrubber	4.82	5.79
JVP8		Pressure Stick w/o Gauge	47.05	56.54
15060-0000T		Pressure Gauge	64.53	77.54
EU13		Step Deflector	119.18	143.21

#### CALIFORNIA PROPOSITION 65 WARNING

⚠️ **WARNING:** Cancer and Reproductive Harm.  
 ⚠️ **AVERTISSEMENT:** Peut Causer le Cancer  
 et des Dommages au Système Reproducteur.  
 ⚠️ **ADVERTENCIA:** Cáncer y Daño Reproductivo.  
[www.p65warnings.ca.gov](http://www.p65warnings.ca.gov)

# KREEPY KRAULY® LEGEND® II

## LX5000G AND LX5000GG CLEANER REPLACEMENT PARTS



CALIFORNIA PROPOSITION 65 WARNING

▲ **WARNING:** Cancer and Reproductive Harm.  
▲ **AVERTISSEMENT:** Peut Causer le Cancer et des Dommages au Système Reproducteur.  
▲ **ADVERTENCIA:** Cáncer y Daño Reproductivo.

[www.p65warnings.ca.gov](http://www.p65warnings.ca.gov)

Item	Part No.	Qty.	Description	US List	Can. List
<b>KREEPY KRAULY LEGEND II REPLACEMENT PARTS</b>					
1	360003	1	Top Cover	136.17	163.62
2	LXU145N	1	Main Frame	CALL	CALL
2	360016	1	Main Frame Gray	1852.23	2225.64
3	360004	1	Bottom Cover	99.60	119.68
3	360011	1	Bottom Cover Gray	99.64	119.73
4	LXU6	1	Feed Mast w/ O-Ring & Swivel Gray	77.75	93.42
4	360017	1	Feed Mast w/ O-Ring & Swivel	82.05	98.59
5	EC86	1	Turbine Drive Shaft - Complete	56.52	67.91
6	EC83	2	Turbine Spacers	4.07	4.89
7	EC80	2	Turbine Bearings	55.31	66.46
8	EA40	1	Turbine Shaft Shield	12.45	14.96
9	LXC110	1	Turbine Cover w/Elbows	36.16	43.45
10A & B	EC120	2 & 1	Turbine/Venturi Hose 7-3/4 in. length	2.94	3.53
10A & B	LLC120G	2 & 1	Turbine/Venturi Hose 7-3/4 in. length - Gray	4.07	4.89

Item	Part No.	Qty.	Description	US List	Can. List
11	EB5L	1	Sweep Hose - Complete	55.06	66.16
11	LLB5G	1	Sweep Hose - Complete - Gray	81.26	97.64
12	EB10	9	Sweep Hose - Wear Ring	19.41	23.32
13	EB25	1	Sweep Hose - Jet w/Collar	5.83	7.01
13	LLB25PM	1	Sweep Hose - Jet w/Collar - Gray	12.06	14.49
14	370198	1	Sweep Hose Adjustment Screw	4.47	5.37
15	EA20	1	Ballast Float	9.20	11.05
15	LLA20G	1	Ballast Float - Gray	13.36	16.05
16	EH07	4	Sweep Hose - Hose Sleeve	7.57	9.10
16	LLH07PM	4	Sweep Hose - Hose Sleeve - Gray	10.26	12.33
17	EU15	1	Coarse Mesh Bag-Blue (Optional - not shown)	78.25	94.03
17	EU15G	1	Coarse Mesh Bag - Blue/Gray Collar (Optional - not shown)	79.57	95.61



# KREEPY KRAULY® LEGEND® II (CONT'D)

## LX5000G AND LX5000GG CLEANER REPLACEMENT PARTS

Item	Part No.	Qty.	Description	US List	Can. List
<b>KREEPY KRAULY LEGEND II REPLACEMENT PARTS</b>					
18	360002	1	Fine Mesh Bag - Mechanical Lock	79.39	95.40
18	360009	1	Fine Mesh Bag Gray - Mechanical Lock	79.40	95.41
18	EU16	1	Fine Mesh Bag - Velcro Brand Fastener	61.42	73.80
18	EU16G	1	Fine Mesh Bag - Velcro Brand Fastener - Gray	69.89	83.98
19	EU9	1	Debris Valve	5.73	6.89
20	EU7	1	O-ring for Feed Mast	2.48	2.98
21	E18	1	O-ring for Thrust Jet	4.26	5.12
22	EC130	1	Thrust Jet	19.53	23.47
23	EC135	1	Thrust Jet - Plate	8.31	9.99
23	LLC135G	1	Thrust Jet - Plate - Gray	17.57	21.11
24	EC65	4	Axle - Large Wheels	7.78	9.35
25	EC70	4	Axle Plate	3.15	3.79
26	370258Z	8	Axle Screw w/ Lock Washer	7.60	9.13
27	360006	4	Wheel w/o Bearings	24.10	28.96
28	EC60	8	Wheel Bearings - Only	30.55	36.71
29	EC55	4	Wheel Screw - Plastic	15.47	18.59
29	LLC55PM	4	Wheel Screw - Plastic - Gray	16.79	20.17
30	360007	4	Wheel - Rubber Tire	19.84	23.84
30	360012	4	Wheel - Gray Tire	19.83	23.83
31	360005	4	Hub Cap	7.09	8.52
31	360013	4	Hub Cap - Gray	7.09	8.52
32	EB15	7	Hose Clamp	4.35	5.23
33	EC40	7	Screw	4.69	5.64
34	EC64	4	Wheel - Plastic Washer	9.09	10.92
35	EC131	1	Thrust Jet Repair Kit, includes: EC130, EC135 and E18	10.10	12.14
35	360014	1	Thrust Jet Repair Kit - Gray, includes: EC130, LLC135 and E19	35.92	43.16
36	EA30	5	Screw for EA40 and LXC110	3.44	4.13
37	EU147	2	Snap Fit Vac Tube Posts	9.16	11.01
37	LLU147G	2	Snap Fit Vac Tube Posts - Gray	9.86	11.85
38	EU79	1	Nut & Bolt - Feed Mast to Vac Tube	8.83	10.61
39	LXU8	2	Venturi Jets	31.79	38.20
40	EU80	4	Screw - Top and Bottom Cover	7.31	8.78
41	370017	1	Sweep Hose - Scrubber	4.82	5.79
-	EH09C	1	Sweep Hose Weight (Optional - not shown)	24.09	28.95

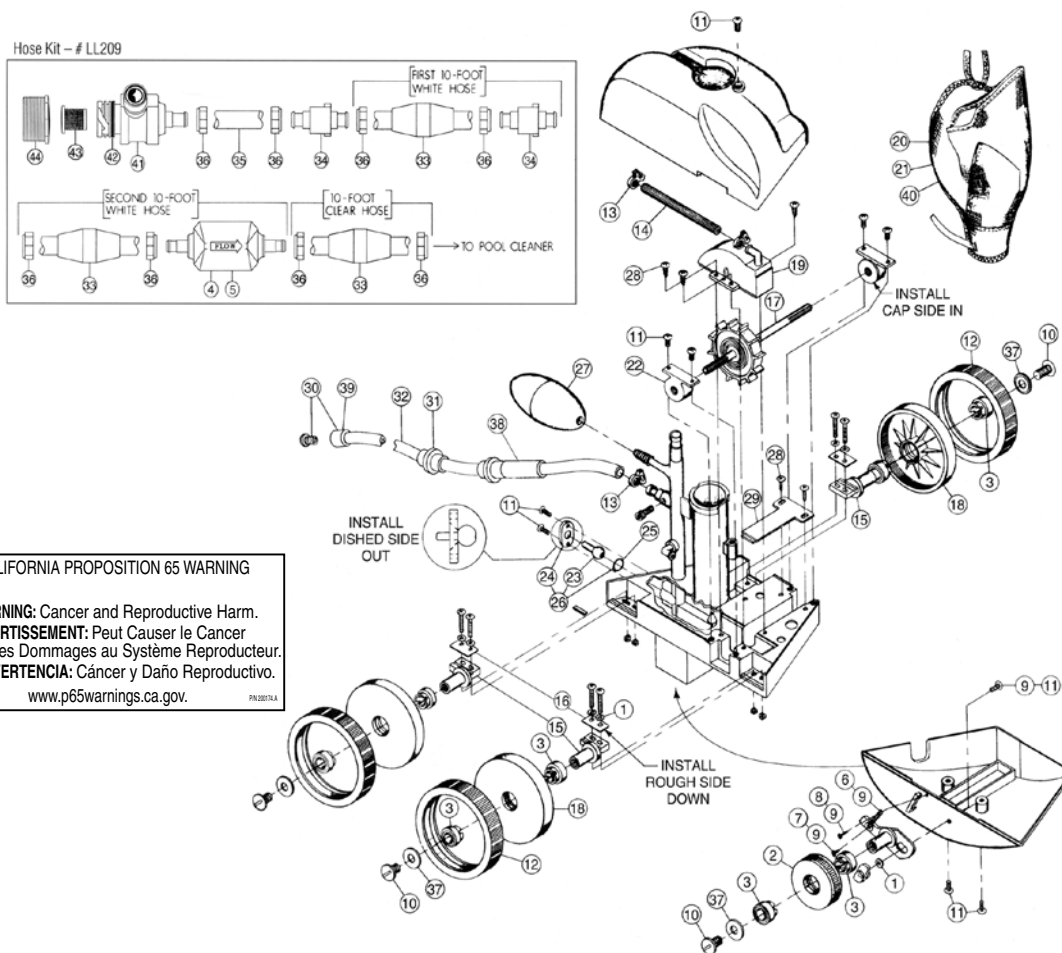
Item	Part No.	Qty.	Description	US List	Can. List
<b>LX10 REPLACEMENT PARTS</b>					
H2	LX10	1	Back-Up Valve - Low Pressure	155.59	186.96
H2	360018	1	Back-Up Valve - Low Pressure - Gray	151.86	182.47
H2	E15	6	Back-Up Valve - Screw Housing Body	8.05	9.67
Inside H2	E13	1	Back-Up Valve - Housing O-Ring	2.48	2.98
Inside H2	E14	1	Back-Up Valve - O-Ring Gear Assembly	2.48	2.98
Inside H2	LX16	1	Back-Up Valve - Gear Assembly	129.10	155.13
H3	LXD10	7	Feed Hose Float - White	9.54	11.46
H3	360019	7	Feed Hose Float - Gray	23.67	28.44
H4	LX18	1	Feed Hose - White - 2 ft. Section	17.27	20.75
H4	360021	1	Feed Hose - Gray - 2 ft. Section	17.27	20.75
H5	LX17	4	Feed Hose - White - 6 ft. Section	39.17	47.07
H5	360020	4	Feed Hose - Gray - 6 ft. Section	47.86	57.51
H6	LX20	12	Feed Hose Mender - White w/ O-ring #0252	9.55	11.48
H6	360022	12	Feed Hose Mender - Gray w/ O-ring #0253	20.59	24.74
H7	LX19	4	Feed Hose Swivel - White	30.55	36.71
H7	360023	4	Feed Hose Swivel - Gray	76.69	92.15
H8	LXW22	1	Wall Fitting Complete - White	47.37	56.92
H8	360024	1	Wall Fitting Complete - Gray	55.51	66.70
Inside H8	E23	1	Wall Fitting Adapter - White	7.43	8.93
Inside H8	LL23PM	1	Wall Fitting Adapter - Gray	14.73	17.70
Inside H8	E21	2pk	Wall Fitting O-ring	6.00	7.21
Inside H8	E24	1	Wall Fitting Screen	15.36	18.46
Inside H8	LX25	1	Wall Fitting - Valve Assembly - White	22.20	26.68
Inside H8	360025	1	Wall Fitting - Valve Assembly - Gray	47.68	57.29
H9	LX26	1	Pressure Tester	33.54	40.30
<b>ACCESSORIES</b>					
	EH09C	1	Sweep Hose Weight (optional)	24.09	28.95
	LX509		Feed Hose Complete - Gray	CALL	CALL
	LX209		Feed hose Complete - White	750.51	901.81

CALIFORNIA PROPOSITION 65 WARNING

▲ **WARNING:** Cancer and Reproductive Harm.  
▲ **AVERTISSEMENT:** Peut Causer le Cancer et des Dommages au Système Reproducteur.  
▲ **ADVERTENCIA:** Cáncer y Daño Reproductivo.

www.p65warnings.ca.gov. PMS2017A

# PENTAIR REPLACEMENT PARTS FOR POLARIS® POOL CLEANERS



**CALIFORNIA PROPOSITION 65 WARNING**

⚠️ **WARNING:** Cancer and Reproductive Harm.  
 ⚠️ **AVERTISSEMENT:** Peut Causer le Cancer et des Dommages au Système Reproducteur.  
 ⚠️ **ADVERTENCIA:** Cáncer y Daño Reproductivo.  
[www.p65warnings.ca.gov](http://www.p65warnings.ca.gov)

Item	Pentair Part No.	Polaris Part No.	Qty.	Description	US List	Can. List
<b>REPLACEMENT PARTS FOR POLARIS</b>						
1	EC45	C45	5	Lock Washer for LC36	5.05	6.07
2	EC16	C16		Small Wheel - Swing Axle	14.39	17.29
3	EC60	C60	2	Ball Bearing	30.55	36.71
4	E10	G52		Back-up Valve	151.20	181.68
5	EG15	N/A		Gear Assembly - B/U Valve	129.10	155.13
6	EC25	C25	2	Spring for LC36	4.26	5.12
7	EC30	C30	5	Screw for EC25 to Axle	3.44	4.13
8	EC32	C32	5	Screw for EC25 to Body	3.44	4.13
9	EC36H	N/A		Hardware Kit For LC36	CALL	CALL
10	EC55	C55	5	Wheel Screw	15.47	18.59
11	EC40	C40	10	Screw for A5/A10/C36/C80/C130	4.69	5.64
12	EC10	C10		Tire for LC6	26.44	31.77
13	EB15	B15	2	Clamp for Sweep Hose	4.35	5.23
14	EC120	C120		Hose for EC110, 7-3/4 in. Length	2.94	3.53

Item	Pentair Part No.	Polaris Part No.	Qty.	Description	US List	Can. List
15	EC65	C65		Axle - Large (Rear)	7.78	9.35
16	EC70	C70		Axle Plate	3.15	3.79
17	EC86	C86		Drive Shaft - Assembled	56.52	67.91
18	LC6	C6		Wheel - Large	23.87	28.68
19	EC110	C110		Turbine Cover w/ Elbow	20.64	24.80
20	LA16	A16		Sand/Silt Bag	50.22	60.34
21	LA15	A15		Leaf Bag	78.25	94.03
22	EC80	C80	2	Ball Bearings - Turbine	55.31	66.46
23	EC130	N/A	2	Thrust Jet	19.53	23.47
24	EC135	N/A	2	Jet Plate	8.31	9.99
25	E18	N/A	2	O-Ring for EC130	4.26	5.12
26	EC131	C131		Thrust Jet Repair Kit	10.10	12.14
27	EA20	A20		Ballast Float (White)	9.20	11.05
28	EA30	A30	5	Screw for EA40	3.44	4.13
29	EA40	A40		Turbine Shaft Shield	12.45	14.96
30	EB25	B25		Sweep Hose Jet with Collar	5.83	7.01

# PENTAIR REPLACEMENT PARTS (CONT'D)

## FOR POLARIS® POOL CLEANERS

Item	Pentair Part No.	Polaris Part No.	Qty.	Description	US List	Can. List
<b>REPLACEMENT PARTS FOR POLARIS</b>						
31	EB10	B10	5	Wear Ring	19.41	23.32
32	EB5L	B5		Sweep Hose - Complete	55.06	66.16
33	ED10P	D10		Float for Feed Hoses	10.71	12.87
34	ED05	D20		Swivel Feed Hose	23.53	28.27
35	LLU1	N/A		Adapter Hose - White 8-1/2 in.	8.31	9.99
36	ED15	D15	2	Mender Nut	12.30	14.78
37	EC64	C64	2	Wheel Washer	9.09	10.92
38	EH09C	B2		Wheel Sweep Hose	24.09	28.95
39	LB03	N/A		Collar Hose Jet	4.54	5.46
40	LG45	G45	4	Disposable Sand/ Silt Bag	CALL	CALL
41	EW22	9-100-9001		Wall Fitting - Complete	56.38	67.75
42	E21		2	O-Ring for EW22 Wall Fitting	6.00	7.21
43	E24			Screen for Wall Fitting	15.36	18.46
44	E23	6-500-00		Wall Fitting Quick Disconnect Adapter	7.43	8.93
	LD24	D24	4	O-Ring for LD22 & LD23	3.33	4.00
<b>TUNE-UP KIT - L205P</b>						
	L205P	A49		Kit includes	341.91	410.84
	LC6	C6	3	Wheel Large	23.87	28.68
	EC60	C60	4	Ball Bearing - 2-Pk	30.55	36.71
	EC10	C10	3	Rubber Tire	26.44	31.77
	EC65	C65	3	Axle - Large (Rear)	7.78	9.35
	EC16	C16	1	Small Wheel - Swing Axle	14.39	17.29
	EC80	C80	1	Ball Bearings - Turbine - 2-Pk	55.31	66.46
	EC86	C86	1	Turbine Shaft	56.52	67.91
	EC55	C55	1	Wheel Screw - 5-Pk	15.47	18.59
<b>NOT SHOWN</b>						
	JVP8			Pressure Stick w/o Gauge	47.05	56.54
	15060-0000T			Pressure Gauge for JVP8	64.53	77.54
	LC36		1	Axle Swing with T-Bracket	24.50	29.44
	353020	P17	1	Quick Disc Hose Kit, Pump	72.68	87.33
	370017	9-100-3105	1	Sweep Hose, Scrubber - (380/360/280/180)	4.82	5.79
	370024	K16	1	Bag Conversion Kit, w/ Bag - All Purpose	57.79	69.44
	370025	9-100-1014	1	Bag Conversion Kit, w/ Bag - All Purpose (380/360)	56.64	68.06
	370058	N/A	1	UWF Installation Tool	46.44	55.80
	370059	N/A	1	Bag Adaptor - (380/360) <sup>1</sup>	10.89	13.09
	370060	N/A	1	Bag Adaptor - (280) <sup>1</sup>	12.34	14.83
	370073	6-504-00	1	Filter Screen, UWF/QD - (380/360/280/180)	13.27	15.95
	370112	D23	1	Quick Disc Plug NPTM, Plastic	8.27	9.94
	370161	C66	1	Axle LG Wheel - (280/180)	CALL	CALL
	370163	D26	1	Quick Disc FEM, Plastic	23.15	27.82
	370165	G9	1	Coupling, 1-1/2 NPTF X 3/4 in. NPTM - (380/280/180)	15.97	19.19
	370168	P5	1	Volute, Booster Pump	CALL	CALL
	370169	9-100-1132	1	Drive Train Gear Kit (380/360)	35.10	42.18
	370170	9-100-1139	1	Axle Block Kit, Front & Rear - (380/360)	42.11	50.60

Item	Pentair Part No.	Polaris Part No.	Qty.	Description	US List	Can. List
	370171	9-100-1103	1	Turbine Wheel with Bearing (380/360)	22.68	27.25
	370173	9-100-7003	1	Feed Pipe w/o Timer - (380)	CALL	CALL
	370174	P15	1	Impeller 3/4 HP, Pump	CALL	CALL
	370176	9-100-1114	1	Hub Cap - (380/360/340)	2.24	2.69
	370177	9-100-3135	1	Collar, Bag Tie - (360)	5.04	6.06
	370178	9-100-1008	1	Wheel, Double-Side - (380/360)	24.09	28.95
	370179	9-100-1116	1	Wheel, Single-Side - (380/360)	19.67	23.64
	370180	9-100-1007	1	Transfer Pulley Drive Shaft Assy. - (380/360)	36.86	44.29
	370184	K15	1	Leaf Bag - (280) <sup>2</sup>	78.25	94.03
	370185	9-100-1012	1	Leaf Bag - (380/360) <sup>3</sup>	78.25	94.03
	370186	9-100-5107	2	E-Clip SS - (380/360)	2.00	2.40
	370187	P20	1	Plug 1/8 in. NPTM, Pump	3.78	4.54
	370189	9-100-3103	1	Feed Hose 1FT - (360)	7.36	8.84
	370198	B20	1	Adj Screw Sweep Hose - (380/360/280/180)	4.47	5.37
	E25	9-100-9002	1	Pressure Relief Valve - (380/280/180)	22.10	26.56
	EC83	C83	1	Turbine Shaft Tube - (280/180)	4.07	4.89
	EH07	N/A	4	Sweep Hose, Sleeves	7.57	9.10
	L91001017	9-100-1017	1	Belt Kit, Small & Large - (380/360)	57.09	68.60
	LA115	P65	2	Bolt SS, Stand to Bracket And Motor	5.28	6.34
	LA125	P25	2	Nut/Bolt SS For Volute to Bracket	5.08	6.10
	LA45	A45	1	Float Arm Repair Kit - (180)	32.73	39.33
	LBB91001108	9-100-1108	2	Wheel Bearing - (380/360/340)	14.39	17.29
	LC115	C115	2	Elbow for Turbine Cvr or Feed Mast Tube	12.30	14.78
	LC36	C36	1	Swing Axle Kit (280/180)	24.50	29.44
	LD45	D45	1	Feed Hose, 10 ft. Wht - (380/280/180)	47.65	57.26
	LD50	D50	1	Leader Feed Hose Clr 10 ft. - (380/280/180)	CALL	CALL
	LL209	G5	1	Feed Hose Compl, with Back-Up Valve	504.46	606.16
	LX10	9-100-1200	1	Back-Up Valve - (360)	155.59	186.96
	LX17	9-100-3102	1	Feed Hose 6FT - (360)	39.17	47.07
	LX19	9-100-3002	1	Swivel Hose - (360)	30.55	36.71
	LX20	9-100-3109	2	Hose Nut - (360)	9.55	11.48
	LXW22	9-100-3006 9-100-3009	1	Quick Disconnect UWF with Pressure Relief Valve - (360)	47.37	56.92
	370239	P133	4	Quick Connect Fittings for Booster Pump	47.20	56.72

<sup>1</sup> Required to adapt Pentair Bag to 380/360 Includes Debris Valve.

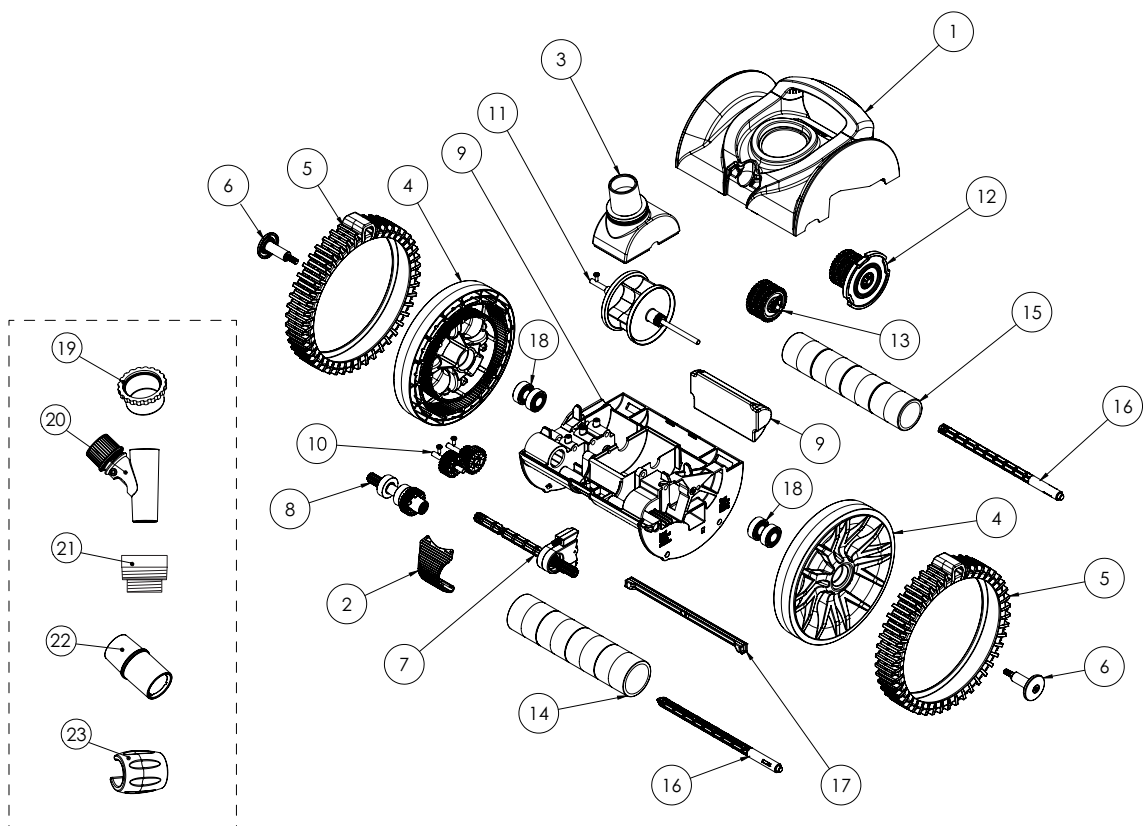
<sup>2</sup> Requires Bag Conversion Kit 370060 on initial replacement conversion kit.

<sup>3</sup> Requires Bag 370059 on initial replacement.

Note: These parts are manufactured by Pentair Water Pool and Spa, Inc. as replacements for designated Zodiac Pool Systems, Inc. ("Zodiac") products. Polaris® is a registered trademark of Zodiac.

# PENTAIR REBEL®

## CLEANER REPLACEMENT PARTS

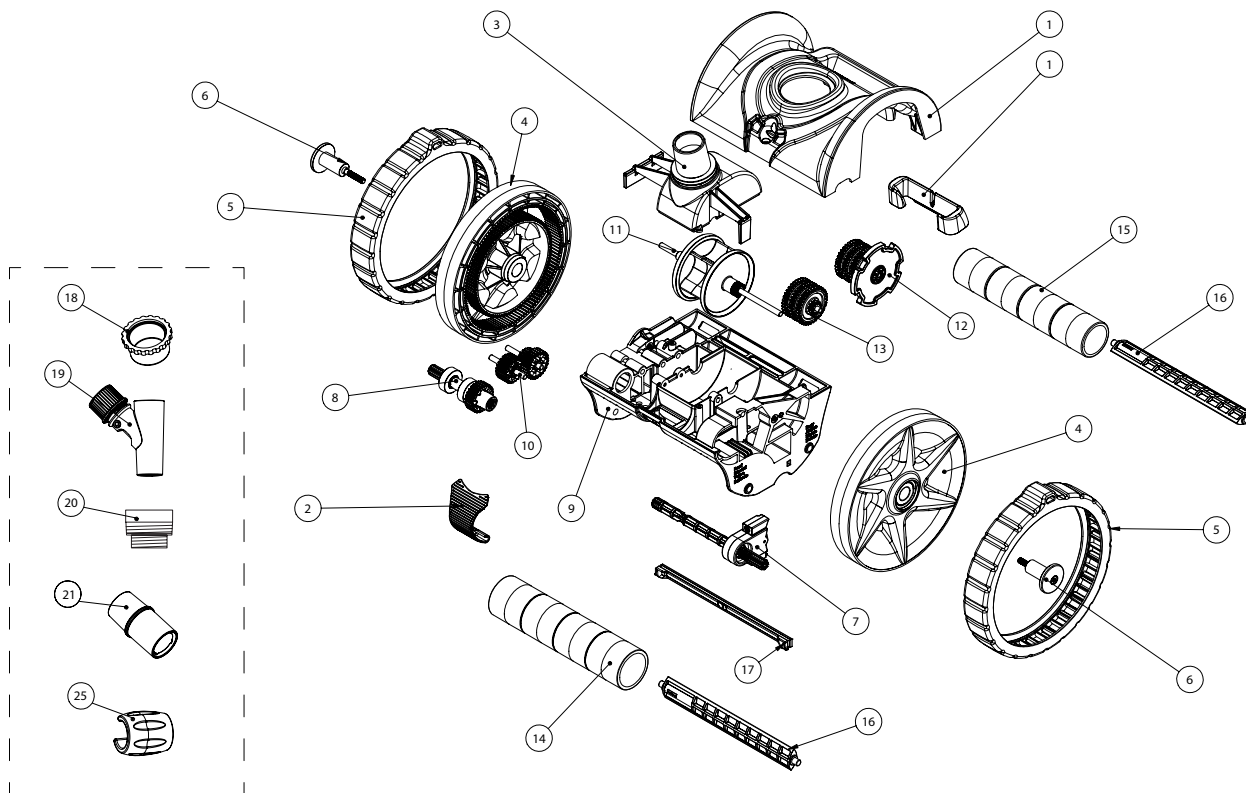


Item	Part No.	Qty.	Description	US List	Can. List
<b>PENTAIR REBEL REPLACEMENT PARTS</b>					
1	360477	1	Top Cover Kit	87.10	104.66
2	360284	1	Buckle Kit	11.58	13.91
3	360453	1	Swivel Kit	40.57	48.75
4	360480	1	Wheel Kit	75.78	91.06
5	360482	1	Tire Kit	102.25	122.86
6	360483	1	Wheel Hub Kit	30.45	36.59
7	360289	1	Left Drive Kit	53.05	63.74
8	360290	1	Right Drive Kit	60.66	72.89
9	360485	1	Chassis Kit	109.94	132.10
10	360292	1	Drive Gear Kit	17.16	20.62
11	360293	1	Turbine Kit	44.56	53.54
12	360294	1	Cam Kit	22.86	27.47
13	360295	1	Cam Gear Kit	22.86	27.47
14	360296	1	Front Roller Kit	53.05	63.74
15	360297	1	Rear Roller Kit	45.62	54.82
16	360487	1	Roller Bar Kit	38.04	45.71
17	360299	1	Wear Bar Kit	CALL	CALL
18	360492	1	Bearing Kit	39.80	47.82
19	41200-0211	1	Valve Cap	CALL	CALL

Item	Part No.	Qty.	Description	US List	Can. List
20	412-0213	1	Regulator Valve	CALL	CALL
21	K12079	1	Threaded Compression Adaptor	15.69	18.85
22	41200-0212	1	Flow Gauge	41.24	49.55
23	360300	1	Hose Float	CALL	CALL
<b>NOT SHOWN</b>					
	GW9530	1	Vacuum Line Door	78.26	94.04
	41201-0236	2	Eyeball Diverter	0.67	0.81
	K12465	1	Hose Protector	11.79	14.17
	K01213	1	Hose Set	339.92	408.45
	360488	1	Leader Hose Replacement	64.42	77.41
	360490		Large Hump Tire	108.01	129.78
	360491		Long Run Cam	CALL	CALL
	360517		Rebel Cleaner Tune-Up Kit (includes items 4, 5, 6, 7 8 & 18)	211.62	254.28

# PENTAIR REBEL® 2018 AND EARLIER MODELS

## CLEANER REPLACEMENT PARTS



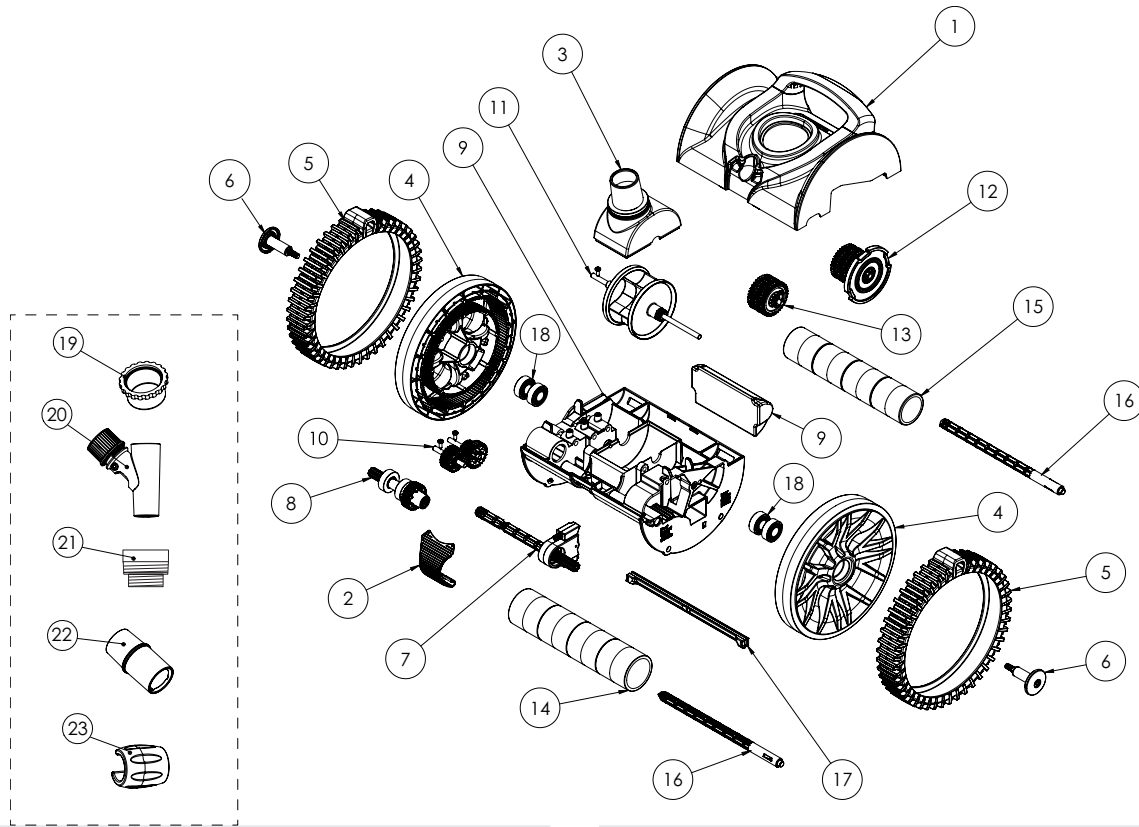
Item	Part No.	Qty.	Description	US List	Can. List
<b>PENTAIR REBEL REPLACEMENT PARTS</b>					
1	360283	1	Top Cover Kit	87.10	104.66
2	360284	1	Buckle Kit	11.58	13.91
3	360285	1	Swivel Kit	CALL	CALL
4	360286	1	Wheel Kit	75.80	91.08
5	360287	1	Tire Kit	102.27	122.89
6	360288	1	Wheel Hub Kit	30.45	36.59
7	360289	1	Left Drive Kit	53.05	63.74
8	360290	1	Right Drive Kit	60.66	72.89
9	360291	1	Bottom Cover Kit	207.85	249.75
10	360292	1	Drive Gear Kit	17.16	20.62
11	360293	1	Turbine Kit	44.56	53.54
12	360294	1	Cam Kit	22.86	27.47
13	360295	1	Cam Gear Kit	22.86	27.47
14	360296	1	Front Roller Kit	53.05	63.74
15	360297	1	Rear Roller Kit	45.62	54.82
16	360298	1	Roller Bar Kit	38.05	45.72
17	360299	1	Wear Bar Kit	CALL	CALL

Item	Part No.	Qty.	Description	US List	Can. List
18	41200-0211	1	Valve Cap	CALL	CALL
19	41200-0213	1	Regulator Valve	81.26	97.64
20	K12079	1	Threaded Compression Adaptor	15.69	18.85
21	41200-0212	1	Flow Gauge	41.24	49.55
25	360300	1	Hose Float	CALL	CALL
<b>NOT SHOWN</b>					
22	GW9530	1	Vacuum Line Door	78.26	94.04
23	41201-0236	2	Eyeball Diverter	0.67	0.81
24	K12465	1	Hose Protector	11.79	14.17
26	K01213	1	Hose Set	339.92	408.45
27	GW7911	1	Leader Hose	19.37	23.27
	360326		Large Hump Tire	108.00	129.77
	360327		Long Run Cam	37.97	45.62
	360516		Rebel Tune-Up Kit (includes items 4, 5, 6, 7 & 8)	211.62	254.28

CALIFORNIA PROPOSITION 65 WARNING  
 ⚠️ WARNING: Cancer and Reproductive Harm.  
 ⚠️ AVERTISSEMENT: Peut Causer le Cancer  
 et des Dommages au Système Reproducteur.  
 ⚠️ ADVERTENCIA: Cáncer y Daño Reproductivo.  
[www.p65warnings.ca.gov](http://www.p65warnings.ca.gov) P102071A

# KREEPY KRAULY® WARRIOR®

## CLEANER REPLACEMENT PARTS



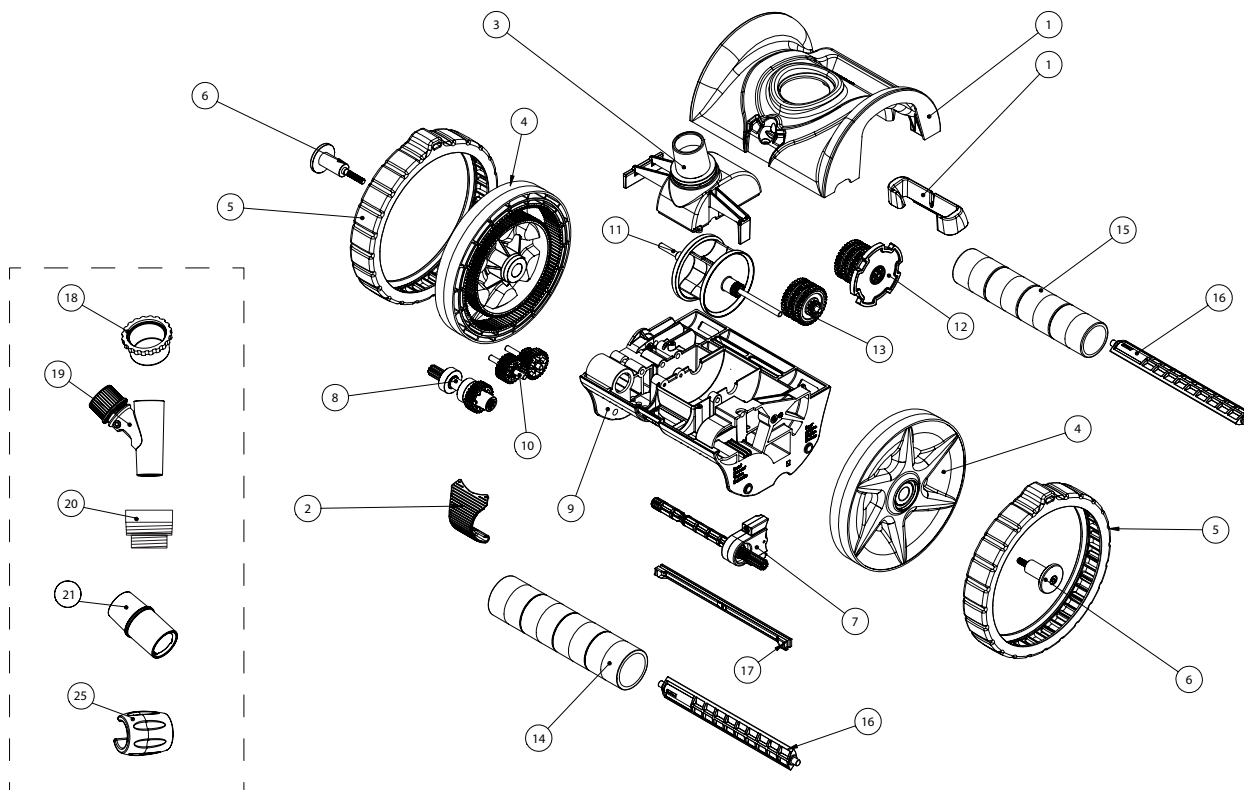
Item	Part No.	Qty.	Description	US List	Can. List
<b>KREEPY KRAULY WARRIOR REPLACEMENT PARTS</b>					
1	360478	1	Top Cover Kit	CALL	CALL
2	360305	1	Buckle Kit	19.30	23.19
3	360453	1	Swivel Kit	40.57	48.75
4	360481	1	Wheel Kit	CALL	CALL
5	360482	1	Tire Kit	102.25	122.86
6	360483	1	Wheel Hub Kit	30.45	36.59
7	360289	1	Left Drive Kit	53.05	63.74
8	360290	1	Right Drive Kit	60.66	72.89
9	360485	1	Chassis Kit	109.94	132.10
10	360292	1	Drive Gear Kit	17.16	20.62
11	360293	1	Turbine Kit	44.56	53.54
12	360294	1	Cam Kit	22.86	27.47
13	360295	1	Cam Gear Kit	22.86	27.47
14	360296	1	Front Roller Kit	53.05	63.74
15	360297	1	Rear Roller Kit	45.62	54.82
16	360487	1	Roller Bar Kit	38.04	45.71
17	360299	1	Wear Bar Kit	CALL	CALL
18	360492	1	Bearing Kit	39.80	47.82

Item	Part No.	Qty.	Description	US List	Can. List
19	41200-0211	1	Valve Cap	CALL	CALL
20	41200-0213	1	Regulator Valve	81.26	97.64
21	K12079	1	Threaded Compression Adaptor	15.69	18.85
22	41200-0212	1	Flow Gauge	41.24	49.55
23	360317	1	Hose Float	38.73	46.54
<b>NOT SHOWN</b>					
	GW9530	1	Vacuum Line Door	78.26	94.04
	41201-0236	2	Eyeball Diverter	0.67	0.81
	K12465	1	Hose Protector	11.79	14.17
	360309	1	Hose Set	332.79	399.88
	360489	1	Leader Hose	CALL	CALL
	360490	1	Large Hump Tire	108.01	129.78
	360491	1	Long Run Cam	CALL	CALL
	360535	1	Warrior Tune-Up Kit (includes 4, 5, 6, 7, 8, & 18)	211.62	254.28

CALIFORNIA PROPOSITION 65 WARNING  
 ⚠️ **WARNING:** Cancer and Reproductive Harm.  
 ⚠️ **AVERTISSEMENT:** Peut Causer le Cancer et des Dommages au Système Reproducteur.  
 ⚠️ **ADVERTENCIA:** Cáncer y Daño Reproductivo.  
[www.p65warnings.ca.gov](http://www.p65warnings.ca.gov) PH.201714

# KREEPY KRAULY® WARRIOR® 2018 AND EARLIER MODELS

## CLEANER REPLACEMENT PARTS



Item	Part No.	Qty.	Description	US List	Can. List
<b>KREEPY KRAULY WARRIOR REPLACEMENT PARTS</b>					
1	360304	1	Top Cover Kit	88.16	105.93
2	360305	1	Buckle Kit	19.30	23.19
3	360285	1	Swivel Kit	CALL	CALL
4	360306	1	Wheel Kit	38.11	45.79
5	360287	1	Tire Kit	102.27	122.89
6	360288	1	Wheel Hub Kit	30.45	36.59
7	360289	1	Left Drive Kit	53.05	63.74
8	360290	1	Right Drive Kit	60.66	72.89
9	360291	1	Bottom Cover Kit	207.85	249.75
10	360292	1	Drive Gear Kit	17.16	20.62
11	360293	1	Turbine Kit	44.56	53.54
12	360294	1	Cam Kit	22.86	27.47
13	360295	1	Cam Gear Kit	22.86	27.47
14	360296	1	Front Roller Kit	53.05	63.74
15	360297	1	Rear Roller Kit	45.62	54.82
16	360298	1	Roller Bar Kit	38.05	45.72
17	360299	1	Wear Bar Kit	CALL	CALL

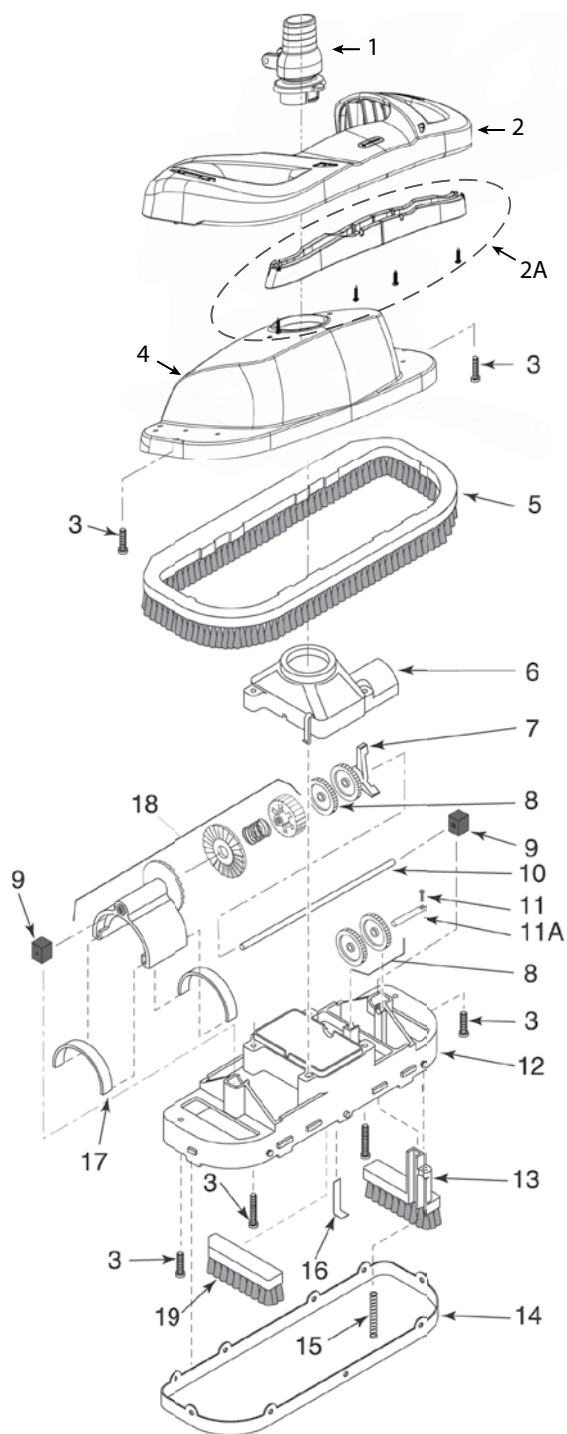
Item	Part No.	Qty.	Description	US List	Can. List
18	41200-0213	1	Regulator Valve Kit	81.26	97.64
20	K12079	1	Threaded Compression Adaptor	15.69	18.85
21	41200-0212	1	Flow Gauge	41.24	49.55
25	360317	1	Hose Float	38.73	46.54
<b>NOT SHOWN</b>					
22	GW9530	1	Vacuum Line Door	78.26	94.04
23	41201-0236	2	Eyeball Diverter	0.67	0.81
24	K12465	1	Hose Protector	11.79	14.17
26	360309	1	Hose Set	332.79	399.88
27	360308	1	Leader Hose	CALL	CALL
	360326		Large Hump Tire	108.00	129.77
	360327		Long Run Cam	37.97	45.62
	360534		Warrior Tune-Up Kit (Includes items 4, 5, 6, 7, & 8)	211.62	254.28

CALIFORNIA PROPOSITION 65 WARNING  
 ⚠️ WARNING: Cancer and Reproductive Harm.  
 ⚠️ AVERTISSEMENT: Peut Causer le Cancer et des Dommages au Système Reproducteur.  
 ⚠️ ADVERTENCIA: Cáncer y Daño Reproductivo.  
[www.p65warnings.ca.gov](http://www.p65warnings.ca.gov)

# PENTAIR DORADO®

## CLEANER REPLACEMENT PARTS

Item	Part No.	Description	US List	Can. List
<b>DORADO REPLACEMENT PARTS</b>				
1	GW9012	Swivel Assembly	38.58	46.36
2	360152	Bumper	66.28	79.64
2A	360154	Bumper Insert Kit (Includes Bumper Inserts & 4 Bumper Insert Screws)	32.77	39.38
3	GW9504	Screw Kit (6 short, 2 long)	18.12	21.77
4	360153	Shroud	48.94	58.81
5	GW9505	Brush Ring	141.65	170.21
6	GW9506	Oscillator Chamber Cap	60.23	72.37
7	GW9507	Cam Kit (2 & 3 Leg Cams)	42.50	51.07
8	GW9509	Idler Gear Kit (Includes 3 Gears)	42.17	50.67
9	GW9512	Block Kit (Includes 2 Blocks)	23.51	28.25
10	GW9513	Long Gear Shaft (Stainless Steel)	60.21	72.35
11		Set Screw #4 Self Tapping Not Available Separately		
11A	GW9536	Shaft Kit, Stainless Steel (Includes Set Screw)	21.53	25.87
12	GW9535	Lower Body <sup>1</sup>	151.72	182.31
13	GW9517	Lift Brush	48.19	57.91
14	GW9508	Vacuum Skirt	34.04	40.90
15	GW9522	Lift Brush Spring	15.47	18.59
16	GW9523	Ratchet Tab (Stainless Steel)	13.86	16.65
17	GW9004	Oscillator Seal Kit (Includes 2 Seals)	18.96	22.78
18	GW9503	Oscillator Assembly Kit (Includes Key #17) (Ratchet Assembly not sold separately)	195.73	235.19
19	GW9013	Center Brush Kit (Set of 2)	54.63	65.64
<b>NOT SHOWN</b>				
	41200-0131	Hose Kit, 12 sections, each 4 ft. in length	CALL	CALL
	41200-0200	Vacuum Regulator	CALL	CALL
	41200-0211	Vacuum Regulator Cap	CALL	CALL
	GW9015	Reducer Cone	30.45	36.59
	GW9019	Unidapt Handle	16.01	19.24
	GW9530	Vac Port Fitting	78.26	94.04
	41200-0210	Flow Gauge	CALL	CALL



<sup>1</sup> Includes Item Nos. 6, 11A, 13, 15, 16, two idler gears and 2-arm cams

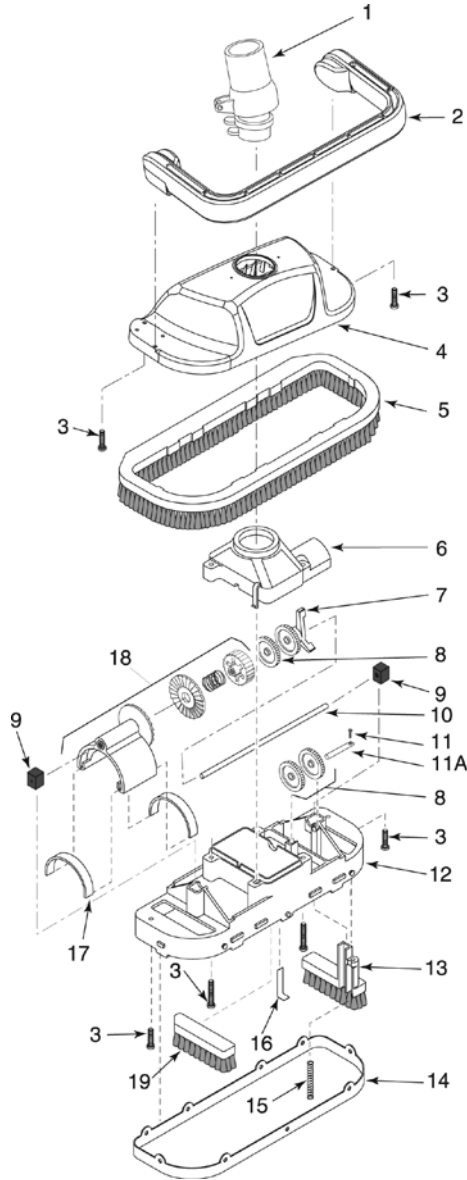
CALIFORNIA PROPOSITION 65 WARNING

⚠ **WARNING:** Cancer and Reproductive Harm.  
 ⚠ **AVERTISSEMENT:** Peut Causer le Cancer et des Dommages au Système Reproducteur.  
 ⚠ **ADVERTENCIA:** Cáncer y Daño Reproductivo.  
[www.p65warnings.ca.gov](http://www.p65warnings.ca.gov)



# KREEPY KRAULY® GREAT WHITE®

## CLEANER REPLACEMENT PARTS



Item	Part No.	Description		
<b>GREAT WHITE REPLACEMENT PARTS</b>				
1	GW9012	Swivel Assembly	38.58	46.36
2	360227	Bumper	116.92	140.49
3	GW9504	Screw Kit (6 short, 2 long)	18.12	21.77
4	GW9501	Shroud	207.69	249.56
5	GW9505	Brush Ring Kit (Includes Vacuum Skirt)	141.65	170.21
6	GW9506	Oscillator Chamber Cap	60.23	72.37
7	GW9507	Cam Kit (2 & 3 Leg Cams)	42.50	51.07
8	GW9509	Idler Gear Kit (Includes 3 Gears)	42.17	50.67
9	GW9512	Block Kit (Includes 2 Blocks)	23.51	28.25
10	GW9513	Long Gear Shaft (Stainless Steel)	60.21	72.35
11		Shaft Mounting Screw (included in Part No. 11A)	CALL	CALL
11A	GW9536	Shaft Kit - Includes Part No. 11	21.53	25.87
12	GW9535	Lower Body	151.72	182.31
13	GW9517	Lift Brush	48.19	57.91
14	GW9508	Vacuum Skirt	34.04	40.90
15	GW9522	Lift Brush Spring	15.47	18.59
16	GW9523	Ratchet Tab (Stainless Steel)	13.86	16.65
17	GW9004	Oscillator Seal Kit (Includes 2 Seals)	18.96	22.78
18	GW9503	Oscillator Assembly Kit (Includes Item #17, Ratchet Ass'y not sold separately)	195.73	235.19
19	GW9013	Center Brush Kit (Set of 2)	54.63	65.64
<b>NOT SHOWN</b>				
	GW9527	Ratchet Tab Service Kit	23.74	28.53
	41200-0213	Vacuum Regulator and Cap	81.26	97.64
	GW9015	Reducer Cone	30.45	36.59
	GW9019	Unidapt Handle	16.01	19.24
	GW9530	Vac Port Fitting	78.26	94.04
	41200-0212	Flow Gauge	41.24	49.55
	41200-0130	Hose Sectional Kit with Leader, 40 ft.	343.18	412.37
	41200-0133	Hose, bulk pack 20, 1-1/2 in. M/F sections	469.68	564.37
	41200-0134	Hose bulk pack 12, leader sections	316.92	380.81
	360394	Replacement Leader Hose	68.37	82.15
	77705-0200	Accessory Pkg. includes: GW9012, 41200-0213, GW9015, GW9019, GW9530, 41200-0212	118.33	142.19

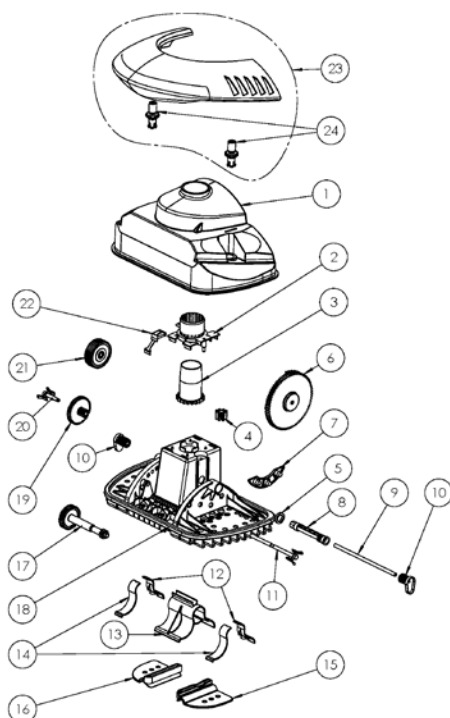
CALIFORNIA PROPOSITION 65 WARNING

⚠️ **WARNING:** Cancer and Reproductive Harm.  
 ⚠️ **AVERTISSEMENT:** Peut Causer le Cancer et des Dommages au Système Reproducteur.  
 ⚠️ **ADVERTENCIA:** Cáncer y Daño Reproductivo.

[www.p65warnings.ca.gov](http://www.p65warnings.ca.gov)

# KREEPY KRAULY® SANDSHARK™

## CLEANER REPLACEMENT PARTS



CALIFORNIA PROPOSITION 65 WARNING  
 ⚠️ **WARNING:** Cancer and Reproductive Harm.  
 ⚠️ **AVERTISSEMENT:** Peut Causer le Cancer et des Dommages au Système Reproducteur.  
 ⚠️ **ADVERTENCIA:** Cáncer y Daño Reproductivo.  
[www.p65warnings.ca.gov](http://www.p65warnings.ca.gov) PH 201714A

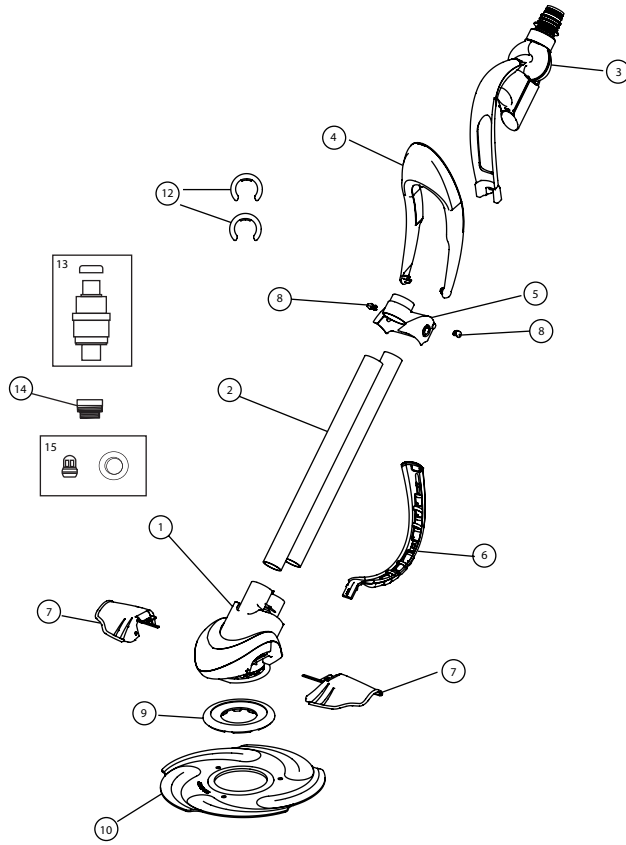
Product on page 26.

Item	Part No.	Qty.	Description	US List	Can. List
<b>STEERING KIT (Incl. Item #'s 2,3,4, 24)</b>					
	GW7910		Steering Kit (Incl. Key Nos. 2, 3, 4 & 22)	34.23	41.13
2		1	Swivel Housing		
3			Swivel		
4			Swivel Sprocket		
22			Clutch Clip		
<b>CLUTCH KIT (Includes Item #'s 5, 8, 21)</b>					
	GW7503		Clutch Kit (Incl. Key Nos. 5, 8 & 21)	57.76	69.40
5		1	Oscillator Sleeve Bushing		
8		1	Oscillator Sleeve		
21		1	Clutch Assembly		
<b>GEAR KIT (Includes Item #'s 6, 10, 11, 17, 19, 20)</b>					
	GW7504		Gear Kit (Incl. Key Nos. 6, 10, 11, 17, 19 & 20)	118.76	142.70
6		1	Large steering Drive Assembly		
10		2	Shaft Plug		
11		1	Long Sprocket Clip		
17		1	Drive Shaft assembly		
19		1	Center Sprocket		
20		1	Short Sprocket Clip		
<b>OSCILLATOR KIT (Includes Item #'s 12, 13, 14)</b>					
	GW7912		Oscillator Kit (Incl. Key Nos. 12, 13 & 14)	35.86	43.09
12		2	Small Sliding Seal		
13		1	Oscillator		
14		2	Large Sliding Seal		

Item	Part No.	Qty.	Description	US List	Can. List
<b>SEAL FLAP KIT (Includes Item #'s 15, 16)</b>					
	GW7913		Seal Flap Kit (Incl. Key Nos. 15 & 16)	32.41	38.94
15		1	Right Seal Flap		
16		1	Left seal Flap		
<b>ACCESSORY KIT</b>					
	GW7901		Accessory Kit (Not shown)	216.80	260.51
		1	Regulator		
		1	Regulator cap		
		2	Hose Weight		
		1	Flow gage		
		1	Reducer Cone		
		2	Eyeball Diverter		
		1	Vac Port Fitting		
<b>SANDSHARK PARTS</b>					
1	GW7903	1	Outer Housing	28.13	33.80
9	41201-0213	1	Shaft - Stainless Steel	15.00	18.02
18	41201-0242W	1	Chassis with Pad	213.01	255.95
23	GW7902	1	Bumper with flex snaps	116.31	139.76
24	GW7904		Flex Snaps Kit	26.86	32.27
<b>NOT SHOWN</b>					
	GW7911	1	Short Leader Hose	19.37	23.27
	GW7907	25	Suction Hose, 1 Meter segment	577.69	694.15
	41200-0213		Regulator Kit334	81.26	97.64
	41200-0209		Flow Gauge (yellow)	CALL	CALL
	GW9015		Reducer Cone (velve)	30.45	36.59
	K12454		Hose Weight	26.41	31.73

# KREEPY KRAULY® - 2013 MODEL

## CLEANER REPLACEMENT PARTS

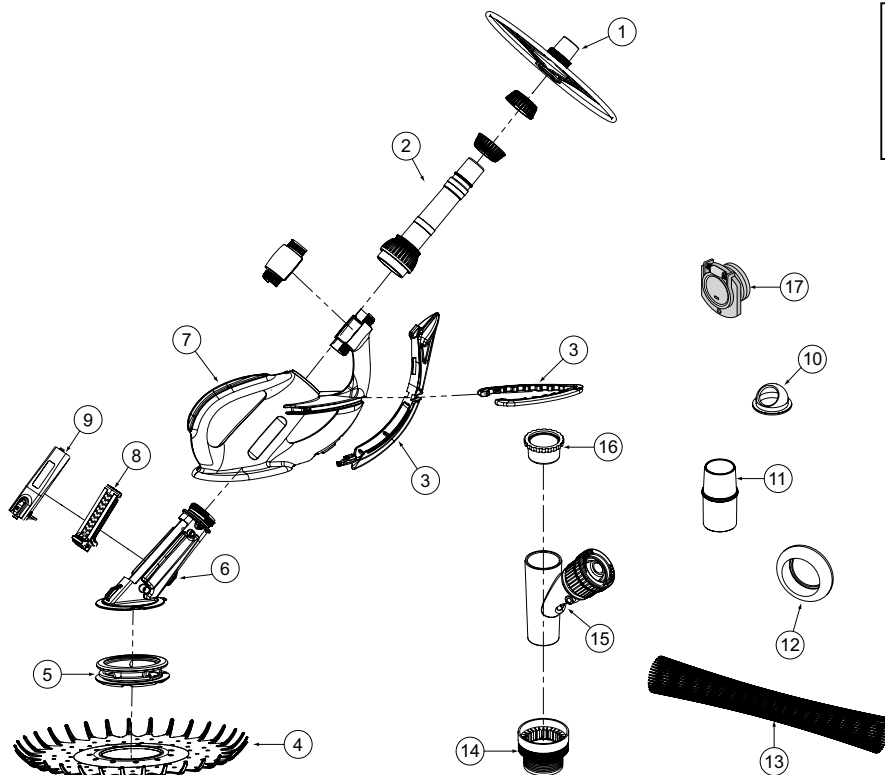


CALIFORNIA PROPOSITION 65 WARNING

⚠ **WARNING:** Cancer and Reproductive Harm.  
 ⚠ **AVERTISSEMENT:** Peut Causer le Cancer et des Dommages au Système Reproducteur.  
 ⚠ **ADVERTENCIA:** Cáncer y Daño Reproductivo.  
[www.p65warnings.ca.gov](http://www.p65warnings.ca.gov)

Item	Part No.	Description	US List	Can. List
<b>KREEPY KRAULY REPLACEMENT PARTS</b>				
1	370500Z	Main Body Motor Housing	481.81	578.94
2	370486Z	Drive Tube (contains 1 tube)	32.50	39.05
3	370496Z	Swivel Assembly	95.93	115.27
4	370497Z	Dive Float	109.00	130.97
5	370498Z	Weight Holder (includes dive float restrictor set)	36.84	44.27
6	370499Z	Bumper Assembly	52.30	62.84
7	370492Z	Wing Set	63.23	75.98
8	370482Z	Dive Float Restrictor Set (contains 2)	16.53	19.86
9	K12059	Foot Pad	50.38	60.54
10	370478Z	Flat Seal	169.84	204.08
11	370483Z	Pleated Seal (not shown)	169.84	204.08
12	370494Z	Hose Weight (contains 2)	27.17	32.65
13	K12004	Automatic Regulator Valve and Valve Cap Kit	129.00	155.01
14	K12079	Threaded Compression Adaptor	15.69	18.85
15	K121680	Eyeball Diverter and Outer Ring	14.06	16.89
<b>NOT SHOWN</b>				
	370524	40" - 20pc male/female hose set	534.09	641.76
	370533	32" - 12pc male/female hose set	270.80	325.39
	370521	40" - 12pc male/female hose set	337.46	405.49
	370536Z	4" female/female hose	CALL	CALL

# KREEPY KRAULY® KRUISER™ 2012 MODEL CLEANER REPLACEMENT PARTS



CALIFORNIA PROPOSITION 65 WARNING

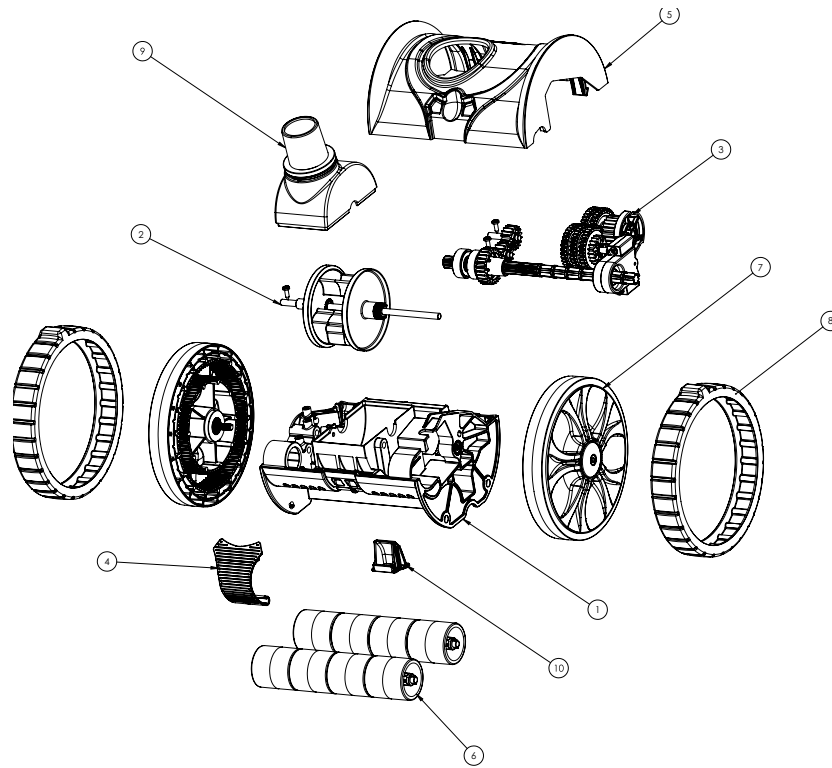
⚠ **WARNING:** Cancer and Reproductive Harm.  
 ⚠ **AVERTISSEMENT:** Peut Causer le Cancer et des Dommages au Système Reproducteur.  
 ⚠ **ADVERTENCIA:** Cáncer y Daño Reproductivo.

[www.p65warnings.ca.gov](http://www.p65warnings.ca.gov)
PH 201114A

Item	Part No.	Description	US List	Can. List
<b>KREEPY KRUISER PARTS</b>				
1	K12458	Kruiser Deflector Wheel	36.04	43.31
2	K12444	Kruiser Swivel Kit	129.31	155.38
3	K12451	Kruiser Bumper Kit (Horizontal & Vertical)	73.78	88.65
4	K12442	Kruiser 18 in. Vacuum Seal Kit	98.08	117.85
5	K12450	Kruiser Foot Pad Kit	29.63	35.60
6	K12443	Kruiser Internal Kit	108.73	130.65
7	K12441	Kruiser External Housing Kit	192.82	231.69
8	K12415	Kruiser Silent Flapper Kit	48.21	57.93
9	K12412	Kruiser Lid and Lock Kit	26.17	31.45
10	41201-0236	Eyeball Diverter	0.67	0.81
11	41200-0212	Flow Gauge	41.24	49.55
12	370494Z	Hose Weight	27.17	32.65
13	K12465	Hose Protector	11.79	14.17
14	K12079	Threaded Compression Adapter	15.69	18.85
15	41200-0214	Regulator Valve (Adjustable) and Regulator Cap	129.00	155.01
17	K12500	Safety Vac-Lock Fitting	90.88	109.20
<b>NOT SHOWN</b>				
	K01213	Hose Kit (12 M/F Sections)	339.92	408.45

# PENTAIR 'LIL REBEL™

## CLEANER REPLACEMENT PARTS



Item	Part No.	Qty.	Description	US List	Can. List
<b>PENTAIR LIL REBEL REPLACEMENT PARTS</b>					
1	360458	1	Bottom Cover Kit	176.87	212.53
2	360460	1	Turbine Kit	51.30	61.64
3	360462	1	Drivetrain Kit	156.02	187.47
4	360452	1	Buckle Kit	30.14	36.22
5	360451	1	Top Cover Kit	68.39	82.18
6	360463	1	Roller Kit	108.47	130.34
7	360454	1	Wheel Kit	118.88	142.85
8	360455	1	Tire Kit	65.07	78.19
9	360453	1	Swivel Kit	40.57	48.75

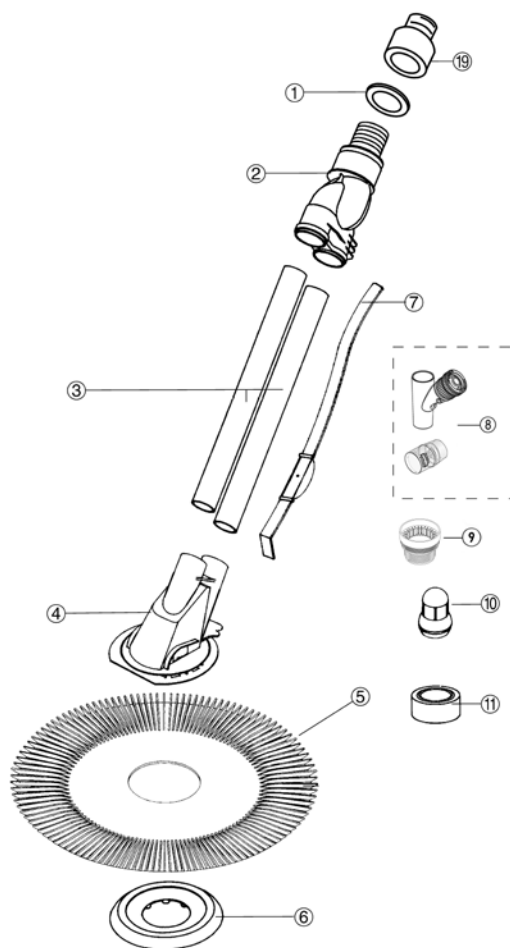
Item	Part No.	Qty.	Description	US List	Can. List
<b>OPTIONAL</b>					
10	360468	1	Inlet Insert Kit	21.35	25.65
	360465	1	Flow Gauge	15.88	19.08
	41201-0236	1	Eyeball Diverter	0.67	0.81
	K70079	1	Threaded Compression Adapter	CALL	CALL
<b>NOT SHOWN</b>					
	360467	1	Hose Set	165.22	198.53
	360308	1	Leader Hose	CALL	CALL
	41200-0200	1	Regulator Valve	CALL	CALL
	GW9015	1	Reducer Cone	30.45	36.59
	360466	1	Hose Float	47.25	56.78

CALIFORNIA PROPOSITION 65 WARNING

⚠️ **WARNING:** Cancer and Reproductive Harm.  
 ⚠️ **AVERTISSEMENT:** Peut Causer le Cancer et des Dommages au Système Reproducteur.  
 ⚠️ **ADVERTENCIA:** Cáncer y Daño Reproductivo.  
[www.p65warnings.ca.gov](http://www.p65warnings.ca.gov)

# KREEPY KRAULY® E-Z VAC® CLEANER REPLACEMENT PARTS

Item	Part No.	Description	US List	Can. List
<b>E-Z VAC REPLACEMENT PARTS</b>				
1	K12087	Bearing Washer	9.07	10.90
2	K12653	Swivel Head Assembly	86.68	104.15
3	K12654	Drive Tube Top/Bottom (1)	21.37	25.68
4	K12650	Main Body (Excludes Flapper)	431.51	518.50
5	K12651	Aboveground Seal	176.51	212.09
6	K12059	Foot Pad	50.38	60.54
7	K12655	Bumper Strap with weight	61.61	74.03
8	41200-0214	Regulator Valve	129.00	155.01
9	K12079	Threaded Compression Adapter	15.69	18.85
10	K121680	Eyeball Diverter	14.06	16.89
11	K12657	Hose Weight	43.41	52.16
12	K121683	Eyeball Diverter Outer Ring	8.49	10.20
13	K12649	Baffle Plate (not interchangeable with Kreepy Krauly inground)	19.37	23.27
14	K121620	Wire Diverter	38.54	46.31
18	K21241B	4 in. Female/Female Blue Hose Connector	13.72	16.49
18	K21241	4 in. Female/Female Hose Connector (White)	15.32	18.41
19	K12653C	Swivel Cone and Bearing Washer	13.06	15.69



**K50659** Complete Hose Assembly - Blue (After 3-16-10)

(12 Sections Male/Female)

**K50656** Complete Hose Assembly - Blue (Before 3-16-10)

(32 ft. total length)

- 11 Sections Male/Female Hose
- 1 Section Female/Female Hose

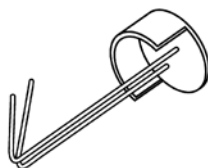
**K121683**  
Eyeball Diverter  
Outer Ring



**K12649**  
Baffle Plate



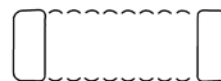
**K121620**  
Wire Diverter



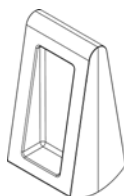
**K12142B**  
Vacuum Line  
Valve Kit



**K21241B**  
3" Female/Female Blue  
Hose Connector  
**K21241(White)**



**K70081**  
Flow Valve/Flapper - Teal



**K12041**  
Cone Adapter 1-1/4"-2"  
Optional

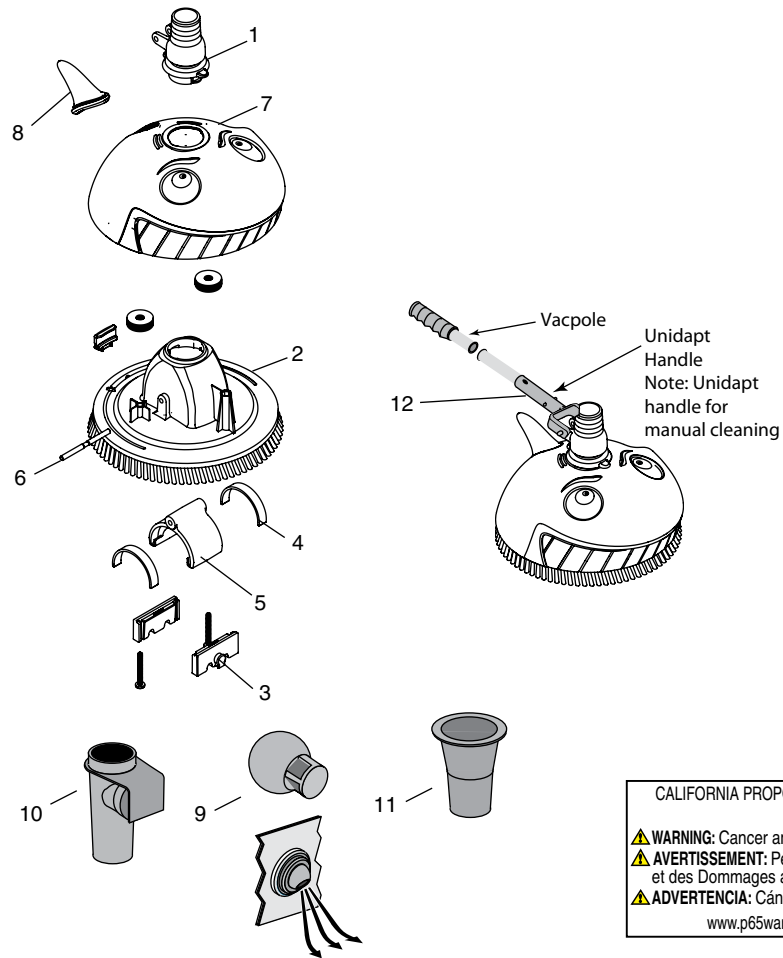


CALIFORNIA PROPOSITION 65 WARNING

⚠ **WARNING:** Cancer and Reproductive Harm.  
⚠ **AVERTISSEMENT:** Peut Causer le Cancer  
et des Dommages au Système Reproducteur.  
⚠ **ADVERTENCIA:** Cáncer y Daño Reproductivo.  
[www.p65warnings.ca.gov](http://www.p65warnings.ca.gov) PN2007RA

# KREEPY KRAULY® 'LIL SHARK™ - 2013 MODEL

## CLEANER REPLACEMENT PARTS



CALIFORNIA PROPOSITION 65 WARNING  
 ⚠️ **WARNING:** Cancer and Reproductive Harm.  
 ⚠️ **AVERTISSEMENT:** Peut Causer le Cancer et des Dommages au Système Reproducteur.  
 ⚠️ **ADVERTENCIA:** Cáncer y Daño Reproductivo.  
 www.p65warnings.ca.gov. P652017A

Item	Part No.	Qty.	Description	US List	Can. List
<b>LIL SHARK REPLACEMENT PARTS</b>					
1	GW9012	1	Swivel Assembly	38.58	46.36
2	*	1	Pool Cleaner Body (with Bristles)		
3	41100-0027	1	Oscillator Impact Bumper (Pkg of 2)	17.00	20.43
4	GW9004	1	Oscillator Seals (Pkg of 2)	18.96	22.78
5	GW9003	1	Oscillator Kit (Includes Seals)	116.92	140.49
6	GW9002	1	Axle Shaft	27.55	33.10
7	371514Z	1	Cover Kit	54.52	65.51
8	371508Z	1	Fin Kit	5.81	6.98
9	GW9014	1	Flow Director	29.65	35.63
10	GW9016	1	Vacuum Regulator	85.26	102.45
11	GW9015	1	Reducer Cone	30.45	36.59
12	GW9019	1	Unidapt Handle	16.01	19.24
<b>NOT SHOWN</b>					
	371526Z	1	Replacement Hose Kit	188.98	227.08

