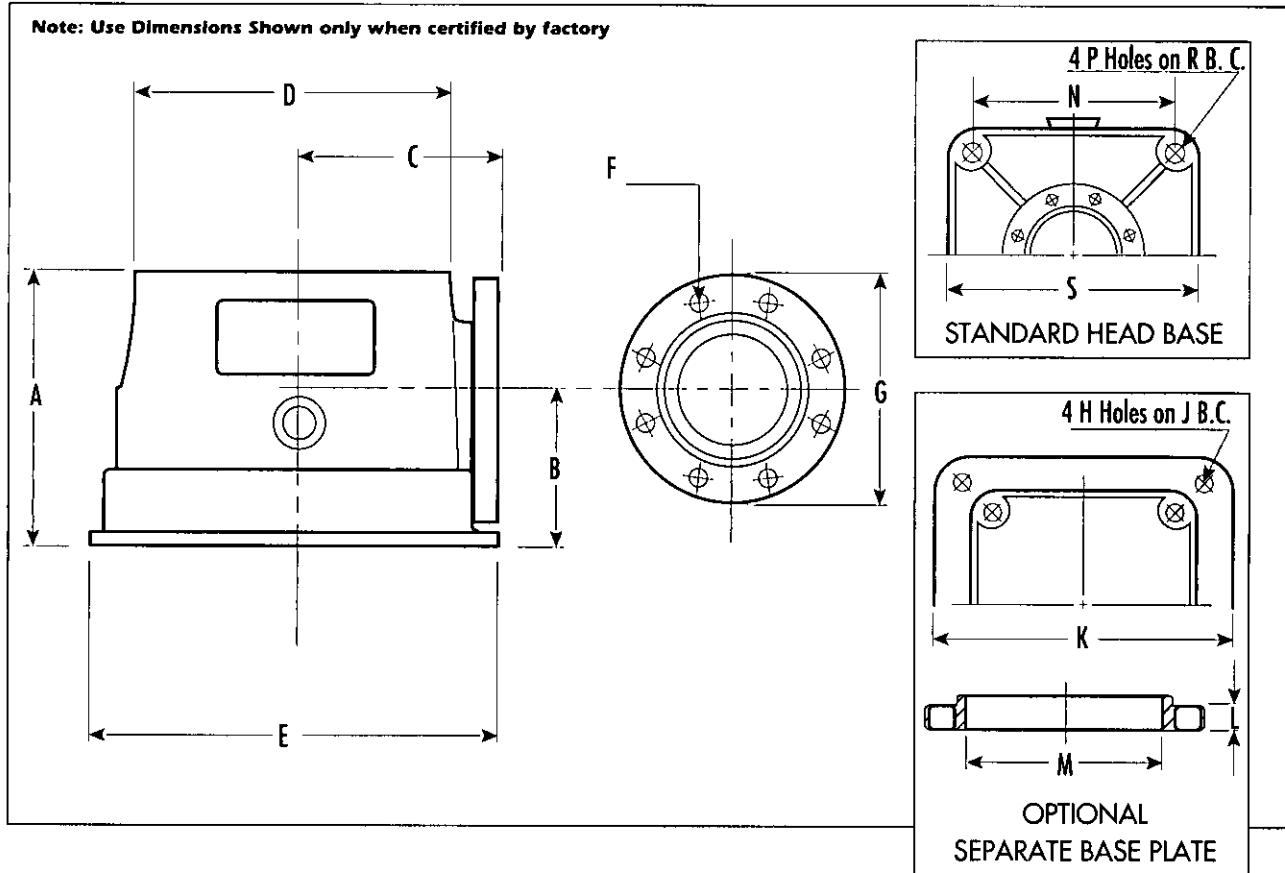


ENGINEERING data
DISCHARGE HEAD

CAST IRON - LB HEAD 6" - 14"

Note: Use Dimensions Shown only when certified by factory



All Dimensions in Inches

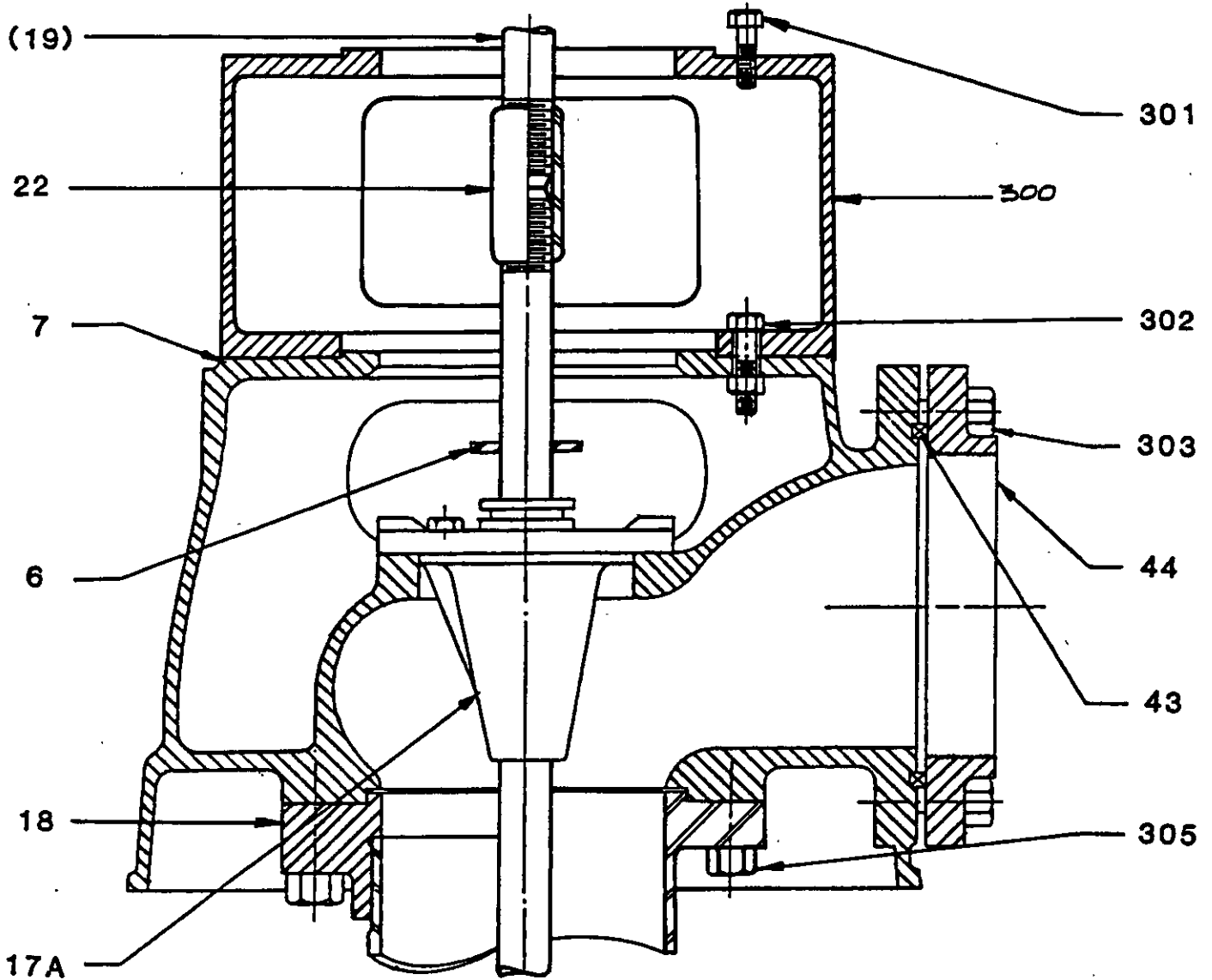
MODEL	A	B	C	D	E	F	G	H	J	K	L	M	N	P	R	S
6LB12	13	6-7/8	7-1/16	10,12	14-1/8	8-3/4 Taps	11	7/8	19-13/16	17	2	12-7/8	10-1/2	13/16	14-7/8	14-1/8
8LB18	15-1/16	8	11	16, 5, 20	22-1/8	8-3/4 Taps	13-1/2	7/8	30-3/8	26-1/2	2	20-7/8	17	7/8	24	22-1/8
10LB18	19	10	11-1/8	16, 5, 20	22-1/8	12-7/8 Taps	16	7/8	30-3/8	26-1/2	2	20-7/8	17	7/8	24	22-1/8
12LB20	22-1/4	12	13	20, 24, 5	26-1/8	12-1 Holes	19-1/4	7/8	35-1/4	30	2	24-11/16	20	7/8	28-1/4	26-1/8
14LB25	25	13	16	24, 5	32	12-1/8 Holes	21	—	—	—	—	—	25	1-3/32	35-3/8	32



VERTI-LINE
LAYNE & BOWLER

SECTIONAL DRAWING
LB HEAD W/HD SPACER
OPEN LINE SHAFT
F/THD'D COL W/BUTT TOP COL FLG
OR FAB FLG'G COL

DWG NO: _____
DATE: _____



ITEM NO	PART NAME	MATERIAL	
		STD	OPT
7A	DISCHARGE HEAD ASSEMBLY	----	
6	WATER SLINGER	RUBBER	
7	DISCHARGE HEAD	C.I. CL 30	
17A	STUFFING BOX ASSEMBLY	SEE DWG NO. _____	
▲ 18	TOP COLUMN FLANGE	C.I. CL 30	
(19)	(REF MOTOR DRIVE SHAFT)	SEE DWG NO. _____	
22	HEAD COUPLING	CAR STL	
43	TUCK PACKING, 3/8 SQ	RUBBER	
● 44	COMPANION FLANGE	CAST IRON	
300	HEAD SPACER	C.I. CL 30	
301	CAP SCREW, DRIVER/SPACER	CAR STL	
302	FASTENER, SPACER/HEAD	CAR STL	
303	CAP SCREW, COMP FLG/HEAD	CAR STL	
305	CAP SCREW, TOP COL FLG/HEAD	CAR STL	

▲ FURNISHED WITH THREADED COLUMN ONLY

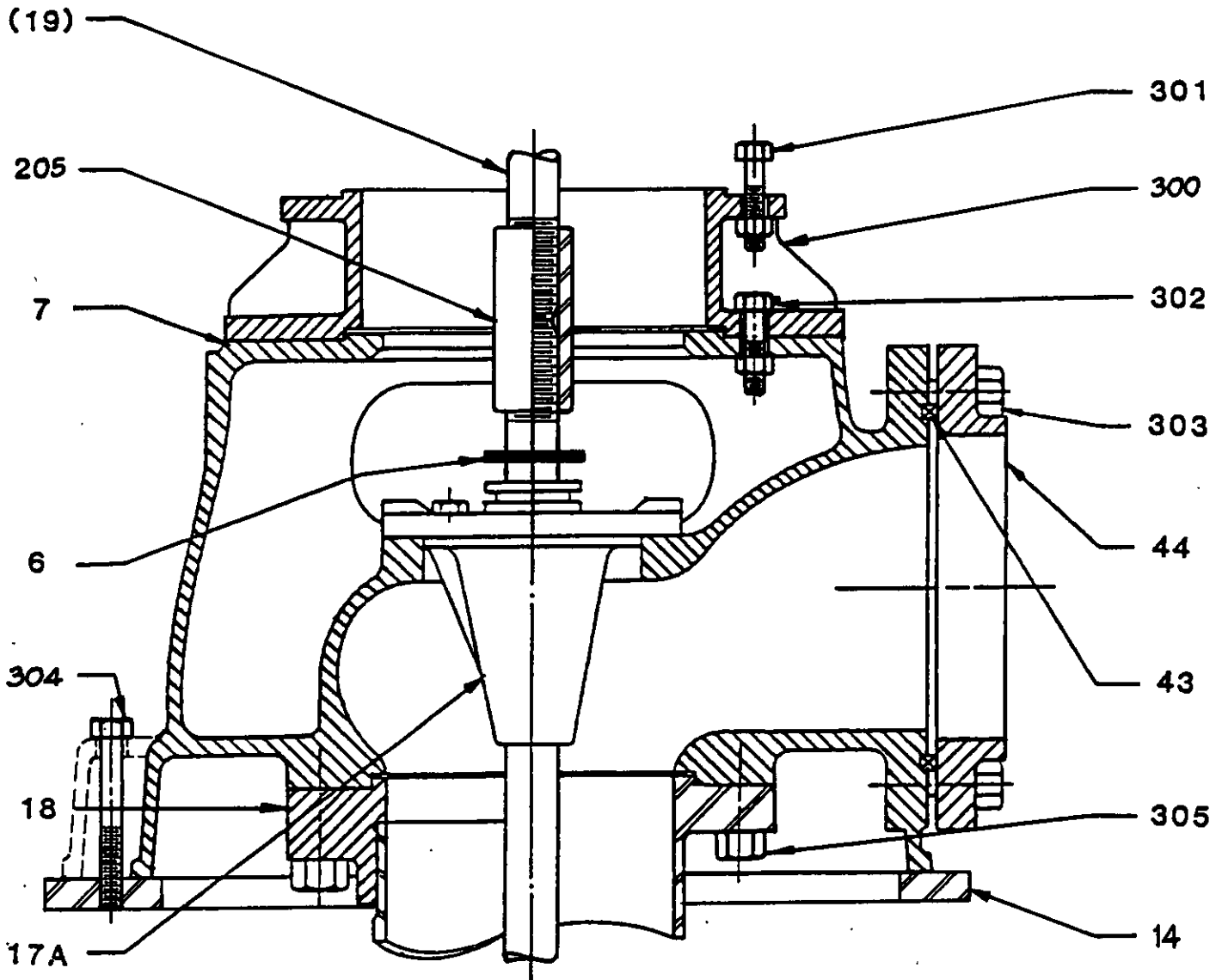
● OPTIONAL - FURNISHED ONLY WHEN SPECIFIED



VERTI-LINE
 LAYNE & BOWLER
 A Marley Company

SECTIONAL DRAWING
LB HEAD W/MTR ADPTR
OPEN LINE SHAFT
F/THD'D COL W/BUTT TOP COL FLG
OR FAB FLG'G COL

DWG NO: _____
 DATE: _____



ITEM NO	PART NAME	MATERIAL	
		STD	OPT
7A	DISCHARGE HEAD ASSEMBLY	-----	
6	WATER SLINGER	RUBBER	
7	DISCHARGE HEAD	C.I. CL 30	
17A	STUFFING BOX ASSEMBLY	SEE DWG NO.	
18	TOP COLUMN FLANGE	C.I. CL 30	
(19)	(REF MOTOR DRIVE SHAFT)	SEE DWG NO.	
205	HEAD COUPLING	CAR STL	
43	TUCK PACKING, 3/8 SQ	RUBBER	
44	COMPANION FLANGE	CAST IRON	
300	MOTOR ADAPTOR	C.I. CL 30	
301	CAP SCREW, DRIVER/ADAPTOR	CAR STL	
302	FASTENER, ADAPTOR/HEAD	CAR STL	
303	CAP SCREW, COMP FLG/HEAD	CAR STL	
305	CAP SCREW, TOP COL FLG/HEAD	CAR STL	
14	BASE PLATE	CAR STL	
304	CAP SCREW, HEAD/BASE PLATE	CAR STL	