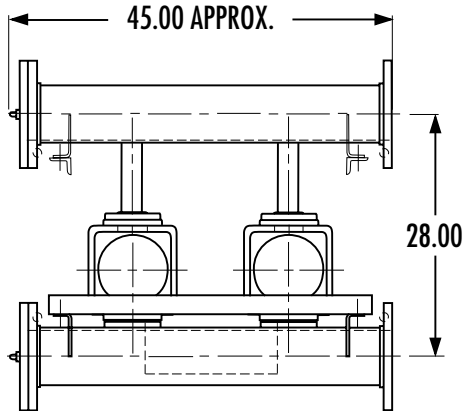


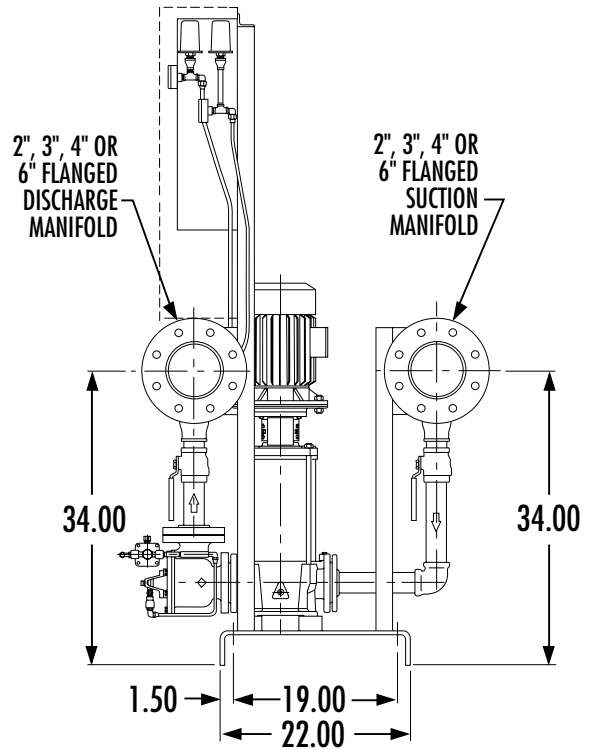
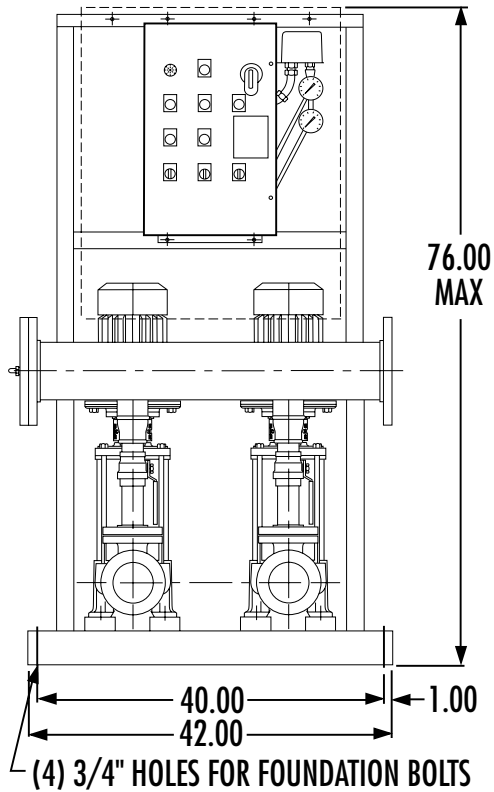
AURORA MODEL 790

VERTICAL DUPLEX
WITHOUT TANK



NOTES:

- 1. ALL DIMENSIONS ARE IN INCHES AND MAY VARY $\pm 1/2"$.
- 2. NOT FOR CONSTRUCTION PURPOSES UNLESS CERTIFIED.
- 3. MANIFOLD FLANGES ARE ANSI STANDARD CLASS 250 FLAT FACE.
- 4. STANDARD (RIGHT HAND) ASSEMBLY IS SHOWN. CONSULT FACTORY FOR OTHER CONFIGURATIONS.

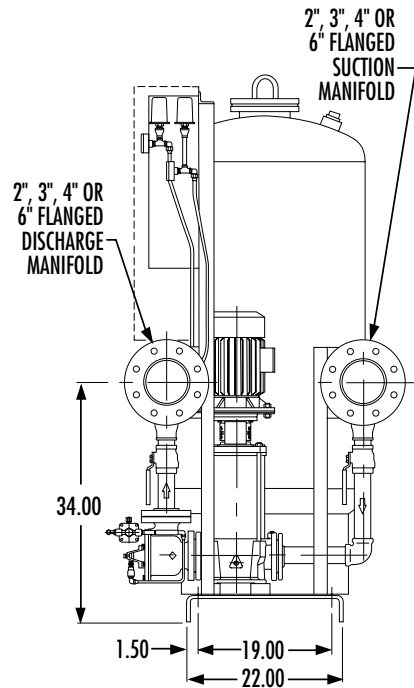
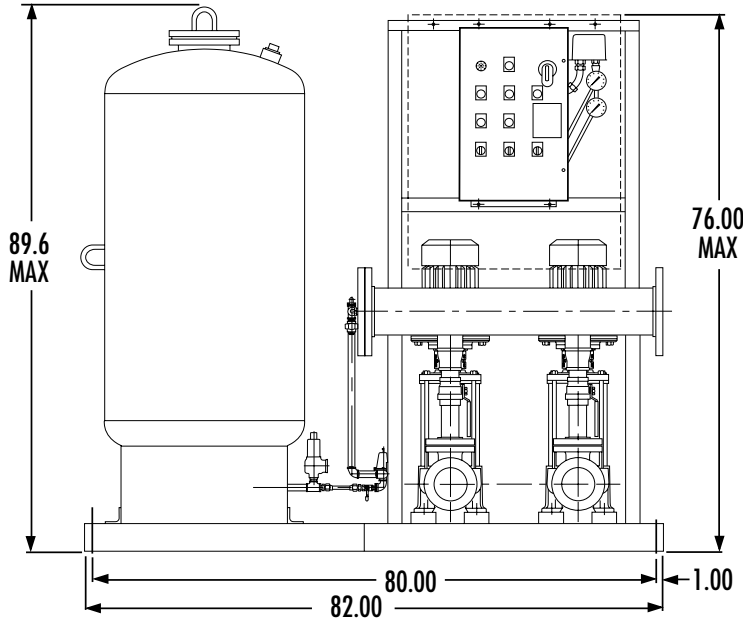
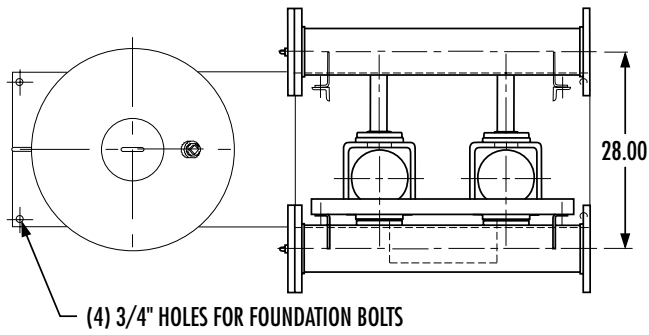


AURORA MODEL 790

VERTICAL DUPLEX WITH TANK

NOTES:

1. ALL DIMENSIONS ARE IN INCHES AND MAY VARY $\pm 1/2"$.
2. NOT FOR CONSTRUCTION PURPOSED UNLESS CERTIFIED.
3. MANIFOLD FLANGES ARE ANSI STANDARD CLASS 250 FLAT FACE.
4. STANDARD (RIGHT HAND) ASSEMBLY IS SHOWN. CONSULT FACTORY FOR OTHER CONFIGURATIONS.



AURORA MODEL 790

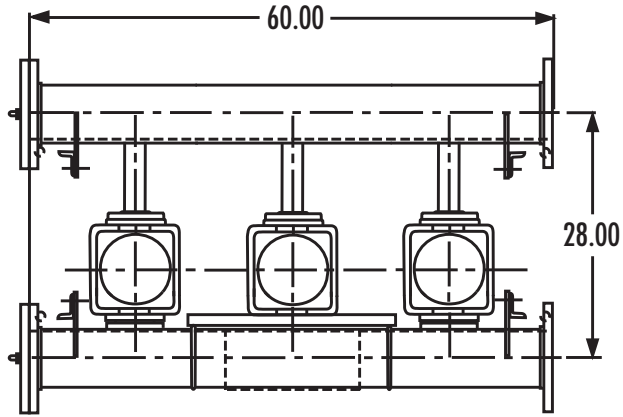
VERTICAL TRIPLEX WITHOUT TANK

Section 790 Page 203

Date October 2007

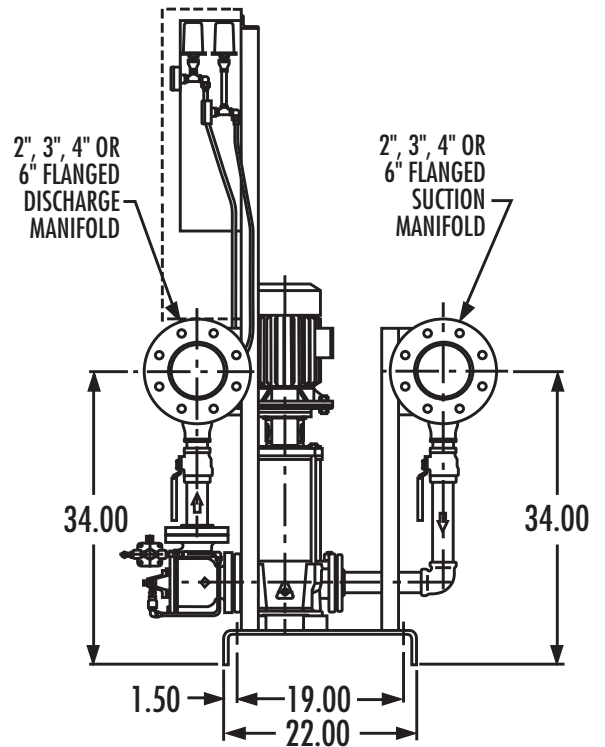
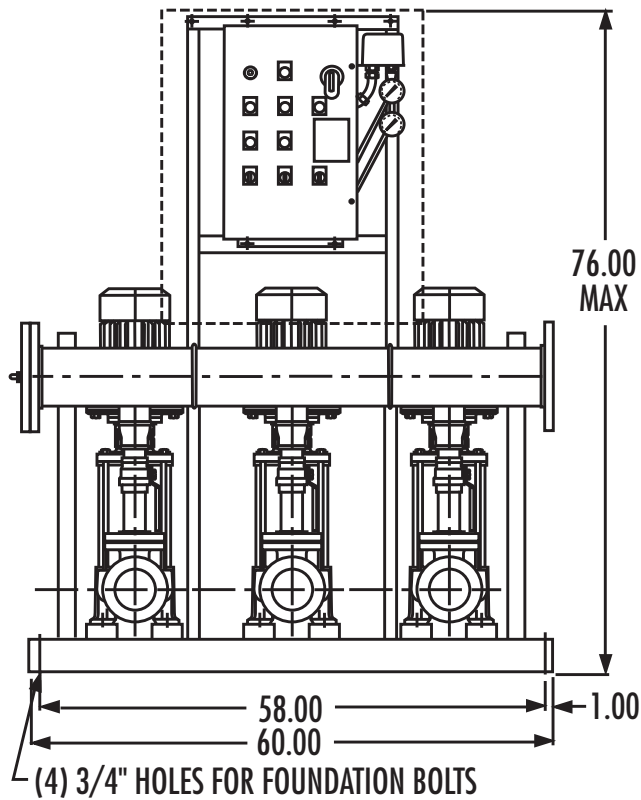
Supersedes Section 790 Page 203

Dated October 2003



NOTES:

1. ALL DIMENSIONS ARE IN INCHES AND MAY VARY $\pm 1/2"$.
2. NOT FOR CONSTRUCTION PURPOSED UNLESS CERTIFIED.
3. MANIFOLD FLANGES ARE ANSI STANDARD CLASS 250 FLAT FACE.
4. STANDARD (RIGHT HAND) ASSEMBLY IS SHOWN. CONSULT FACTORY FOR OTHER CONFIGURATIONS.



AURORA MODEL 790

VERTICAL TRIPLEX WITH TANK

NOTES:

1. ALL DIMENSIONS ARE IN INCHES AND MAY VARY $\pm 1/2"$.
2. NOT FOR CONSTRUCTION PURPOSES UNLESS CERTIFIED.
3. MANIFOLD FLANGES ARE ANSI STANDARD CLASS 250 FLAT FACE.
4. STANDARD (RIGHT HAND) ASSEMBLY IS SHOWN. CONSULT FACTORY FOR OTHER CONFIGURATIONS.

