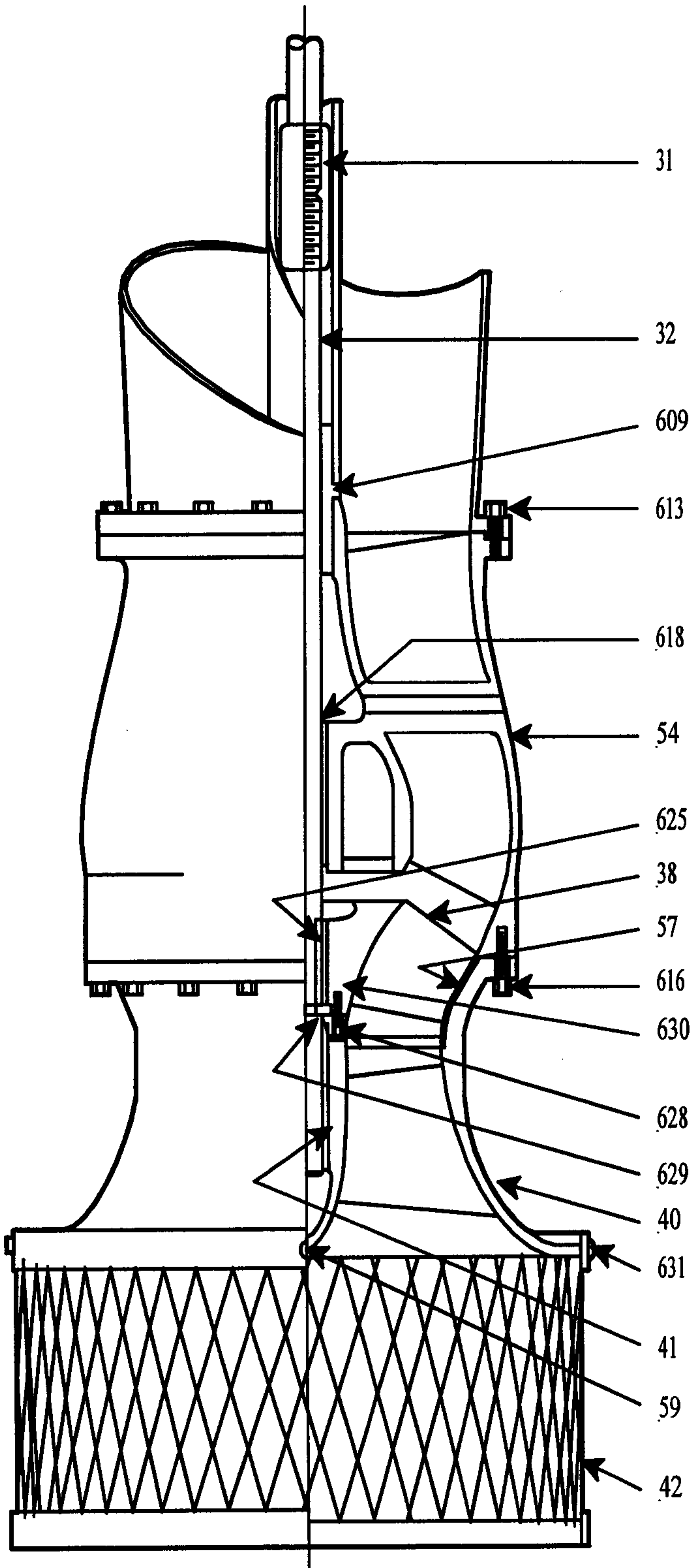


Item No.	Part Name	Material	
		Standard	Optional
31	Imp. Shaft Coupling	Steel	
32	Imp. Shaft	416 S.S.	
38	Impeller	Bronze	
40	Suction Bell	C.I. CL. 30	
41	Bearing, Suction	Bronze	
42	Strainer	Glv. Stl.	
54	Bowl	C.I. CL. 30	
57	Liner (Optional)	Bronze	
59	Suction Plug	Cast Iron	
613	Fastener, Col/Bowl	Steel	
616	Fastener, Bowl	Steel	
618	Bearing, Bowl	Bronze	
625	Key, Impeller	Stn. Stl.	
628	Retainer, Thrust Ring	Bronze	
629	Split Thrust Ring	Stn. Stl.	
630	Fastener, Retainer	Stn. Stl.	
631	Fastener, Strainer	Stn. Stl.	
656	Bowl Cap	Cast Iron	
659	Pipe Plug, Bowl Ports	Cast Iron	

CROSS-SECTIONAL DRAWING

DRAWING NO. _____

DATE: _____

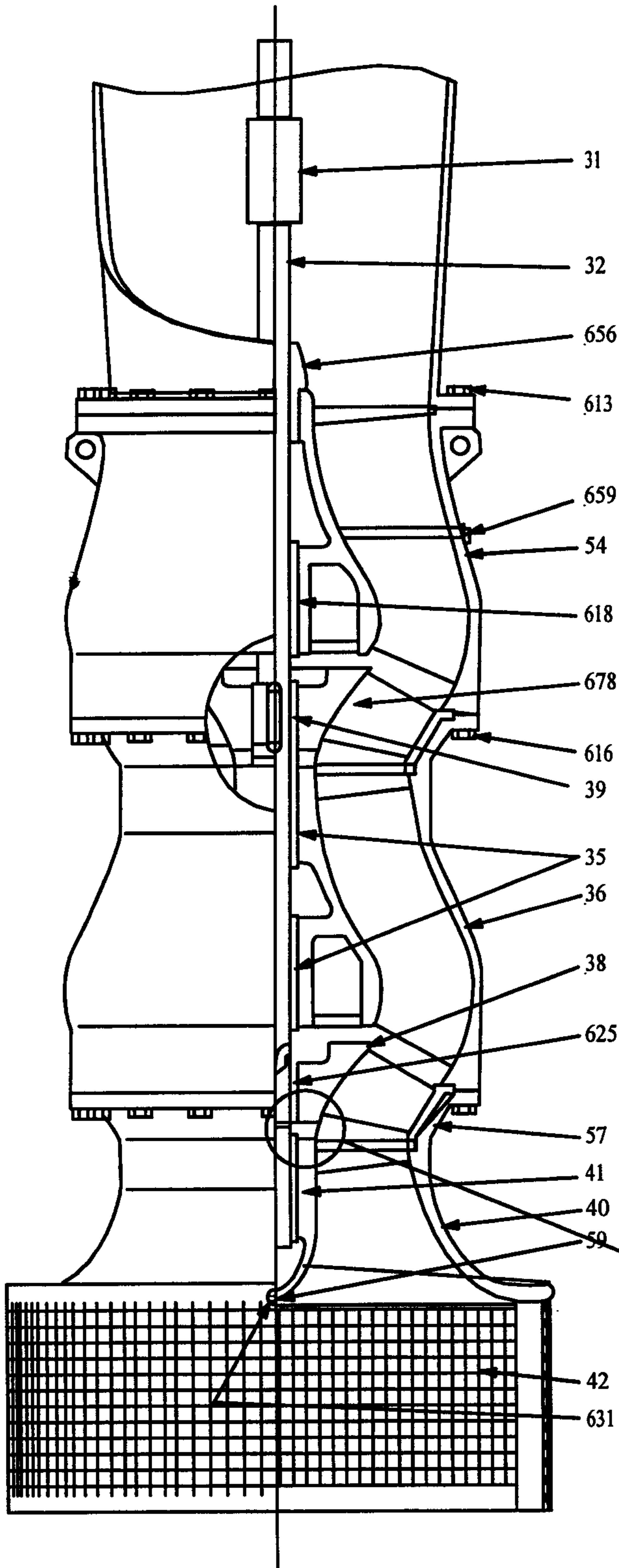


Item No.	Part Name	Material	
		Standard	Optional
31	Imp. Shaft Coupling	Steel	
32	Imp. Shaft	416 S.S.	
38	Impeller	Bronze	
40	Suction Bell	C.I. CL. 30	
41	Bearing, Suction	Bronze	
42	Strainer	Glv. Stl.	
54	Bowl	C.I. CL. 30	
57	Liner (Optional)	Bronze	
59	Suction Plug	C.I.	
609	Bowl Tube Connecyoc	Bronze	
613	Fastener, Co/Bowl	Steel	
616	Fastener, Bowl	Steel	
618	Bearing, Bowl	Bronze	
625	Key, Impeller	Stn. Stl.	
628	Retainer, Thrust Ring	Bronze	
629	Split Thrust Ring	Stn. Stl.	
630	Fastener, Retainer	Stn. Stl.	
631	Fastener, Strainer	Stn. Stl.	

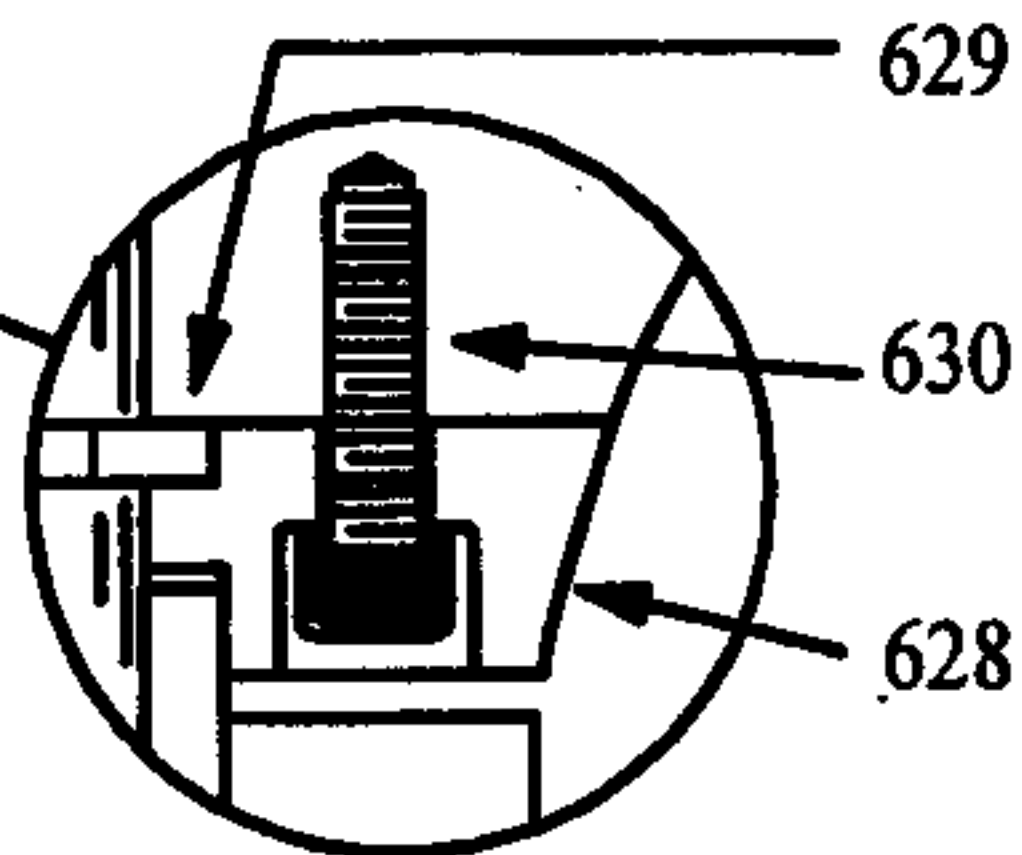
CROSS-SECTIONAL DRAWING

DRAWING NO. _____

DATE: _____



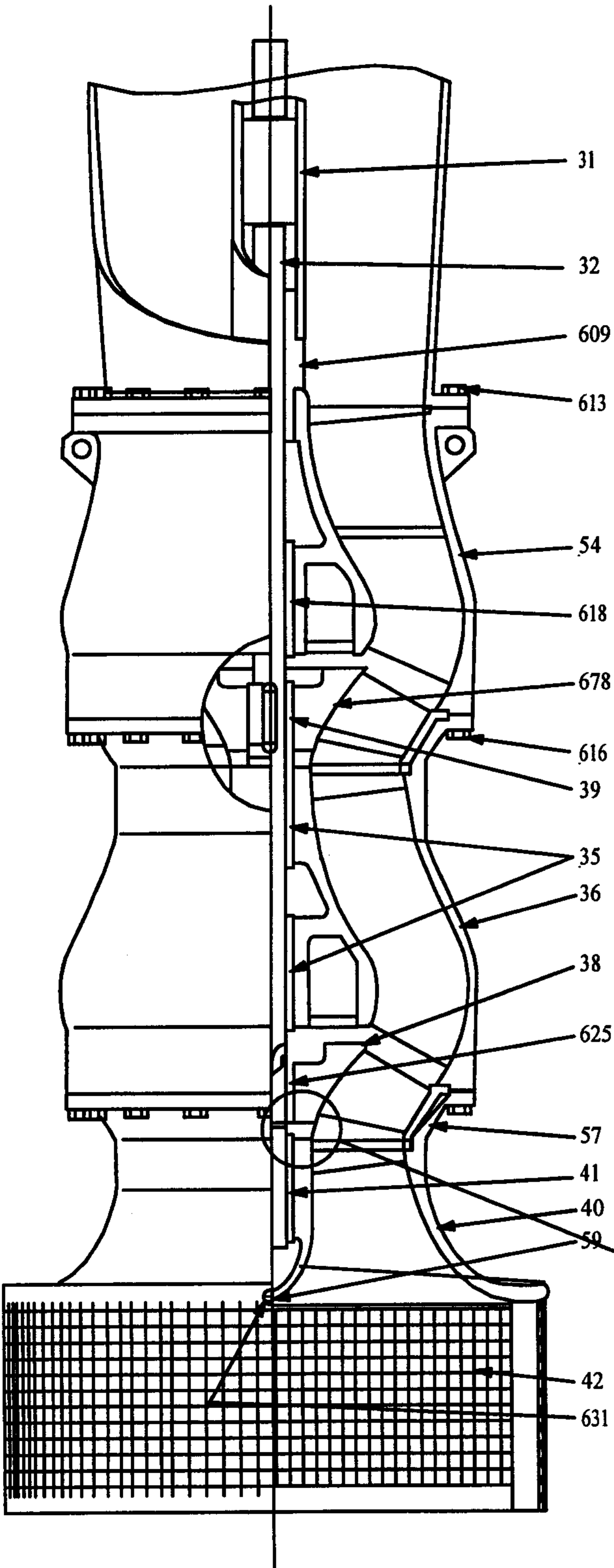
Item No.	Part Name	Material	
		Standard	Optional
31	Imp. Shaft Coupling	Steel	
32	Imp. Shaft	416 S.S.	
35	Bearing, Int	Bronze	
36	Intermediate Bowl	C.I. CL. 30	
38	Impeller	Bronze	
39	Collet, 2nd Stage	Stn. Stl.	
40	Suction Bell	C.I. CL. 30	
41	Bearing, Suction	Bronze	
42	Strainer	Glv. Stl.	
54	Discharge Bowl	C.I. CL. 30	
57	Liner (Optional)	Bronze	
59	Suction Plug	C.I.	
613	Fastener, Col/Bowl	Steel	
616	Fastener, Bowl	Steel	
618	Bearing, Bowl	Bronze	
625	Key, Impeller	Stn. Stl.	
628	Retainer, Thrust Ring	Bronze	
629	Split Thrust Ring	Stn. Stl.	
630	Fastener, Retainer	Stn. Stl.	
631	Fastener, Strainer	Stn. Stl.	
656	Discharge Bowl Cap	C.I.	
659	Pipe Plug, Bowl Ports	C.I.	
678	Impeller, 2nd Stage	Bronze	



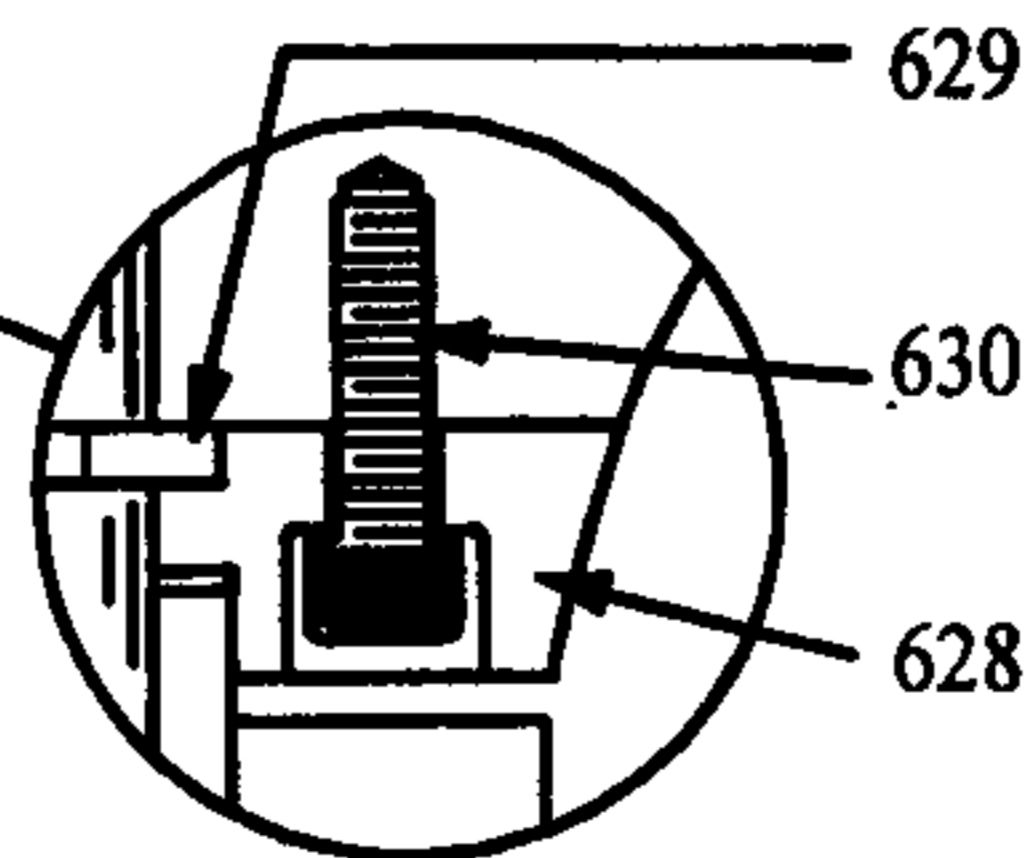
CROSS-SECTIONAL DRAWING

DRAWING NO. _____

DATE: _____



Item No.	Part Name	Material	
		Standard	Optional
31	Imp. Shaft Coupling	Steel	
32	Imp. Shaft	416 S.S.	
35	Bearing, Int	Bronze	
36	Intermediate Bowl	C.I. CL. 30	
38	Impeller	Bronze	
39	Collet, 2nd Stage	Stn. Stl.	
40	Suction Bell	C.I. CL. 30	
41	Bearing, Suction	Bronze	
42	Strainer	Glv. Stl.	
54	Discharge Bowl	C.I. CL. 30	
57	Liner (Optional)	Bronze	
59	Suction Plug	C.I.	
609	Bowl Tube Connector	Bronze	
613	Fastener, Col/Bowl	Steel	
616	Fastener, Bowl	Steel	
618	Bearing, Bowl	Bronze	
625	Key, Impeller	Stn. Stl.	
628	Retainer, Thrust Ring	Bronze	
629	Split Thrust Ring	Stn. Stl.	
630	Fastener, Retainer	Stn. Stl.	
631	Fastener, Strainer	Stn. Stl.	
678	Impeller, 2nd Stage	Bronze	



CROSS-SECTIONAL DRAWING

DRAWING NO. _____

DATE: _____