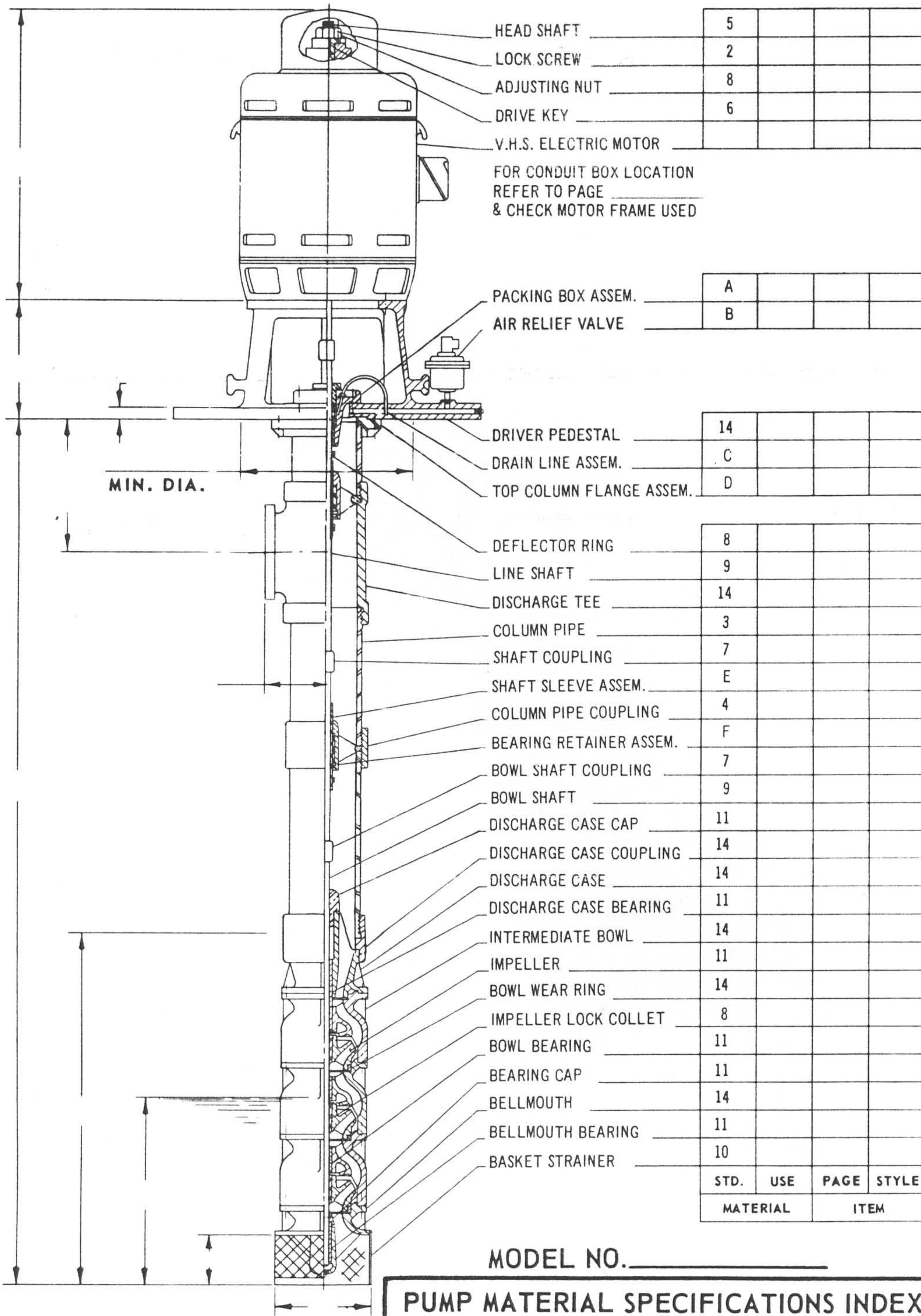


Verti-Line PUMP

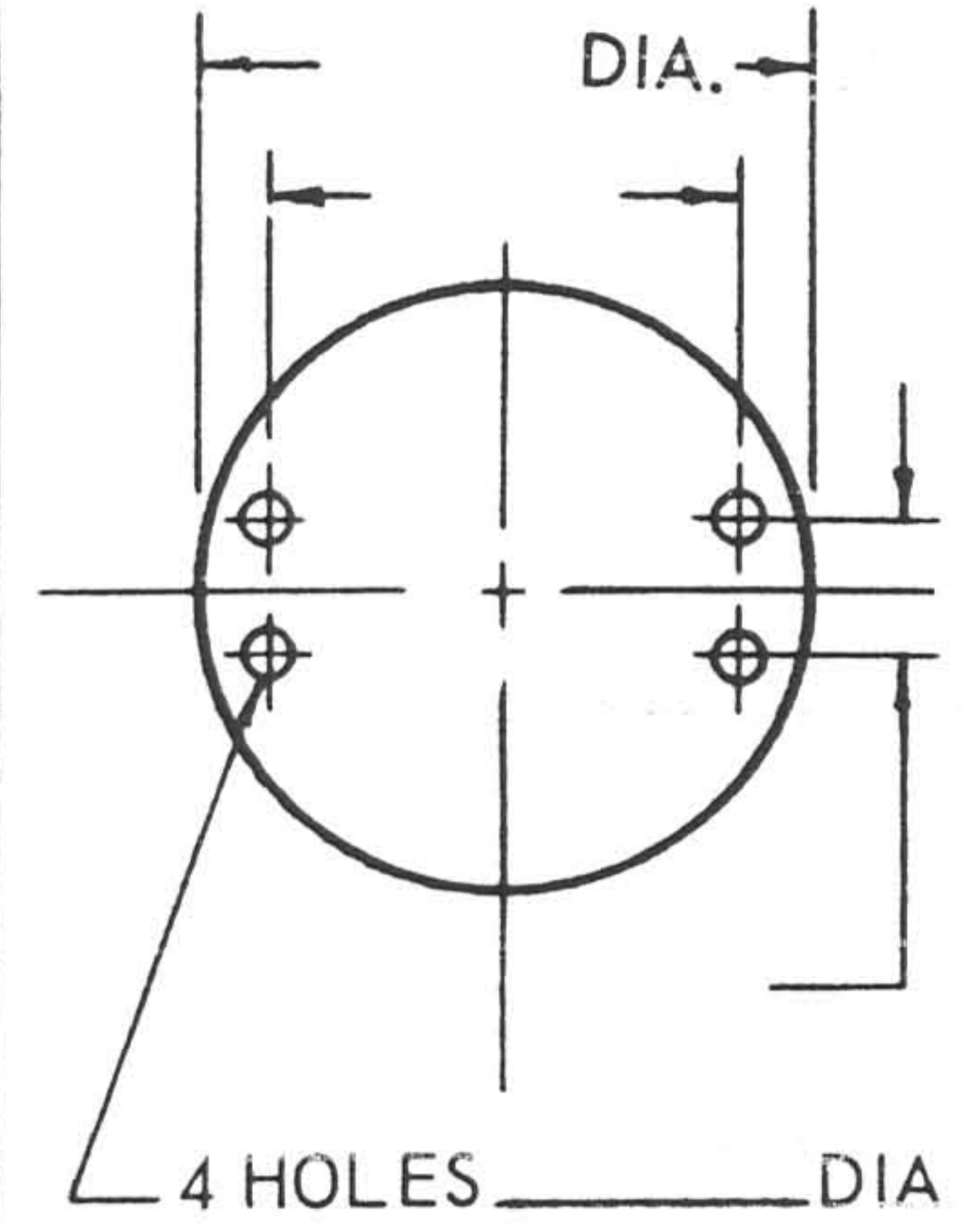


OPEN LINESHAFT - THREADED COLUMN

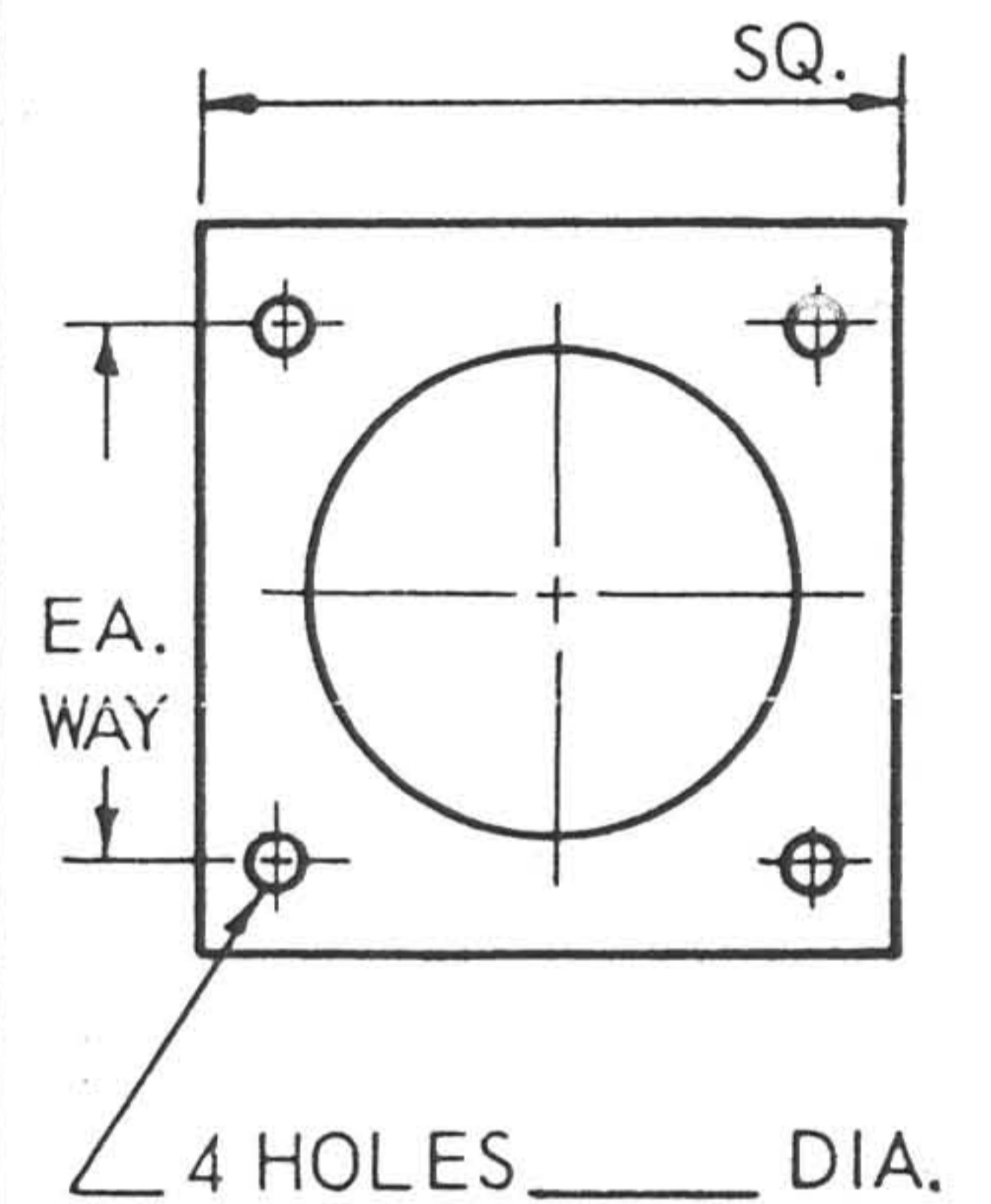


SEE PUMP MATERIAL SPECIFICATION INDEX BELOW

ROUND BASE PLATE DIMENSIONS



SQUARE BASE PLATE DIMENSIONS



NOTE:

USE CERTIFICATION OR APPROVAL STAMP ON REVERSE SIDE.

RAISED FACED DISCHARGE FLANGE AVAILABLE ONLY WHEN REQUESTED.

PUMP MATERIAL SPECIFICATIONS INDEX

1	Steel ASTM A 7	7	Steel SAE 1144	13	Neoprene	19	A	Refer to page
2	Steel SAE 1018 GR 2	8	Steel SAE 1113	14	Moly Iron Class 35	20	B	Refer to page
3	Steel ASA A120 GR B	9	Steel AISI 416	15		21	C	Refer to page
4	Steel ASTM A 107	10	Coated Steel	16		22	D	Refer to page
5	Steel SAE 1045	11	Bronze SAE 40	17		23	E	Refer to page
6	Steel SAE 1019	12	Rubber	18		24	F	Refer to page

LAYNE & BOWLER PUMP COMPANY

CITY OF INDUSTRY, CALIFORNIA (GREATER LOS ANGELES) PUENTE AVENUE AT VALLEY BOULEVARD ZIP MAIL → BOX 1300, LA PUENTE, CALIFORNIA 91747

CUST. _____ L & B QUOTE (or order) NO. _____
 _____ NO. _____ SPEC. _____ ITEM. _____
 USER _____ TOTAL LGTH. _____ TOTAL WT. _____
 _____ NO. _____ BY _____ DATE _____