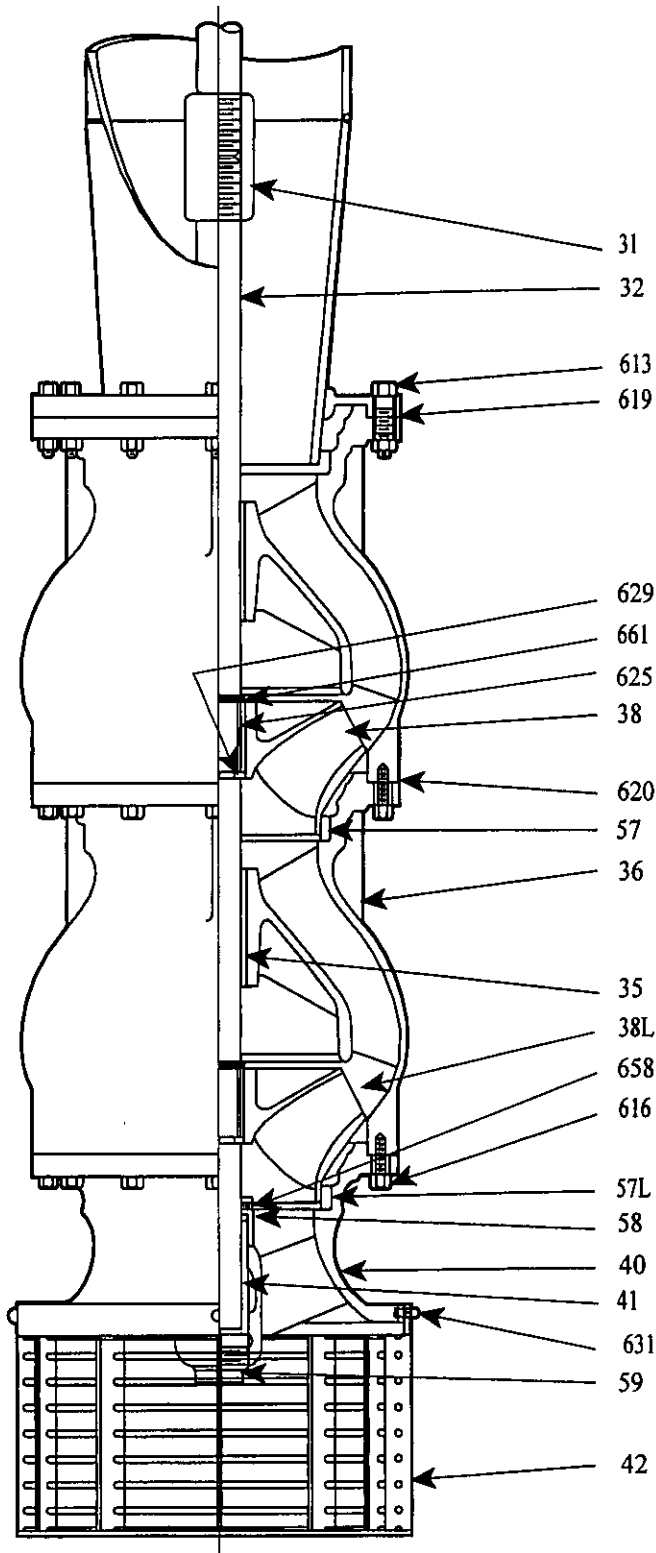




36G Bowl Assembly Open Line Shaft Flanged Column



Item No.	Part Name	Material	
		Standard	Optional
660	Bowl Assy	-----	
31	Imp. Shaft Coupling	Steel	
32	Imp. Shaft	416 S.S.	
35	Bearing, Bowl	Bronze	
36	Bowl	C.I. CL. 30	
38	Impeller	Bronze	
38L	Impeller, Low N.P.S.H.	Bronze	
40	Suction Bell	C.I. CL. 30	
41	Bearing, Suction	Bronze	
42	Strainer	Glv. Stl.	
57	Wear Ring	Bronze	
57L	Wear Ring, Low N.P.S.H.	Bronze	
58	Sand Collar	Bronze	
59	Suction Plug	Cast Iron	
613	Fastener, Col/Bowl	Steel	
616	Fastener, Bowl	Steel	
619	Gasket, Bowl/Col	-----	
620	Gasket, Bowl	-----	
625	Key, Impeller	Stn. Stl.	
629	Split Thrust Ring	Stn. Stl.	
631	Machine Screw, Strainer	Stn. Stl.	
658	Set Screw, Collar	Stn. Stl.	
661	Retaining Ring	Stn. Stl.	

CROSS-SECTIONAL DRAWING

DRAWING NO. _____

DATE: _____