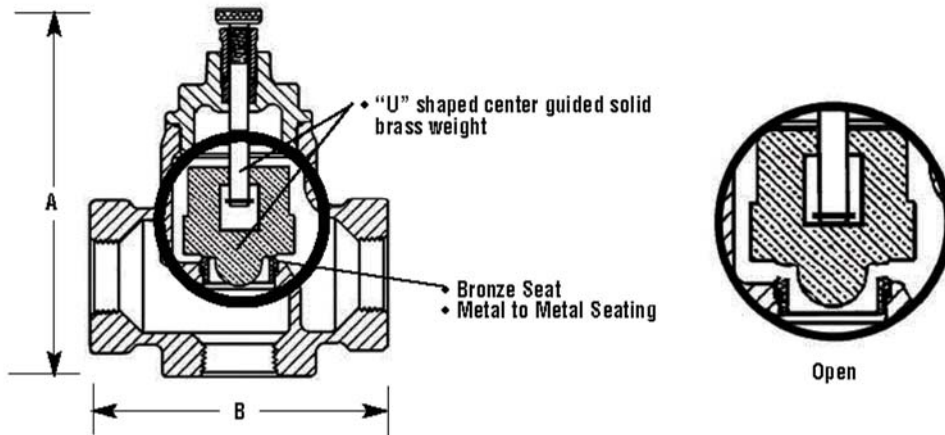


AURORA ACCESSORIES

WATTS TWO WAY FLOW CHECK



MODEL	SIZE	A	B	WT
2000-M5	3/4"	5.00 (127)	4.13 (105)	3 (1.4)
2000-M5	1"	5.00 (127)	4.13 (105)	3 (1.4)
2000-M5	1-1/4"	5.63 (143)	4.75 (121)	4.5 (2.0)
2000-M5	1-1/2"	7.25 (184)	5.00 (127)	8 (3.6)
2000-M5	2"	7.50 (191)	6.88 (175)	12 (5.4)
2000-M5	2-1/2"	9.63 (245)	8.38 (213)	22 (10.0)
2000-M5	3"	10.00 (250)	9.00 (229)	24 (10.9)
2000S-M5	3/4" Solder	3.63 (92)	3.00 (76)	1 (.5)
2000S-M5	1" Solder	3.88 (98)	3.75 (95)	2 (.9)

For use on hydronic systems to prevent water flow by gravity circulation. Model 2000-M5: Iron body with bronze seat and guide. Model 2000S-M5: Bronze body with bronze seat and guide.

NOTES:

1. All dimensions in inches (mm), lbs (kg)
2. Dimensions may vary plus minus 1/8 (3)
3. Maximum working pressure: Size $\frac{1}{2}$ " to 1-1/4" is 50 psi (345 kPa)
Size 1-1/2" to 3" is 125 psi (8.6 Bar)
4. Maximum working temperature 250 deg F (121 deg C)
5. For additional information visit www.wattsreg.com