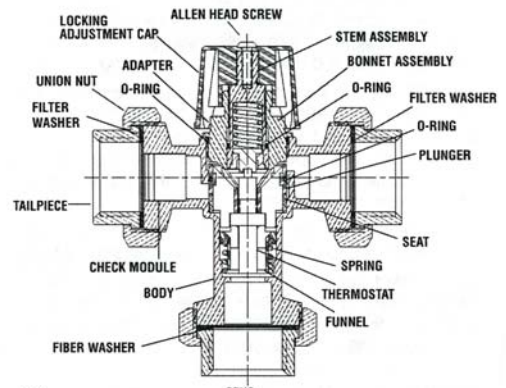
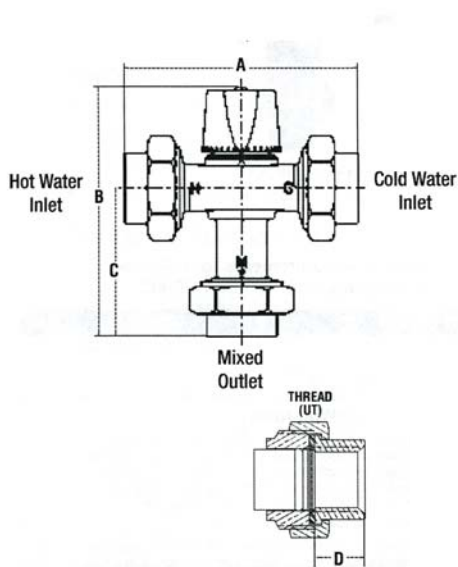


AURORA ACCESSORIES

WATTS HOT WATER TEMPERATURE CONTROL VALVE



MODEL	SIZE	A	B	C	D	WT
1170-UT M2	1/2"	4.88 (124)	5.44 (137)	3.19 (80)	0.50 (13)	1.5 (.68)
1170-UT M2	3/4"	4.88 (124)	5.44 (137)	3.19 (80)	0.56 (14)	1.6 (.73)
1170-UT M2	1"	5.31 (135)	5.63 (143)	3.38 (86)	0.69 (17)	1.6 (.73)
L1170-UT M2	1/2"	4.88 (124)	5.44 (137)	3.19 (80)	0.50 (13)	1.5 (.68)
L1170-UT M2	3/4"	4.88 (124)	5.44 (137)	3.19 (80)	0.56 (14)	1.6 (.73)
L1170-UT M2	1"	5.31 (135)	5.63 (143)	3.38 (86)	0.69 (17)	1.6 (.73)

Used on boiler supply lines to control the temperature of supply water to heating zones. Mix's hot boiler water with cooler return water to provide control of water in the domestic hot water system

Minimum supply static pressure: 30psi (207 kPa)

Minimum Flow requirement to maintain temperature: 0.5 gpm (1.9 lpm)

Inlet Temperatures: Hot inlet 120-200 deg F (49-93 deg C)

Cold inlet: 40-85 deg F (5-29 deg C)

Minimum Differential Pressure: 15 deg F (9 deg C)

Model 1170-UT M2 temperature out: 90-160 deg F (32-71 deg C)

Model L1170-UT M2 temperature out: 60-120 deg F (16-49 deg C)

NOTES:

1. All dimensions in inches (mm), lbs (kg)
2. Dimensions may vary plus minus 1/8 (3)
3. Maximum working pressure: 150 psi (345 10 Bar)
4. Maximum working temperature 200 deg F (93 deg C)
5. For additional information visit www.wattsreg.com