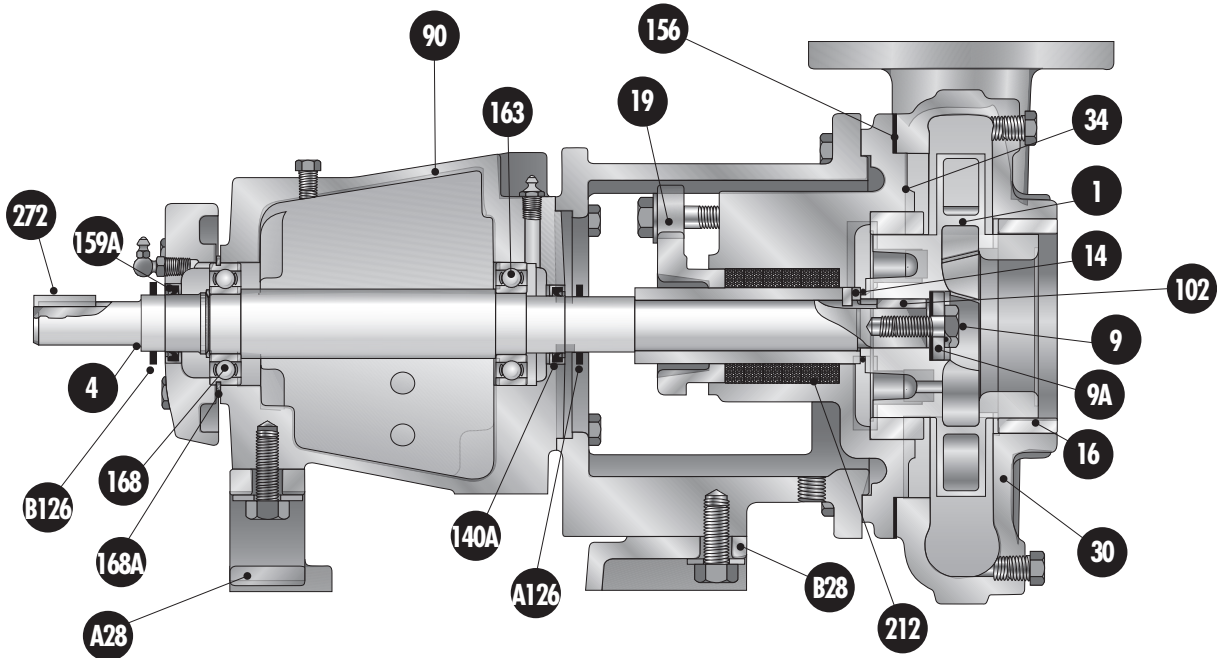


# 2500/1500 Series Single Stage End Suction Pumps Technical Data

## Table of Contents

1500 Single Stage End Suction Pumps Horizontal Assembly, Material Specification and Parts List .....	089
2500 Single Stage End Suction Pumps Horizontal Assembly, Material Specification and Parts List .....	090
1500 Single Stage End Suction Pumps Vertical Bilttogether Assembly .....	091
1500 and 2500 Single Stage End Suction Pumps Vertical Bilttogether Material Specification and Parts List .....	092
1500 Single Stage End Suction Pumps Horizontal Bilttogether Assembly, Material Specification and Parts List .....	093
2500 Single Stage End Suction Pumps Horizontal Bilttogether Material Specification and Parts List .....	094
1500 and 2500 Single Stage End Suction Pumps Engineering Details .....	095
2520 and 1520 Single Stage End Suction Pumps Basic Pump Dimensions .....	096–098
2520 and 1520 Single Stage End Suction Pumps Setting Plans .....	099–106
2550, 2530, 1550 and 1530 Single Stage End Suction Pumps Basic Pump Dimensions .....	107–113
2550 and 1550 Single Stage End Suction Pumps Setting Plans .....	114–115

## Notes:



Assembly Drawing – Model 1520

Frame Mounted 1520

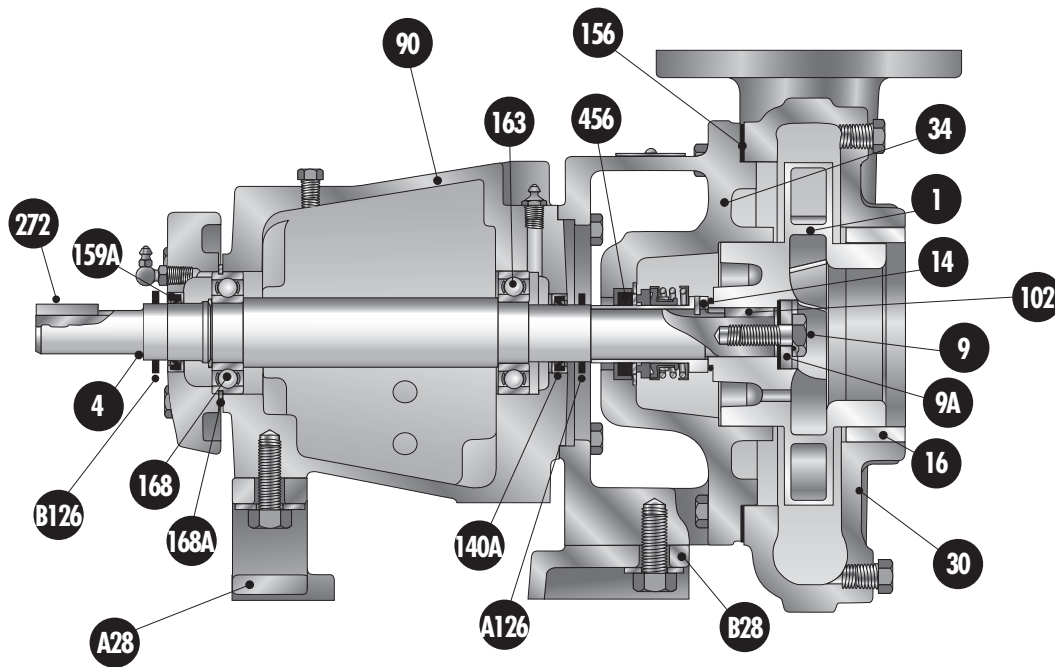
Ref. No.	Description	Standard Fitted		Bronze Fitted		All Iron Fitted		All Bronze Fitted	
		Material	Spec (1)	Material	Spec (1)	Material	Spec (1)	Material	Spec (1)
1	Impeller	Cast Iron	A48-C30	Bronze	B584	Cast Iron	A48-C30	Bronze	B584
4	Shaft	Steel	AISI C1045	Steel	AISI C1045	Steel	AISI C1045	Steel	AISI C1045
9	Bolt, Impeller	Steel	SAE #5	Steel	SAE #5	Steel	SAE #5	Steel	SAE #5
9A	Washer, Impeller	Steel	Wrought	Steel	Wrought	Steel	Wrought	Steel	Wrought
14	Sleeve, Shaft	Bronze	B62	Bronze	B62	Stainless Steel	AISI 316	Bronze	B62
16	Wear Ring, Case (Front)	Bronze	B62	Bronze	B62	Cast Iron	A48-CL30	Bronze	B62
19	Gland	Cast Iron	A48-CL30	Bronze	B62	Cast Iron	A48-CL30	Bronze	B63
A28	Foot, Mounting	Cast Iron	A48-CL30	Cast Iron	A48-CL30	Cast Iron	A48-CL30	Cast Iron	A48-CL30
B28	Foot, Mounting	Steel/Cast Iron	Wrought/A48-CL30	Steel/Cast Iron	Wrought/A48-CL30	Steel/Cast Iron	Wrought/A48-CL30	Steel/Cast Iron	Wrought/A48-CL30
30	Volute	Cast Iron	A48-CL30	Cast Iron	A48-CL30	Cast Iron	A48-CL30	Bronze	B62
34	Cover	Cast Iron	A48-CL30	Cast Iron	A48-CL30	Cast Iron	A48-CL30	Bronze	B63
90	Frame, Bearing	Cast Iron	A48-CL30	Cast Iron	A48-CL30	Cast Iron	A48-CL30	Cast Iron	A48-CL30
102	Key, Impeller	Steel	Wrought	Steel	Wrought	Steel	Wrought	Steel	Wrought
A126	Deflector, Inner	Neoprene	Commercial	Neoprene	Commercial	Neoprene	Commercial	Neoprene	Commercial
B126	Deflector, Outer	Neoprene	Commercial	Neoprene	Commercial	Neoprene	Commercial	Neoprene	Commercial
140A	Seal, Inner Grease	Steel & Buna-N	Commercial	Steel & Buna-N	Commercial	Steel & Buna-N	Commercial	Steel & Buna-N	Commercial
156	Gasket, Volute	Nitrile	Butadiene Cellulose	Nitrile	Butadiene Cellulose	Nitrile	Butadiene Cellulose	Nitrile	Butadiene Cellulose
159A	Seal, Outer Grease	Steel & Buna-N	Commercial	Steel & Buna-N	Commercial	Steel & Buna-N	Commercial	Steel & Buna-N	Commercial
163	Bearing, Radial	Steel	Commercial	Steel	Commercial	Steel	Commercial	Steel	Commercial
168	Bearing, Thrust	Steel	Commercial	Steel	Commercial	Steel	Commercial	Steel	Commercial
168A	Snap Ring, Bearing	Steel	—	Steel	—	Steel	—	Steel	—
212	Packing	Synthetic Packing, Graphite Impregnated	J.C. C1065/C1066 Durametalllic TGF	Synthetic Packing, Graphite Impregnated	J.C. C1065/C1066 Durametalllic TGF	Synthetic Packing, Graphite Impregnated	J.C. C1065/C1066 Durametalllic TGF	Synthetic Packing, Graphite Impregnated	J.C. C1065/C1066 Durametalllic TGF
272	Key, Coupling	Steel	—	Steel	—	Steel	—	Steel	—

Options to Basic Pumps

Ref. No.	Description	Material	Spec (1)	Material	Spec (1)	Material	Spec (1)	Material	Spec (1)
10	Lantern Ring (2)	Teflon®	Commercial	Teflon®	Commercial	Teflon®	Commercial	Teflon®	Commercial
17	Wear Ring, Impeller (Front) (2)	Bronze	B62	Bronze	B62	Cast Iron	A48-CL30	Bronze	B62
17	Wear Ring, Impeller (Rear) (2)	Bronze	B62	Bronze	B62	Cast Iron	A48-CL30	Bronze	B62
31	Gland, Solid (2)	Cast Iron	A48-CL30	Bronze	B62	Cast Iron	A48-CL30	Bronze	B62
456	Mechanical Seal (2)	—	—	—	—	—	—	—	—

(1) All material designations are ASTM unless otherwise noted.

(2) Not Shown.



Assembly Drawing – Model 2520

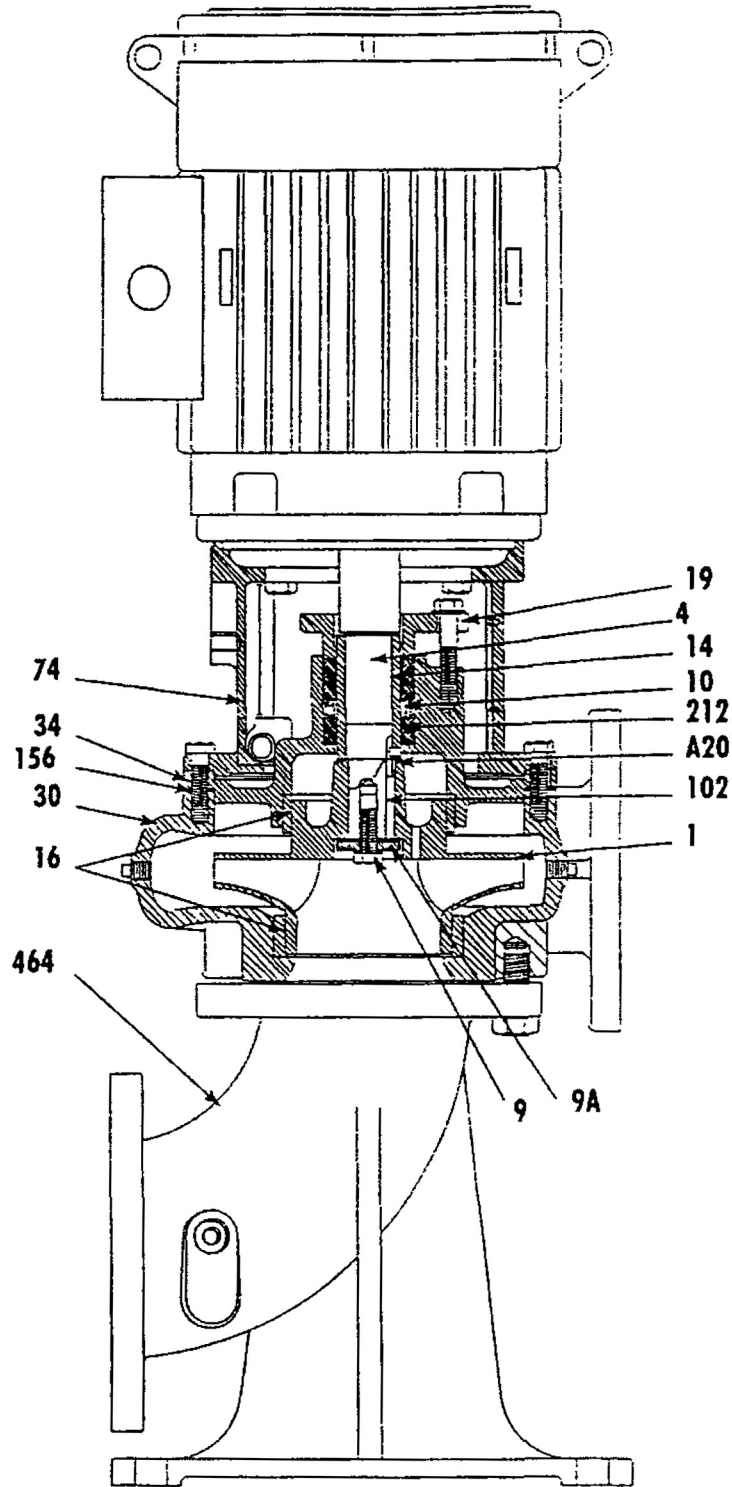
Frame Mounted 2520

Ref. No.	Description	Standard Fitted		Bronze Fitted		All Iron Fitted		All Bronze Fitted	
		Material	Spec (1)	Material	Spec (1)	Material	Spec (1)	Material	Spec (1)
1	Impeller	Cast Iron	A48-C30	Bronze	B584	Cast Iron	A48-C30	Bronze	B584
4	Shaft	Steel	AISI C1045	Steel	AISI C1045	Steel	AISI C1045	Steel	AISI C1045
9	Bolt, Impeller	Steel	SAE #5	Steel	SAE #5	Steel	SAE #5	Steel	SAE #5
9A	Washer, Impeller	Steel	Wrought	Steel	Wrought	Steel	Wrought	Steel	Wrought
14	Sleeve, Shaft	Bronze	B62	Bronze	B62	Stainless Steel	AISI 316	Bronze	B62
16	Wear Ring, Case (Front)	Bronze	B62	Bronze	B62	Cast Iron	A48-CL30	Bronze	B62
A28	Foot, Mounting	Cast Iron	A48-CL30	Cast Iron	A48-CL30	Cast Iron	A48-CL30	Cast Iron	A48-CL30
B28	Foot, Mounting	Steel/Cast Iron	Wrought/A48-CL30	Steel/Cast Iron	Wrought/A48-CL30	Steel/Cast Iron	Wrought/A48-CL30	Steel/Cast Iron	Wrought/A48-CL30
30	Volute	Cast Iron	A48-CL30	Cast Iron	A48-CL30	Cast Iron	A48-CL30	Bronze	B62
34	Cover	Cast Iron	A48-CL30	Cast Iron	A48-CL30	Cast Iron	A48-CL30	Bronze	B63
90	Frame, Bearing	Cast Iron	A48-CL30	Cast Iron	A48-CL30	Cast Iron	A48-CL30	Cast Iron	A48-CL30
102	Key, Impeller	Steel	Wrought	Steel	Wrought	Steel	Wrought	Steel	Wrought
A126	Deflector, Inner	Neoprene	Commercial	Neoprene	Commercial	Neoprene	Commercial	Neoprene	Commercial
B126	Deflector, Outer	Neoprene	Commercial	Neoprene	Commercial	Neoprene	Commercial	Neoprene	Commercial
140A	Seal, Inner Grease	Steel & Buna-N	Commercial	Steel & Buna-N	Commercial	Steel & Buna-N	Commercial	Steel & Buna-N	Commercial
156	Gasket, Volute	Nitrile	Butadiene Cellulose	Nitrile	Butadiene Cellulose	Nitrile	Butadiene Cellulose	Nitrile	Butadiene Cellulose
159A	Seal, Outer Grease	Steel & Buna-N	Commercial	Steel & Buna-N	Commercial	Steel & Buna-N	Commercial	Steel & Buna-N	Commercial
163	Bearing, Radial	Steel	Commercial	Steel	Commercial	Steel	Commercial	Steel	Commercial
168	Bearing, Thrust	Steel	Commercial	Steel	Commercial	Steel	Commercial	Steel	Commercial
168A	Snap Ring, Bearing	Steel	—	Steel	—	Steel	—	Steel	—
272	Key, Coupling	Steel		Steel		Steel		Steel	
456	Mechanical Seal	303 Stainless Steel Metal Parts, Buna-N Elastomer Parts, Ni-Resist Seat and Carbon Washer						303 Stainless Steel Metal Parts, Viton® Elastomer, Ceramic Seat and Carbon Washer	

Options to Basic Pumps

Ref. No.	Description	Material	Spec (1)	Material	Spec (1)	Material	Spec (1)	Material	Spec (1)
17	Wear Ring, Impeller (Front) (2)	Bronze	B62	Bronze	B62	Cast Iron	A48-CL30	Bronze	B62
17	Wear Ring, Impeller (Rear) (2)	Bronze	B62	Bronze	B62	Cast Iron	A48-CL30	Bronze	B62

(1) All material designations are ASTM unless otherwise noted.  
(2) Not Shown.



Assembly Drawing – Model 1530

**Vertical Bilttogether Model 1530**

Ref. No.	Description	Standard Fitted		Bronze Fitted		All Iron Fitted	
		Material	Spec (1)	Material	Spec (1)	Material	Spec (1)
1	Impeller	Cast Iron	A48-C30	Bronze	B584	Cast Iron	A48-C30
4	Shaft	Steel	AISI C1045	Steel	AISI C1045	Steel	AISI C1045
9	Bolt, Impeller	Steel	SAE #5	Steel	SAE #5	Steel	SAE #5
9A	Washer, Impeller	Steel	Wrought	Steel	Wrought	Steel	Wrought
14	Sleeve, Shaft	Bronze	CDA 83600	Bronze	CDA 83600	Stainless Steel	AISI 316
16	Wear Ring, Case (Front)	Bronze	B62	Bronze	B62	Cast Iron	A48-CL30
16	Wear Ring, Case (Rear)	Bronze	B62	Bronze	B62	Cast Iron	A48-CL30
19	Gland	Cast Iron	A48-CL30	Bronze	B62	Cast Iron	A48-CL30
A20	O-Ring, Sleeve	Rubber	Buna-N	Rubber	Buna-N	Rubber	Buna-N
30	Volute	Cast Iron	A48-CL30	Cast Iron	A48-CL30	Cast Iron	A48-CL30
34	Cover	Cast Iron	A48-CL30	Cast Iron	A48-CL30	Cast Iron	A48-CL30
74	Motor Bracket	Cast Iron	A48-CL30	Cast Iron	A48-CL30	Cast Iron	A48-CL30
102	Key, Impeller	Steel	Wrought	Steel	Wrought	Steel	Wrought
156	Gasket, Volute	Nitrile	Butadiene Cellulose	Nitrile	Butadiene Cellulose	Nitrile	Butadiene Cellulose
212	Packing	Synthetic Packing, Graphite Impregnated	J.C. C1065/C1066 Durametalllic TGF	Synthetic Packing, Graphite Impregnated	J.C. C1065/C1066 Durametalllic TGF	Synthetic Packing, Graphite Impregnated	J.C. C1065/C1066 Durametalllic TGF
464	Combination Base/Elbow	Cast Iron	A48-CL30	Cast Iron	A48-CL30	Cast Iron	A48-CL30

**Options to Basic Pumps**

Ref. No.	Description	Material	Spec (1)	Material	Spec (1)	Material	Spec (1)
10	Lantern Ring (2)	Teflon®	Commercial	Teflon®	Commercial	Teflon®	Commercial
17	Wear Ring, Impeller (Front) (2)	Bronze	B62	Bronze	B62	Cast Iron	A48-CL30
17	Wear Ring, Impeller (Rear) (2)	Bronze	B62	Bronze	B62	Cast Iron	A48-CL30
31	Gland, Solid (2)	Cast Iron	A48-CL30	Cast Iron	A48-CL30	Cast Iron	A48-CL30
456	Mechanical Seal (2)	—	—	—	—	—	—

**Vertical Bilttogether Model 2530(2)**

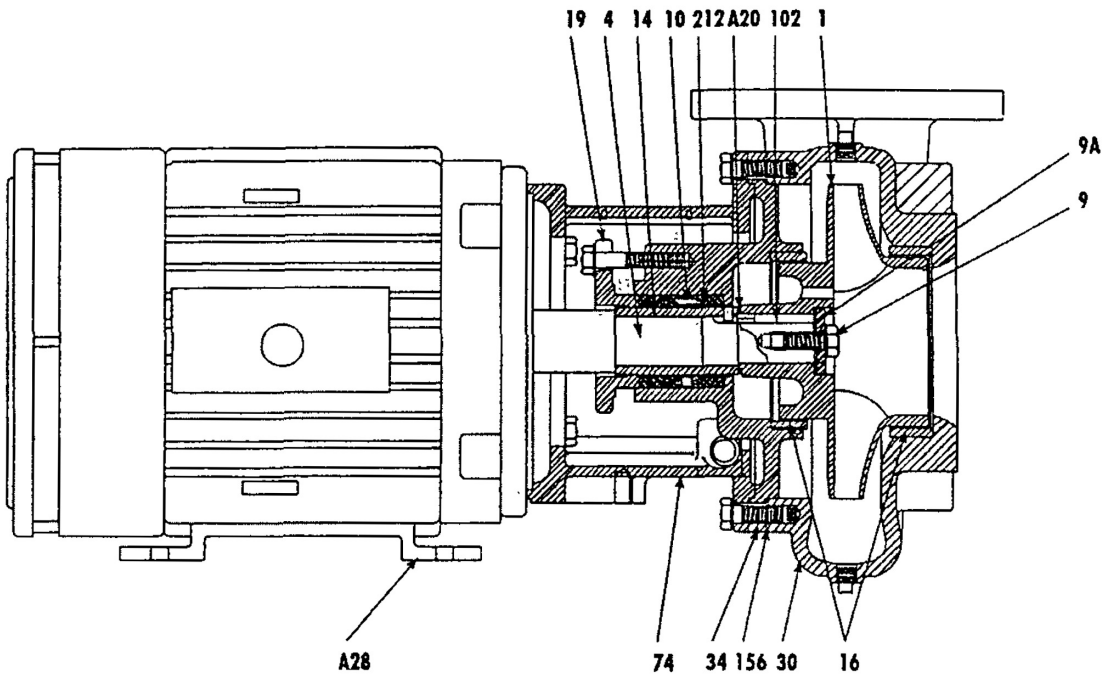
Ref. No.	Description	Standard Fitted		Bronze Fitted		All Iron Fitted	
		Material	Spec (1)	Material	Spec (1)	Material	Spec (1)
1	Impeller	Cast Iron	A48-C30	Bronze	B584	Cast Iron	A48-C30
4	Shaft	Steel	AISI C1045	Steel	AISI C1045	Steel	AISI C1045
9	Bolt, Impeller	Steel	SAE #5	Steel	SAE #5	Steel	SAE #5
9A	Washer, Impeller	Steel	Wrought	Steel	Wrought	Steel	Wrought
14	Sleeve, Shaft	Bronze	CDA 83600	Bronze	CDA 83600	Stainless Steel	AISI 316
16	Wear Ring, Case (Front)	Bronze	B62	Bronze	B62	Cast Iron	A48-CL30
16	Wear Ring, Case (Rear)	Bronze	B62	Bronze	B62	Cast Iron	A48-CL30
A20	O-Ring, Sleeve	Rubber	Buna-N	Rubber	Buna-N	Rubber	Buna-N
30	Volute	Cast Iron	A48-CL30	Cast Iron	A48-CL30	Cast Iron	A48-CL30
34	Cover	Cast Iron	A48-CL30	Cast Iron	A48-CL30	Cast Iron	A48-CL30
74	Motor Bracket	Cast Iron	A48-CL30	Cast Iron	A48-CL30	Cast Iron	A48-CL30
102	Key, Impeller	Steel	Wrought	Steel	Wrought	Steel	Wrought
156	Gasket, Volute	Nitrile	Butadiene Cellulose	Nitrile	Butadiene Cellulose	Nitrile	Butadiene Cellulose
456	Mechanical Seal	303 Stainless Steel Metal Parts, Buna-N Elastomer Parts, Ni-Resist Seat and Carbon Washer					
464	Combination Base/Elbow	Cast Iron	A48-CL30	Cast Iron	A48-CL30	Cast Iron	A48-CL30

**Options to Basic Pumps**

Ref. No.	Description	Material	Spec (1)	Material	Spec (1)	Material	Spec (1)
17	Wear Ring, Impeller (Front) (2)	Bronze	B62	Bronze	B62	Cast Iron	A48-CL30
17	Wear Ring, Impeller (Rear) (2)	Bronze	B62	Bronze	B62	Cast Iron	A48-CL30

(1) All material designations are ASTM unless otherwise noted.

(2) Not Shown.



Assembly Drawing – Model 1550

Horizontal Bilttogether Model 1550

Ref. No.	Description	Standard Fitted		Bronze Fitted		All Iron Fitted		All Bronze Fitted	
		Material	Spec (1)	Material	Spec (1)	Material	Spec (1)	Material	Spec (1)
1	Impeller	Cast Iron	A48-CL30	Bronze	CDA 87500	Cast Iron	A48-CL30	Bronze	CDA 87500
4	Shaft	Steel	AISI C1045	Steel	AISI C1045	Steel	AISI C1045	Steel	AISI C1045
9	Bolt, Impeller	Steel	SAE #5	Steel	SAE #5	Steel	SAE #5	Steel	SAE #5
9A	Washer, Impeller	Steel	Wrought	Steel	Wrought	Steel	Wrought	Steel	Wrought
14	Sleeve, Shaft	Bronze	B62	Bronze	B62	Cast Iron	A48-CL30	Bronze	B62
16	Wear Ring, Case (Front)	Bronze	B62	Bronze	B62	Cast Iron	A48-CL30	Bronze	B62
16	Wear Ring, Case (Rear)	Bronze	B62	Bronze	B62	Cast Iron	A48-CL30	Bronze	B62
19	Gland	Cast Iron	A48-CL30	Bronze	B62	Cast Iron	A48-CL30	Bronze	B62
A20	O-Ring, Sleeve	Rubber	Buna-N	Rubber	Buna-N	Rubber	Buna-N	Rubber	Buna-N
30	Volute	Cast Iron	A48-CL30	Cast Iron	A48-CL30	Cast Iron	A48-CL30	Bronze	B62
34	Cover	Cast Iron	A48-CL30	Cast Iron	A48-CL30	Cast Iron	A48-CL30	Bronze	B62
74	Motor Bracket	Cast Iron	A48-CL30	Cast Iron	A48-CL31	Cast Iron	A48-CL32	Cast Iron	A48-CL33
102	Key, Impeller	Steel	Wrought	Steel	Wrought	Steel	Wrought	Steel	Wrought
156	Gasket, Volute	Nitrile	Butadiene Cellulose	Nitrile	Butadiene Cellulose	Nitrile	Butadiene Cellulose	Nitrile	Butadiene Cellulose
212	Packing	Synthetic Packing, Graphite Impregnated	J.C. C1065/C1066 Durametallic TGF	Synthetic Packing, Graphite Impregnated	J.C. C1065/C1066 Durametallic TGF	Synthetic Packing, Graphite Impregnated	J.C. C1065/C1066 Durametallic TGF	Synthetic Packing, Graphite Impregnated	J.C. C1065/C1066 Durametallic TGF

Options to Basic Pumps

Ref. No.	Description	Material	Spec (1)	Material	Spec (1)	Material	Spec (1)	Material	Spec (1)
10	Lantern Ring	Teflon®	Commercial	Teflon®	Commercial	Teflon®	Commercial	Teflon®	Commercial
17	Wear Ring, Impeller (Front) (2)	Bronze	B62	Bronze	B62	Cast Iron	A48-CL30	Bronze	B62
17	Wear Ring, Impeller (Rear) (2)	Bronze	B62	Bronze	B62	Cast Iron	A48-CL30	Bronze	B62
31	Gland, Solid	Cast Iron	A48-CL30	Bronze	B62	Cast Iron	A48-CL30	Bronze	B62
456	Mechanical Seal (2)	–	–	–	–	–	–	–	–

(1) All material designations are ASTM unless otherwise noted.  
(2) Not Shown.

**Horizontal Biltogether Model 2550(2)**

Ref. No.	Description	Standard Fitted		Bronze Fitted		All Iron Fitted		All Bronze Fitted		
		Material	Spec (1)	Material	Spec (1)	Material	Spec (1)	Material	Spec (1)	
1	Impeller	Cast Iron	A48-CL30	Bronze	CDA 87500	Cast Iron	A48-CL30	Bronze	CDA 87500	
4	Shaft	Steel	AISI C1045	Steel	AISI C1045	Steel	AISI C1045	Steel	AISI C1045	
9	Bolt, Impeller	Steel	SAE #5	Steel	SAE #5	Steel	SAE #5	Steel	SAE #5	
9A	Washer, Impeller	Steel	Wrought	Steel	Wrought	Steel	Wrought	Steel	Wrought	
14	Sleeve, Shaft	Bronze	B62	Bronze	B62	Cast Iron	A48-CL30	Bronze	B62	
16	Wear Ring, Case (Front)	Bronze	B62	Bronze	B62	Cast Iron	A48-CL30	Bronze	B62	
16	Wear Ring, Case (Rear)	Bronze	B62	Bronze	B62	Cast Iron	A48-CL30	Bronze	B62	
A20	O-Ring, Sleeve	Rubber	Buna-N	Rubber	Buna-N	Rubber	Buna-N	Rubber	Buna-N	
30	Volute	Cast Iron	A48-CL30	Cast Iron	A48-CL30	Cast Iron	A48-CL30	Bronze	B62	
34	Cover	Cast Iron	A48-CL30	Cast Iron	A48-CL30	Cast Iron	A48-CL30	Bronze	B62	
74	Motor Bracket	Cast Iron	A48-CL30	Cast Iron	A48-CL31	Cast Iron	A48-CL32	Cast Iron	A48-CL33	
102	Key, Impeller	Steel	Wrought	Steel	Wrought	Steel	Wrought	Steel	Wrought	
156	Gasket, Volute	Nitrile	Butadiene Cellulose	Nitrile	Butadiene Cellulose	Nitrile	Butadiene Cellulose	Nitrile	Butadiene Cellulose	
456	Mechanical Seal	303 Stainless Steel Metal Parts, Buna-N Elastomer Parts, Ni-Resist Seat and Carbon Washer						303 Stainless Steel Metal Parts, Viton® Elastomer, Ceramic Seat and Carbon Washer		

**Options to Basic Pumps**

Ref. No.	Description	Material	Spec (1)	Material	Spec (1)	Material	Spec (1)	Material	Spec (1)
17	Wear Ring, Impeller (Front) (2)	Bronze	B62	Bronze	B62	Cast Iron	A48-CL30	Bronze	B62
17	Wear Ring, Impeller (Rear) (2)	Bronze	B62	Bronze	B62	Cast Iron	A48-CL30	Bronze	B62

(1) All material designations are ASTM unless otherwise noted.

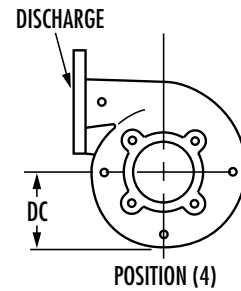
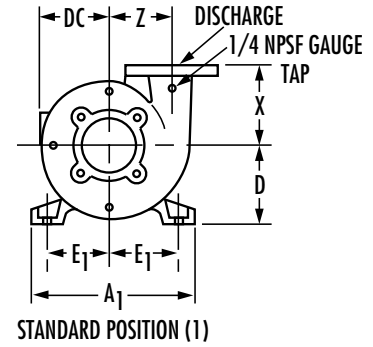
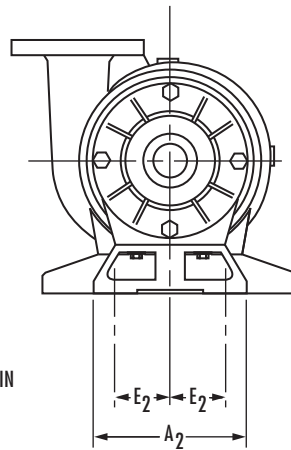
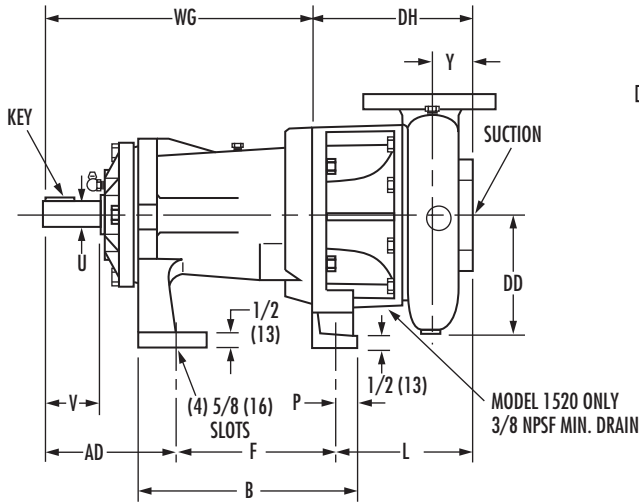
(2) Not Shown.



**Material of Construction**

Model 2520					Model 1520						
Pump Size	3500 RPM	2880 RPM	1750/1440 RPM	1150/960 RPM	Pump Size	3500 RPM	3000 RPM	1750/1440 RPM		1150/960 RPM	
						ENC.	ENC.	ENC.	SEMI.	ENC.	SEMI.
1-1/4" 2521	1	1	1	*	1-1/4" 1521	1	1	1	1	*	*
1-1/4" 2522B	*	*	1	*	1-1/4" 1522B	*	*	1	*	*	*
1-1/2" 2521	1	1	1	*	1-1/2" 1521	1	1	1	1	*	*
1-1/2" 2522A	*	*	1	*	1-1/2" 1522A	*	*	1	2	*	1
1-1/2" 2522B	*	*	1	*	1-1/2" 1522B	*	*	1	*	*	*
1-1/2" 2522C	2	2	1	*	1-1/2" 1522C	2	2	1	*	*	*
1-1/2" 2523	3	3	2	2	1-1/2" 1523	*	*	2	*	2	*
1-1/2" 2524	*	*	2	2	1-1/2" 1524	*	*	2	3	2	2
2" 2521A	2	2	1	*	2" 1521A	2	2	1	1	*	*
2" 2521B	1	1	1	*	2" 1521B	1	1	1	*	*	*
2" 2522	3	3	1	*	2" 1522	3	3	1	*	*	*
2" 2523	*	*	2	2	2" 1523	*	*	2	*	2	*
2" 2524	*	3	2	2	2" 1524	*	*	2	*	2	*
2-1/2" 2521A	1	1	1	*	2-1/2" 1521A	2	2	1	1	*	*
2-1/2" 2521B	2	2	1	*	2-1/2" 1521B	2	2	1	*	*	*
2-1/2" 2522	3	3	1	*	2-1/2" 1522	3	3	2	2	*	2
2-1/2" 2523	*	*	2	2	2-1/2" 1523	*	*	3	3	2	2
3" 2521A	3	3	1	*	3" 1521A	3	3	2	*	*	*
3" 2521B	3	3	1	*	3" 1521B	3	3	2	*	*	*
3" 2522	*	3	2	2	3" 1522	*	*	2	*	2	*
3" 2523	*	*	3	2	3" 1523	*	*	3	3	2	2
4" 2521A	2	2	1	*	4" 1521A	2	2	1	*	*	*
4" 2521B	2	2	1	*	4" 1521B	2	2	1	1	*	*
4" 2522A	3	3	2	*	4" 1522A	3	3	2	*	*	*
4" 2522B	*	*	2	*	4" 1522B	*	*	2	2	*	2
4" 2523	*	3	2	2	4" 1523	*	*	3	*	2	*
4" 2524	*	*	3	2	4" 1524	*	*	3	3	2	2
5" 2521	*	3	3	2	5" 1521	*	*	3	*	2	*
5" 2522	*	*	3	2	5" 1522	*	*	3	3	3	2
6" 2521	*	*	2	2	6" 1521	*	*	2	2	2	2
6" 2522	*	3	3	2	6" 1522	*	*	3	*	2	*
6" 2522A	*	*	3	2	6" 1522A	*	*	3	*	2	*
6" 2523B	*	*	3	3	6" 1523B	*	*	3	*	3	*
6" 2524	*	*	*	*	6" 1524	*	*	21	*	21	*
8" 2524	*	*	*	*	8" 1524	*	*	21	*	21	*

\* = Not Available  
ENC. = Enclosed Impeller  
SEMI. = Semiopen Impeller (Optional)



FRAME	D CASE BORE	
	7	9‡
1	5-1/4 (133)	5-1/4 (133)
2	6-1/4 (158)	7 (177)
3	N/A	7 (177)

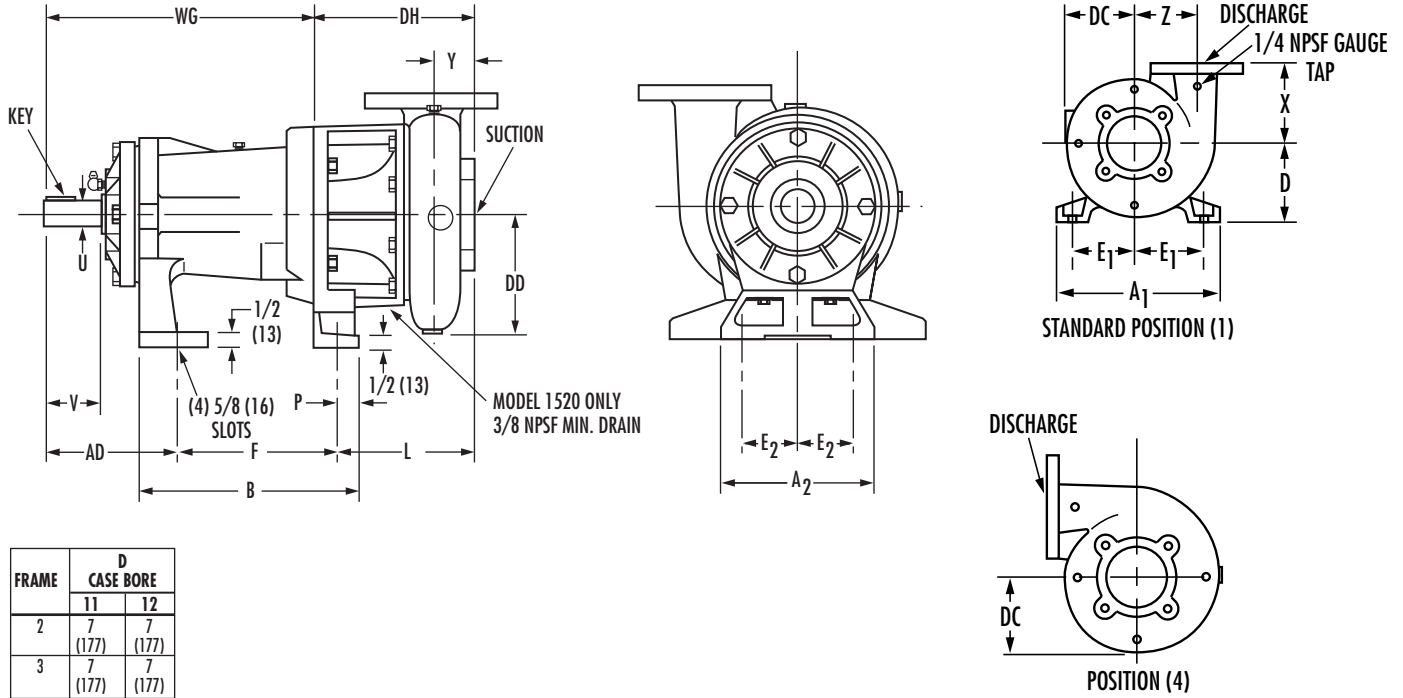
‡ 9" BORE MODEL 2520 NO.1. POWER FRAME D = 6-1/4"

FRAME	A <sub>1</sub>	A <sub>2</sub>	2520		1520		E <sub>1</sub>	E <sub>2</sub>	2520		1520		P	U	V	AD	WG	KEY
			B	B	F	F												
1	10-3/4 (273)	7-3/8 (187)	8-1/16 (205)	9-5/16 (237)	4-1/8 (105)	2 5/8 (67)	5-13/16 (148)	7-1/16 (179)	1-5/16 (33)	7/8 (22)	2-1/8 (54)	5 1/8 (130)	10-5/16 (262)					3/16 SQ x 1-3/8 LG
2	13-1/4 (337)	7 (178)	10-25/32 (274)	12 (305)	5-1/8 (130)	2 1/2 (64)	7-13/32 (188)	8-21/32 (220)	3/4 (19)	1-1/8 (29)	3-1/8 (79)	7-11/16 (195)	13-13/16 (351)					1/4 SQ x 1-3/4 LG
3	13-1/4 (337)	7 (178)	10-25/32 (274)	12 (305)	5-1/8 (130)	2 1/2 (64)	7-13/32 (188)	8-21/32 (220)	3/4 (19)	1-1/8 (29)	3-1/8 (79)	7-11/16 (195)	13-13/16 (351)					1/4 SQ x 1-3/4 LG

PUMPS WITH THREADED CONNECTIONS																	
PUMP SIZE	DISCH.	SUCTION	CASE BORE	X	Y	Z	DC	DD	2520 DH		1520 DH		2520 L		1520 L		
									FRAME 1	FRAME 2 & 3	FRAME 1	FRAME 2 & 3	FRAME 1	FRAME 2 & 3	FRAME 1	FRAME 2 & 3	
1-1/4" 1521 - 1-1/4" 2521	1-1/4	1-1/2	7	5-1/4 (133)	2-7/16 (62)	4-3/16 (106)	4-15/16 (125)	5-3/16 (132)	7-3/16 (183)	N/A	10-1/4 (260)	N/A	7-9/16 (192)	N/A	9-3/8 (238)	N/A	
1-1/4" 1522 - 1-1/4" 2522	1-1/4	1-1/2	9	6-5/8 (168)	2-9/16 (65)	5-3/8 (137)	6-3/16 (157)	6-3/8 (162)	7-1/4 (184)	N/A	10-5/16 (262)	N/A	7-5/8 (194)	N/A	9-7/16 (240)	N/A	
1-1/2" 1521 - 1-1/2" 2521	1-1/2	2	7	5-3/8 (137)	2-1/2 (64)	4-5/16 (110)	5-1/8 (130)	5-3/8 (137)	7-5/16 (186)	N/A	10-3/8 (264)	N/A	7-11/16 (195)	N/A	9-1/2 (241)	N/A	
1-1/2" 1522 - 1-1/2" 2522	1-1/2	2	9	6-3/4 (171)	2-5/8 (67)	5-1/2 (140)	6-5/16 (160)	6-9/16 (167)	7-3/8 (187)	8-3/8 (213)	10-7/16 (265)	11-1/4 (286)	7-3/4 (197)	7-1/8 (181)	9-9/16 (243)	8-3/4 (222)	
PUMPS WITH ANSI 125 LB. FLANGED CONNECTIONS																	
2" 1521 - 2" 2521	2	2-1/2	7	5-5/8 (143)	1-7/8 (48)	4-9/16 (116)	5-3/8 (137)	5-13/16 (148)	6-13/16 (173)	7-13/16 (198)	9-7/8 (251)	10-11/16 (271)	6-3/16 (157)	6-9/16 (167)	8 (203)	8-3/16 (208)	
2" 1522 - 2" 2522	2	2-1/2	9	7 (178)	1-7/8 (48)	5-11/16 (144)	6-1/2 (165)	6-7/8 (175)	6-3/4 (171)	7-3/4 (197)	9-13/16 (249)	10-5/8 (270)	6-1/8 (156)	6-1/8 (156)	7-15/16 (202)	8-1/8 (206)	
2-1/2" 1521 - 2-1/2" 2521	2-1/2	3	7	5-7/8 (149)	2 (51)	4-13/16 (122)	5-13/16 (148)	6-1/4 (159)	7-1/16 (179)	8-1/16 (205)	10-1/8 (257)	10-15/16 (278)	6-7/16 (164)	6-13/16 (173)	8-1/4 (210)	8-7/16 (214)	
2-1/2" 1522 - 2-1/2" 2522	2-1/2	3	9	7-1/4 (184)	2 (51)	5-15/16 (151)	6-3/4 (171)	7-1/4 (184)	7 (178)	8 (203)	N/A	10-7/8 (276)	6-3/8 (162)	6-3/4 (171)	N/A	8-3/8 (213)	
3" 1521 - 3" 2521	3	4	9	7-1/2 (191)	2-1/8 (54)	6-1/8 (156)	6-7/8 (175)	7-7/16 (189)	7-1/4 (184)	8-1/4 (210)	N/A	11-1/8 (283)	6-5/8 (168)	7 (178)	N/A	8-5/8 (219)	
4" 1521 - 4" 2521	4	4	7	6-1/2 (165)	2-1/2 (64)	5-1/2 (140)	6-7/16 (164)	7-5/16 (186)	7-5/16 (186)	8-15/16 (227)	11 (279)	11-13/16 (300)	7-5/16 (186)	7-11/16 (195)	9-1/8 (232)	9-5/16 (237)	
4" 1522A - 4" 2522A	4	5	9A	7-1/4 (184)	3-1/8 (79)	5-3/4 (146)	6-11/16 (170)	7-3/8 (187)	N/A	9-3/8 (238)	N/A	12-1/4 (311)	N/A	8-1/8 (206)	N/A	9-3/4 (248)	
4" 1522B - 4" 2522B	4	5	9B	7-3/4 (197)	2-5/8 (67)	6-5/8 (168)	8-1/16 (205)	8-11/16 (221)	N/A	9 (229)	N/A	11-7/8 (302)	N/A	7-3/4 (197)	N/A	9-3/8 (238)	
6" 1521 - 6" 2521	6	6	9	8-1/4 (210)	2-3/4 (70)	7 (178)	8 (203)	9 (229)	N/A	9-1/4 (235)	N/A	12-1/8 (308)	N/A	8 (203)	N/A	9-5/8 (244)	

- NOTES:
- All dimensions in inches and (mm).
  - Dimensions may vary ± 1/4" (6).
  - Not for construction purposes unless certified.

- N/A = Not Applicable.
- Check discharge position. Casing dimensions that exceed dimension "D" may require pads for the pump and/or motor.



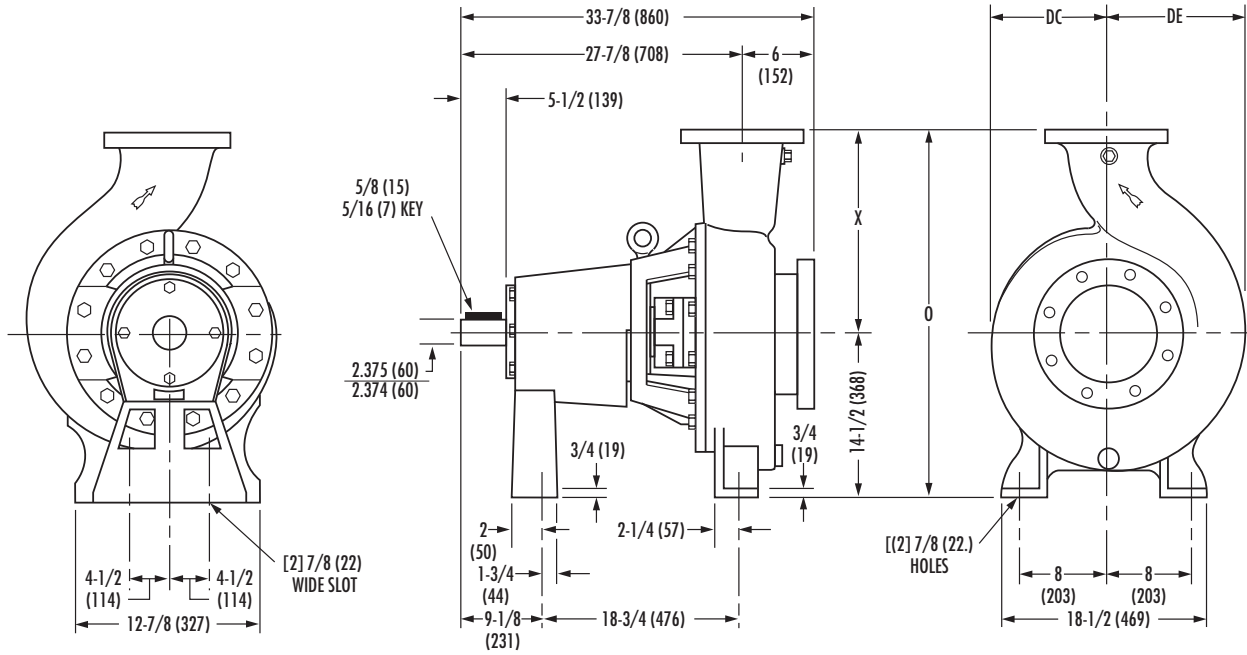
FRAME	D CASE BORE	
	11	12
2	7 (177)	7 (177)
3	7 (177)	7 (177)

FRAME	A <sub>1</sub>	A <sub>2</sub>	2520		1520		E <sub>1</sub>	E <sub>2</sub>	F	P	U	V	AD	WG	KEY
			B	B											
2	13-1/4 (337)	7 (178)	10-25/32 (274)	12 (305)	5-1/8 (130)	2-1/2 (64)	7-13/32 (188)	8-21/32 (220)	3/4 (19)	1-1/8 (29)	3-1/8 (79)	7-11/16 (195)	13-13/16 (351)	1/4 SQ x 1-3/4 LG	
3	13-1/4 (337)	7 (178)	10-25/32 (274)	12 (305)	5-1/8 (130)	2-1/2 (64)	7-13/32 (188)	8-21/32 (220)	3/4 (19)	1-1/8 (29)	3-1/8 (79)	7-11/16 (195)	13-13/16 (351)	1/4 SQ x 1-3/4 LG	

PUMPS WITH THREADED CONNECTIONS																
PUMP SIZE	DISCH.	SUCTION	CASE BORE	X	Y	Z	DC	DD	2520 DH		1520 DH		2520 L		1520 L	
									FRAME 1	FRAME 2 & 3	FRAME 1	FRAME 2 & 3	FRAME 1	FRAME 2 & 3	FRAME 1	FRAME 2 & 3
									1	2 & 3	1	2 & 3	1	2 & 3	1	2 & 3
1-1/2" 1523 - 1-1/2" 2523	1-1/2	2	11	9 (229)	2-13/16 (71)	6-1/8 (156)	7-1/16 (179)	7-1/4 (184)	N/A	8-9/16 (217)	N/A	11-7/16 (291)	N/A	7-1/4 (184)	N/A	8-7/8 (225)
1-1/2" 1524 - 1-1/2" 2524	1-1/2	2	12	7-3/4 (197)	2-3/4 (70)	7-1/16 (179)	8 (203)	8-1/4 (210)	N/A	8-5/8 (219)	N/A	11-1/2 (292)	N/A	7-3/8 (187)	N/A	9 (229)
PUMPS WITH ANSI 125 LB. FLANGED CONNECTIONS																
2" 1524 - 2" 2524	2	2-1/2	12	8 (203)	1-7/8 (48)	7-3/16 (183)	8-3/16 (208)	8-1/2 (216)	N/A	7-7/8 (200)	N/A	10-3/4 (273)	N/A	6-5/8 (168)	N/A	8-1/4 (210)
2" 1523 - 2" 2523	2	3	11	8 (203)	2-3/8 (60)	6-1/2 (165)	7 (178)	7-3/8 (187)	N/A	8-1/2 (216)	N/A	11-3/8 (289)	N/A	6-15/16 (176)	N/A	9-15/16 (252)
2-1/2" 1523 - 2-1/2" 2523	2-1/2	3	12	8-1/4 (210)	2 (51)	7-3/8 (187)	8-3/8 (213)	8-3/4 (222)	N/A	8-1/8 (206)	N/A	11 (279)	N/A	6-7/8 (175)	N/A	8-1/2 (216)
3" 1522 - 3" 2522	3	4	11	9 (229)	2-3/4 (70)	7 (178)	7-9/16 (192)	8-3/16 (208)	N/A	9-3/16 (233)	N/A	12-1/16 (306)	N/A	7-9/16 (192)	N/A	9-9/16 (243)
3" 1523 - 3" 2523	3	4	12	8-1/2 (216)	2-1/8 (54)	7-9/16 (192)	8-7/16 (214)	8-15/16 (227)	N/A	8-3/8 (213)	N/A	11-1/4 (286)	N/A	7-1/8 (181)	N/A	8-3/4 (222)
4" 1523 - 4" 2523	4	5	11	9 (229)	3 (76)	7-1/4 (184)	7-15/16 (202)	8-11/16 (221)	N/A	9-5/8 (244)	N/A	12-1/2 (318)	N/A	8 (203)	N/A	10 (254)
4" 1524 - 4" 2524	4	5	12	8-3/4 (222)	2-5/8 (67)	7-15/16 (202)	8-7/8 (225)	9-9/16 (243)	N/A	9-1/8 (232)	N/A	12 (305)	N/A	7-7/8 (200)	N/A	9-1/2 (241)
5" 1521 - 5" 2521	5	6	11	9 (229)	3-1/8 (79)	8-1/16 (205)	8-11/16 (221)	10-1/8 (257)	N/A	10-1/8 (257)	N/A	13 (330)	N/A	8-1/2 (216)	N/A	10-1/2 (267)
5" 1522 - 5" 2522	5	6	12	9 (229)	2-7/8 (73)	8-5/16 (211)	9-1/4 (235)	10-1/8 (257)	N/A	9-5/8 (244)	N/A	12-1/2 (318)	N/A	8-3/8 (213)	N/A	10 (254)
6" 1522 - 6" 2522	6	6	11	9-1/4 (235)	3-1/8 (79)	8-11/16 (221)	9-11/16 (246)	10-13/16 (275)	N/A	10-1/8 (257)	N/A	13 (330)	N/A	8-7/8 (225)	N/A	10-1/2 (267)
6" 1523 - 6" 2523	6	6	12	9-1/4 (235)	3-1/8 (79)	8-11/16 (221)	9-11/16 (246)	10-13/16 (275)	N/A	10-1/8 (257)	N/A	13 (330)	N/A	8-7/8 (225)	N/A	10-1/2 (267)

NOTES:

- All dimensions in inches and (mm).
- Dimensions may vary ± 1/4" (6).
- Not for construction purposes unless certified.
- N/A = Not Applicable.
- Check discharge position. Casing dimensions that exceed dimension "D" may require pads for the pump and/or motor.

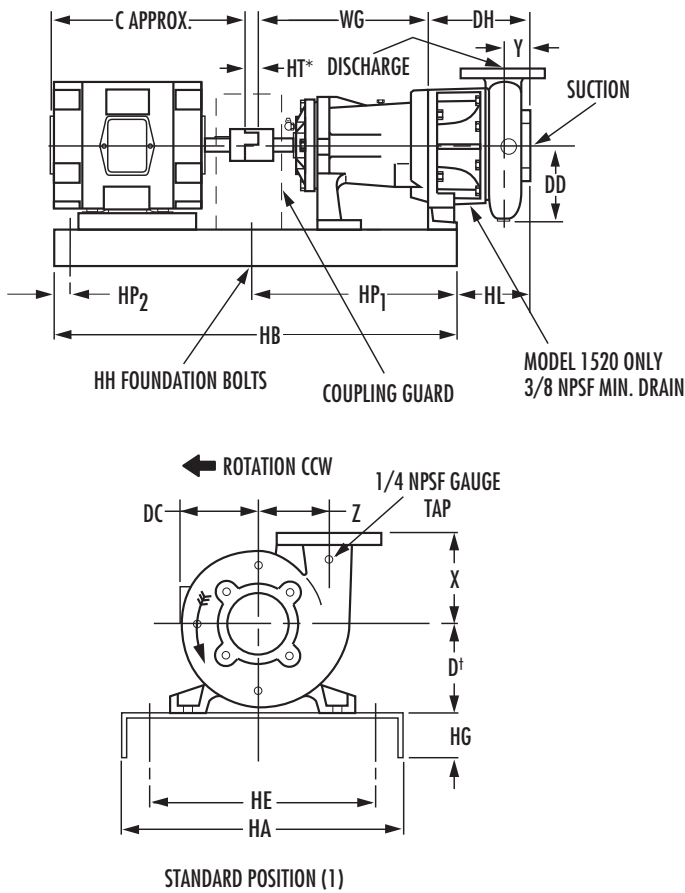


PUMP SIZE	FLANGE SIZE		0	X	DC	DE
	DISCHARGE	SUCTION				
6" 1524	6 (152)	8 (203)	32-1/2 (826)	18 (457)	10-7/16 (265)	12-7/8 (327)
8" 1524	8 (203)	10 (254)	33-1/2 (851)	19 (483)	11 (279)	14-3/8 (365)

NOTES:

1. All dimensions in inches and (mm).
2. Dimensions may vary ± 1/4" (6).
3. Not for construction purposes unless certified.
4. Standard flanges are 150 lb. per ANSI B16.5.

Steel Base



BASE	SIZE	HA	HB	HE	HG	HH		HP <sub>1</sub>	HP <sub>2</sub>
						QTY	SIZE		
1	12 x 30	12	30	9	3	2	5/8	15	—
2	17 x 34	17	34	15	3	4	5/8	1-1/4	1-1/4
3	18 x 38	18	38	16	4	4	5/8	1-1/4	1-1/4
4	18 x 42	18	42	16	4	4	5/8	1-1/4	1-1/4
5	18 x 44	18	44	15	4	4	5/8	1	1
6	18 x 48	18	48	15	4	4	5/8	1	1
7	22 x 60	22	60	19	4	4	5/8	1	1

D	MOTOR FRAME	C APPROX	D	BASE NUMBER				
				1	2	2520 3	1520 3	
2520 CASE BORE	7	5-1/4	6-1/4	—	—	—	—	
	9	6-1/4	7	7	7	7	7	
	11	—	7	7	7	7	7	
	12	—	7	7	7	7	7	
	1520 CASE BORE	7	5-1/4	6-1/4	—	—	—	—
		9	5-1/4	7	7	7	7	7
		11	—	7	7	7	7	7
		12	—	7	7	7	7	7
	56	12	—	1	N/A	N/A	N/A	N/A
	143T	12	—	1	N/A	N/A	N/A	N/A
	145T	13	—	1	3	N/A	N/A	N/A
	182T	13	—	1	3	N/A	N/A	N/A
184T	14	—	1	3	N/A	N/A	N/A	
213T	16	5-1/4	2	3	N/A	3	3	
215T	18	5-1/4	2	3	N/A	3	3	
254T	21	6-1/4	3	4	4	4	4	
256T	23	6-1/4	N/A	4	4	4	4	
284T	24	7	N/A	5	5	5	5	
284TS	22	7	N/A	5	5	5	5	
286T	25	7	N/A	5	5	5	5	
286TS	24	7	N/A	5	5	5	5	
324T	26	8	N/A	6	6	6	6	
324TS	25	8	N/A	6	6	6	6	
326T	28	8	N/A	6	6	6	6	
326TS	26	8	N/A	6	6	6	6	
364T	29	9	N/A	6	6	6	6	
364TS	27	9	N/A	6	6	6	6	
365TS	28	9	N/A	6	6	6	6	
404TS	30	10	N/A	7	7	7	7	

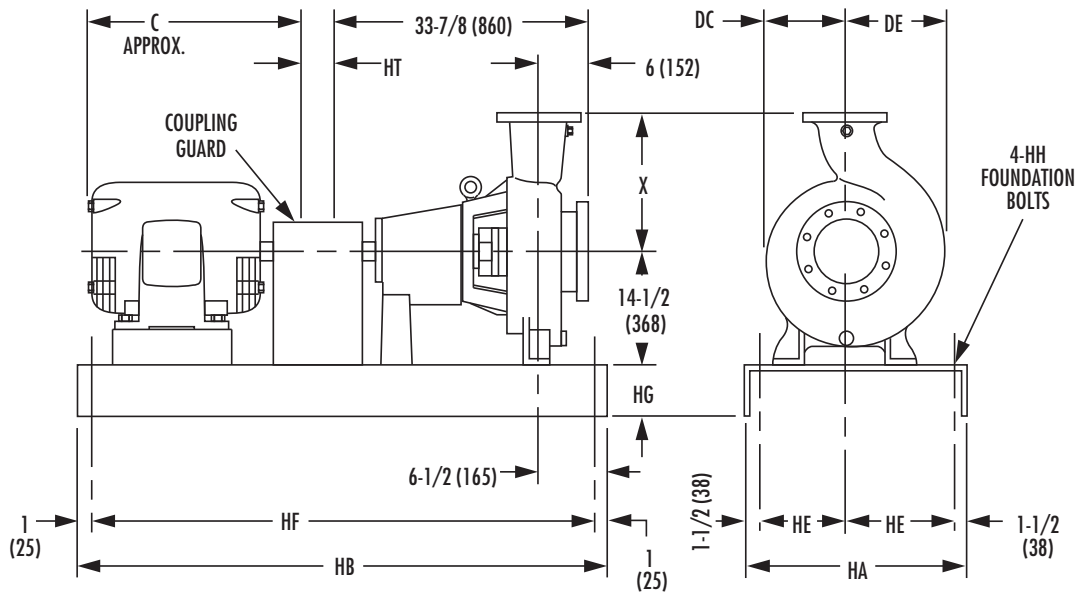
PUMPS WITH THREADED CONNECTIONS															
PUMP SIZE	X	Y	Z	DC	DD	2520 DH		1520 DH		2520 HL			1520 HL		
						FRAME 1	FRAME 2 & 3	FRAME 1	FRAME 2 & 3	FRAME 1	FRAME 2	FRAME 3	FRAME 1	FRAME 2	FRAME 3
1-1/4" 1521 - 1-1/4" 2521	5-1/4	2-7/16	4-3/16	4-15/16	5-3/16	7-3/16	N/A	10-1/4	N/A	4-11/16	N/A	N/A	6-1/2	N/A	N/A
1-1/4" 1522 - 1-1/4" 2522	6-5/8	2-9/16	5-3/8	6-3/16	6-3/8	7-1/4	N/A	10-5/16	N/A	4-3/4	N/A	N/A	6-9/16	N/A	N/A
1-1/2" 1521 - 1-1/2" 2521	5-3/8	2-1/2	4-5/16	5-1/8	5-3/8	7-5/16	N/A	10-3/8	N/A	4-13/16	N/A	N/A	6-5/8	N/A	N/A
1-1/2" 1522 - 1-1/2" 2522	6-3/4	2-5/8	5-1/2	6-5/16	6-9/16	7-3/8	8-3/8	10-7/16	11-1/4	4-7/8	6-3/8	N/A	6-11/16	8	N/A
1-1/2" 1523 - 1-1/2" 2523	9	2-13/16	6-1/8	7-1/16	7-1/4	N/A	8-9/16	N/A	11-7/16	N/A	6-1/2	N/A	N/A	8-1/8	N/A
1-1/2" 1524 - 1-1/2" 2524	7-3/4	2-3/4	7-1/16	8	8-1/4	N/A	8-5/8	N/A	11-1/2	N/A	6-5/8	N/A	N/A	8-1/4	8-1/4
PUMPS WITH ANSI 125 LB FLANGED CONNECTIONS															
2" 1521 - 2" 2521	5-5/8	1-7/8	4-9/16	5-3/8	5-13/16	6-13/16	7-13/16	9-7/8	10-11/16	4-5/16	5-13/16	N/A	6-1/8	7-7/16	N/A
2" 1522 - 2" 2522	7	1-7/8	5-11/16	6-1/2	6-7/8	6-3/4	7-3/4	9-13/16	10-5/8	4-1/4	N/A	5-3/4	6-1/16	N/A	7-3/8
2" 1524 - 2" 2524	8	1-7/8	7-3/16	8-3/16	8-1/2	N/A	7-7/8	N/A	10-3/4	N/A	5-7/8	N/A	N/A	7-1/2	N/A
2" 1523 - 2" 2523	8	2-3/8	6-1/2	7	7-3/8	N/A	8-1/2	N/A	11-3/8	N/A	6-3/16	N/A	N/A	7-13/16	N/A
2-1/2" 1521 - 2-1/2" 2521	5-7/8	2	4-13/16	5-13/16	6-1/4	7-1/16	8-1/16	10-1/8	10-15/16	4-9/16	6-1/16	N/A	6-3/8	7-11/16	N/A
2-1/2" 1522 - 2-1/2" 2522	7-1/4	2	5-15/16	6-3/4	7-1/4	7	8	N/A	10-7/8	4-1/2	N/A	6	N/A	7-5/8	7-5/8
2-1/2" 1523 - 2-1/2" 2523	8-1/4	2	7-3/8	8-3/8	8-3/4	N/A	8-1/8	N/A	11	N/A	6-1/8	N/A	N/A	7-3/4	7-3/4
3" 1521 - 3" 2521	7-1/2	2-1/8	6-1/8	6-7/8	7-7/16	7-1/4	8-1/4	N/A	11-1/8	4-3/4	6-1/4	6-1/4	N/A	7-7/8	7-7/8
3" 1522 - 3" 2522	9	2-3/4	7	7-9/16	8-3/16	N/A	9-3/16	N/A	12-1/16	N/A	6-13/16	N/A	N/A	8-7/16	N/A
3" 1523 - 3" 2523	8-1/2	2-1/8	7-9/16	8-7/16	8-15/16	N/A	8-3/8	N/A	11-1/4	N/A	6-3/8	6-3/8	N/A	8	8
4" 1521 - 4" 2521	6-1/2	2-1/2	5-1/2	6-7/16	7-5/16	7-15/16	8-15/16	11	11-13/16	5-7/16	6-15/16	N/A	7-1/4	8-9/16	N/A
4" 1522A - 4" 2522A	7-1/4	3-1/8	5-3/4	6-11/16	7-3/8	N/A	9-3/8	N/A	12-1/4	N/A	7-3/8	7-3/8	N/A	9	9
4" 1522B - 4" 2522B	7-3/4	2-5/8	6-5/8	8-1/16	8-11/16	N/A	9	N/A	11-7/8	N/A	7	N/A	N/A	8-5/8	N/A
4" 1523 - 4" 2523	9	3	7-1/4	7-15/16	8-11/16	N/A	9-5/8	N/A	12-1/2	N/A	7-1/4	N/A	N/A	8-7/8	N/A
4" 1524 - 4" 2524	8-3/4	2-5/8	7-15/16	8-7/8	9-9/16	N/A	9-1/8	N/A	12	N/A	7-1/8	7-1/8	N/A	8-3/4	8-3/4
5" 1521 - 5" 2521	9	3-1/8	8-1/16	8-11/16	10-1/8	N/A	10-1/8	N/A	13	N/A	7-3/4	7-3/4	N/A	9-3/8	9-3/8
5" 1522 - 5" 2522	9	2-7/8	8-5/16	9-1/4	10-1/8	N/A	9-5/8	N/A	12-1/2	N/A	7-5/8	7-5/8	N/A	9-1/4	9-1/4
6" 1521 - 6" 2521	8-1/4	2-3/4	7	8	9	N/A	9-1/4	N/A	12-1/8	N/A	7-1/4	N/A	N/A	8-7/8	N/A
6" 1522 - 6" 2522	9-1/4	3-1/8	8-11/16	9-11/16	10-13/16	N/A	10-1/8	N/A	13	N/A	8-1/8	8-1/8	N/A	9-3/4	9-3/4
6" 1523 - 6" 2523	9-1/4	3-1/8	8-11/16	9-11/16	10-13/16	N/A	10-1/8	N/A	13	N/A	N/A	8-1/8	N/A	N/A	9-3/4

NOTES:

- All dimensions in inches.
- Dimensions may vary ± 1/4".
- Not for construction purposes unless certified.
- N/A = Not Applicable.

- Check discharge position. Casing dimensions that exceed dimension "D" may require pads for the pump and/or motor.
- Conduit box is shown in approximate location. Dimensions are not specified as they vary with each motor manufacturer.
- Dim "HT" may vary 1/8" to 1".
- † D Dimension of 5" 2551, 5" 1551, 5" 2552, 5" 1552, 6" 2552, 6" 1552, 6" 2553 and 6" 1553 pumps with 213T through 326T motor is 8".

**Steel Base**



FRAME SIZE	C	HA	HB	HE	HF	HG	HH	HT	BASEPLATE DESIGNATION
286T	25 (635)	22 (559)	60 (1524)	9-1/2 (241)	58 (1473)	4 (102)	3/4 (19)	1-1/16 (27)	15 (381)
324T	26 (660)		1-1/16 (27)						
326T	28 (711)		16 (406)						
364T	29 (737)				1/4 (6)				
364TS	27 (686)				2 (51)				
365T	30 (762)								
365TS	28 (711)				2 (51)				
404T	33 (838)				2-1/16 (52)				
404TS	30 (762)				2 (51)				
405TS	34 (864)				2-1/16 (52)				
405TS	31 (787)								
444TS	34 (864)								
445TS	36 (914)		1-1/4 (32)						

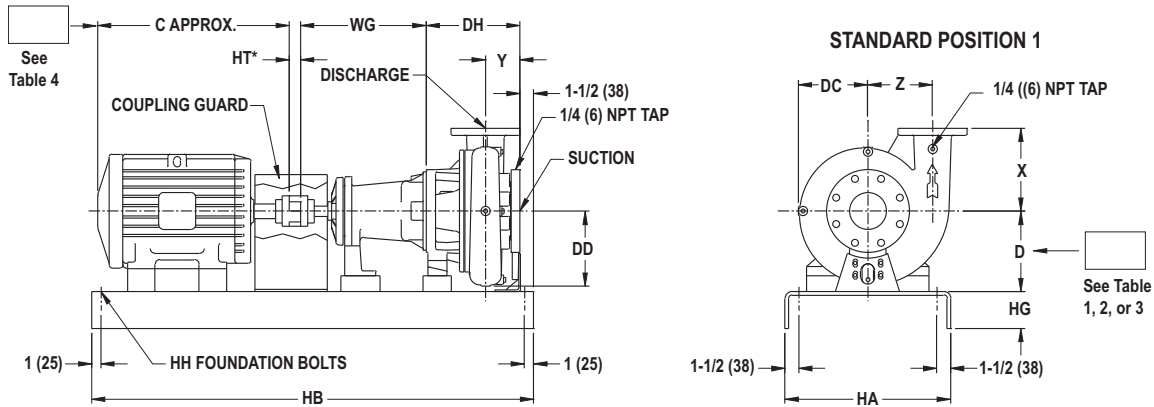
PUMP SIZE	FLANGE SIZE		DC	DE	X
	DISCHARGE	SUCTION			
6" 1524	6 (152)	8 (203)	10-7/16 (265)	12-7/8 (327)	18 (457)
8" 1524	8 (203)	10 (254)	11 (279)	14-3/8 (365)	19 (483)

**NOTES:**

1. Dimensions are approximate.
2. Dimensions are in inches (mm) and may vary ± 1/4" (6).
3. Not for construction purposes unless certified.

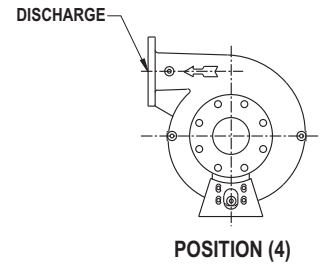
Standard flanges 150 lb. per ANSI B16.5

**Steel Base with Optional Casing Foot**



**MODEL 2520 ILLUSTRATED**

PUMPS WITH FLANGE SUCTION CONNECTIONS AND THREADED DISCHARGE CONNECTIONS										
PUMP SIZE	X	Y	Z	DC	DD	MODEL 1520		MODEL 2520		
						FRAME 1 DH	FRAMES 2 & 3 DH	FRAME 1 DH	FRAMES 2 & 3 DH	
1-1/4" 1521 - 1-1/4" 2521	5-1/4 (133)	3-3/8 (86)	4-3/16 (106)	4-15/16 (125)	5-3/16 (132)	11-3/16 (284)	N/A	8-1/8 (206)	N/A	
1-1/4" 1522 - 1-1/4" 2522	6-5/8 (168)	3-1/2 (89)	5-3/8 (137)	6-3/16 (157)	6-3/8 (162)	11-1/4 (286)	N/A	8-3/16 (208)	N/A	
1-1/2" 1521 - 1-1/2" 2521	5-3/8 (137)	3-7/16 (87)	4-5/16 (110)	5-1/8 (130)	5-3/8 (137)	11-15/16 (303)	N/A	8-1/4 (210)	N/A	
1-1/2" 1522 - 1-1/2" 2522	6-3/4 (171)	3-9/16 (90)	5-1/2 (140)	6-5/16 (160)	6-9/16 (167)	11-3/8 (289)	12-3/16 (310)	8-5/16 (211)	9-5/16 (237)	
1-1/2" 1524 - 1-1/2" 2524	7-3/4 (197)	3-11/16 (94)	7-1/16 (179)	8 (203)	8-1/4 (210)	N/A	12-7/16 (316)	N/A	9-5/16 (237)	
PUMPS WITH ANSI 125 LB. FLANGED CONNECTIONS										
2" 1521 - 2" 2521	5-5/8 (143)	2-13/16 (116)	4-9/16 (118)	5-3/8 (148)	5-13/16 (148)	10-13/16 (275)	11-5/8 (295)	7-3/4 (197)	8-3/4 (222)	
2" 1522 - 2" 2522	7 (178)	2-13/16 (71)	5-11/16 (144)	6-1/2 (165)	6-7/8 (175)	10-3/4 (273)	11-9/16 (294)	7-11/16 (195)	8-11/16 (221)	
2" 1524 - 2" 2524	8 (203)	2-13/16 (71)	7-3/16 (183)	8-3/16 (208)	8-1/2 (216)	N/A	11-11/16 (297)	N/A	8-13/16 (224)	
2" 1523 - 2" 2523	8 (203)	3-5/16 (84)	6-1/2 (165)	7 (178)	7-3/8 (187)	N/A	12-5/16 (313)	N/A	9-7/16 (240)	
2-1/2" 1521 - 2-1/2" 2521	5-7/8 (149)	2-15/16 (75)	4-13/16 (122)	5-13/16 (148)	6-1/4 (159)	11-1/16 (281)	11-7/8 (302)	8 (203)	9 (229)	
2-1/2" 1522 - 2-1/2" 2522	7-1/4 (184)	2-15/16 (75)	5-15/16 (151)	6-3/4 (171)	7-1/4 (184)	7-15/16 (202)	11-13/16 (300)	7-15/16 (202)	8-15/16 (227)	
2-1/2" 1523 - 2-1/2" 2523	8-1/4 (210)	2-15/16 (75)	7-3/8 (187)	8-3/8 (213)	8-3/4 (222)	N/A	11-15/16 (303)	N/A	9-1/16 (230)	
3" 1521 - 3" 2521	7-1/2 (191)	3-1/16 (78)	6-1/8 (156)	6-7/8 (175)	7-7/16 (189)	N/A	12-1/6 (309)	8-3/16 (208)	9-3/16 (233)	
3" 1522 - 3" 2522	9 (229)	3-11/16 (94)	7 (178)	7-9/16 (192)	8-3/16 (208)	N/A	13 (330)	N/A	10-1/8 (257)	
3" 1523 - 3" 2523	8-1/2 (216)	3-1/16 (78)	7-9/16 (192)	8-7/16 (214)	8-15/16 (227)	N/A	12-3/16 (310)	N/A	9-5/16 (237)	
4" 1521 - 4" 2521	6-1/2 (165)	3-7/16 (87)	5-1/2 (140)	6-7/16 (164)	7-5/16 (186)	11-15/16 (303)	12-3/4 (324)	8-7/8 (225)	9-7/8 (251)	
4" 1522A - 4" 2522A	7-1/4 (184)	4-1/16 (103)	5-3/4 (146)	6-11/16 (170)	7-3/8 (187)	N/A	13-3/16 (335)	N/A	10-5/16 (262)	
4" 1522B - 4" 2522B	7-3/4 (197)	3-9/16 (90)	6-5/8 (168)	8-1/16 (205)	8-11/16 (221)	N/A	12-13/16 (325)	N/A	9-15/16 (252)	
4" 1524 - 4" 2524	9 (229)	3-15/16 (100)	7-1/4 (184)	7-15/16 (202)	8-11/16 (221)	N/A	13-3/16 (335)	N/A	10-9/16 (268)	
4" 1525 - 4" 2525	8-3/4 (222)	3-9/16 (90)	7-15/16 (202)	8-7/8 (225)	9-9/16 (243)	N/A	12-13/16 (325)	N/A	10-1/16 (256)	
5" 1521 - 5" 2521	9 (229)	4-1/8 (105)	8-1/16 (221)	8-11/16 (221)	10-1/8 (257)	N/A	14 (356)	N/A	11-1/8 (283)	
5" 1522 - 5" 2522	9 (229)	3-7/8 (98)	8-5/16 (211)	9-1/4 (235)	10-1/8 (257)	N/A	13-1/2 (343)	N/A	10-5/8 (270)	
6" 1521 - 6" 2521	8-1/4 (210)	3-3/4 (95)	7 (178)	8 (203)	9 (229)	N/A	13-1/8 (333)	N/A	10-1/4 (260)	
6" 1522 - 6" 2522	9-1/4 (235)	4-1/8 (105)	8-11/16 (221)	9-1/16 (246)	10-13/16 (275)	N/A	14 (356)	N/A	11-1/8 (283)	
6" 1523 - 6" 2523	9-1/4 (235)	4-1/8 (105)	8-11/16 (221)	9-1/16 (246)	10-13/16 (275)	N/A	14 (356)	N/A	11-1/8 (283)	



BASE	HA	HB	HG	HH
1	12 (304)	34 (863)	3 (76)	1/2 (12)
2	12 (304)	38 (965)	3 (76)	1/2 (12)
3	13 (330)	42 (1066)	4 (102)	5/8 (15)
4	15 (381)	38 (965)	3-3/8 (857)	5/8 (15)
5	15 (381)	44 (1117)	3-3/8 (857)	5/8 (15)
6	15 (381)	52 (1320)	4-1/8 (104)	5/8 (15)
7	18 (457)	54 (1371)	4 (102)	5/8 (15)
8	22 (558)	54 (1371)	4 (102)	5/8 (15)
9	22 (558)	60 (1524)	4 (102)	5/8 (15)

- NOTES:**
- All dimensions in inches (mm).
  - Dimensions may vary ± 1/4" (6).
  - Not for construction purposes unless certified.
  - N/A = Not Applicable.
  - Conduit box is shown in approximate location. Dimensions are not specified as they vary with each motor manufacturer.
- \* Dimension "HT" may vary 1/8" (3) to 1" (25).

**Steel Base with Optional Casing Foot**

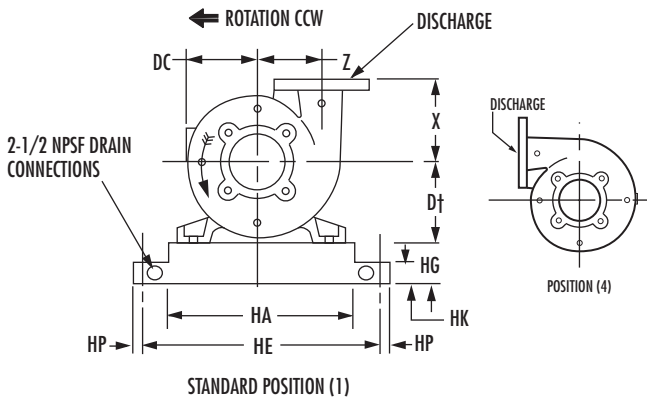
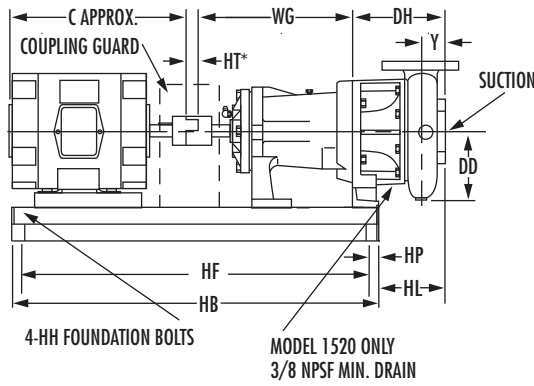
TABLE 4				TABLE 1										
MOTOR FRAME	C	MOTOR FRAME	C	POWER FRAME 1										
				PUMP SIZE	BASE	FRAME 56C D	BASE	FRAME 143T-145T D	BASE	FRAME 182T-184T D	BASE	FRAME 213T-215T D	BASE	FRAME 254T D
56C	12 (304)	284TS	22 (558)	1-1/4" 1521 - 1-1/4" 2521	1	6-3/4 (171)	1	6-3/4 (171)	1	6-3/4 (171)	2	6-3/4 (171)	3	6-3/4 (171)
143T	12 (304)	286T	25 (635)	1-1/4" 1522 - 1-1/4" 2522	1	6-3/4 (171)	1	6-3/4 (171)	1	6-3/4 (171)	2	6-3/4 (171)	3	6-3/4 (171)
145T	13 (330)	286TS	24 (609)	1-1/2" 1521 - 1-1/2" 2521	1	6-3/4 (171)	1	6-3/4 (171)	1	6-3/4 (171)	2	6-3/4 (171)	3	6-3/4 (171)
182T	13 (330)	324T	26 (660)	1-1/2" 1522 - 1-1/2" 2522	1	6-3/4 (171)	1	6-3/4 (171)	1	6-3/4 (171)	2	6-3/4 (171)	3	6-3/4 (171)
184T	14 (355)	324TS	25 (635)	2" 1521 - 2" 2521	1	7-1/2 (191)	1	7-1/2 (191)	1	7-1/2 (191)	2	7-1/2 (191)	3	7-1/2 (191)
213T	16 (406)	326T	28 (711)	2" 1522 - 2" 2522	1	7-1/2 (191)	1	7-1/2 (191)	1	7-1/2 (191)	2	7-1/2 (191)	3	7-1/2 (191)
215T	18 (457)	326TS	26 (660)	2-1/2" 1521 - 2-1/2" 2521	1	7-1/2 (191)	1	7-1/2 (191)	1	7-1/2 (191)	2	7-1/2 (191)	3	7-1/2 (191)
254T	21 (533)	364TS	27 (685)	2-1/2" 1522 - 2-1/2" 2522	1	7-1/2 (191)	1	7-1/2 (191)	1	7-1/2 (191)	2	7-1/2 (191)	3	7-1/2 (191)
256T	23 (584)	365TS	28 (711)	3" 1521 - 3" 2521	1	8-1/4 (210)	1	8-1/4 (210)	1	8-1/4 (210)	2	8-1/4 (210)	3	8-1/4 (210)
284T	24 (609)	404TS	30 (762)	4" 1521 - 4" 2521	1	8-1/4 (210)	1	8-1/4 (210)	2	8-1/4 (210)	2	8-1/4 (210)	3	8-1/4 (210)

TABLE 2															POWER FRAME 2	
PUMP SIZE	BASE	FRAME 143T-145T D	BASE	FRAME 182T-184T D	BASE	FRAME 213T-215T D	BASE	FRAME 254T-256T D	BASE	FRAME 284T/TS-286T/TS D	BASE	FRAME 324T/TS-326T/TS D	BASE	FRAME 364TS-365TS D	BASE	FRAME 404TS D
1-1/2" 1522 - 1-1/2" 2522	4	7 (178)	4	7 (178)	5	7 (178)	6	7 (178)	6	7 (178)	7	8-5/8 (219)	8	9 (229)		
1-1/2" 1524 - 1-1/2" 2524	4	8-5/8 (219)	4	8-5/8 (219)	5	8-5/8 (219)	6	8-5/8 (219)	6	8-5/8 (219)	7	8-5/8 (219)	8	9 (229)	-	N/A
2" 1521 - 2" 2521	4	7-1/2 (191)	4	7-1/2 (191)	5	7-1/2 (191)	6	7-1/2 (191)	6	7-1/2 (191)	-	N/A	-	N/A	-	N/A
2" 1524 - 2" 2524	4	9-1/4 (235)	4	9-1/4 (235)	5	9-1/4 (235)	6	9-1/4 (235)	6	9-1/4 (235)	7	9-1/4 (235)	8	9-1/4 (235)	-	N/A
2" 1523 - 2" 2523	4	7-3/4 (197)	4	7-3/4 (197)	5	7-3/4 (197)	6	7-3/4 (197)	6	7-3/4 (197)	7	9-1/8 (232)	-	N/A	-	N/A
2-1/2" 1521 - 2-1/2" 2521	4	7-1/2 (191)	4	7-1/2 (191)	5	7-1/2 (191)	6	7-1/2 (191)	6	7-1/2 (191)	-	N/A	-	N/A	-	N/A
2-1/2" 1523 - 2-1/2" 2523	4	9-1/2 (241)	4	9-1/2 (241)	5	9-1/2 (241)	6	9-1/2 (241)	6	9-1/2 (241)	7	9-1/2 (241)	8	9-1/2 (241)	-	N/A
3" 1521 - 3" 2521	4	8-1/4 (210)	4	8-1/4 (210)	5	8-1/4 (210)	6	8-1/4 (210)	6	8-1/4 (210)	7	8-1/4 (210)	8	10 (254)	-	N/A
3" 1522 - 3" 2522	4	8-5/8 (219)	4	8-5/8 (219)	5	8-5/8 (219)	6	8-5/8 (219)	6	8-5/8 (219)	7	8-5/8 (219)	-	N/A	-	N/A
3" 1523 - 3" 2523	4	10 (254)	4	10 (254)	5	10 (254)	6	10 (254)	6	10 (254)	7	10 (254)	8	10 (254)	-	N/A
4" 1521 - 4" 2521	4	8-1/4 (102)	4	8-1/4 (127)	5	8-1/4 (152)	6	8-1/4 (152)	6	8-1/4 (152)	-	N/A	-	N/A	-	N/A
4" 1522A - 4" 2522A	4	8-7/8 (225)	4	8-7/8 (225)	5	8-7/8 (225)	6	8-7/8 (225)	6	8-7/8 (225)	7	8-7/8 (225)	8	9 (229)	-	N/A
4" 1522B - 4" 2522B	4	9 (229)	5	9 (229)	5	9 (229)	6	9 (229)	6	9 (229)	7	9 (229)	8	9 (229)	-	N/A
4" 1523 - 4" 2523	4	9 (229)	5	9 (229)	5	9 (229)	6	9 (229)	6	9 (229)	7	9 (229)	-	N/A	-	N/A
4" 1524 - 4" 2524	4	10-3/4 (273)	5	10-3/4 (273)	5	10-3/4 (273)	6	10-3/4 (273)	6	10-3/4 (273)	7	10-3/4 (273)	8	10-3/4 (273)	-	N/A
5" 1521 - 5" 2521	-	N/A	-	N/A	5	11-1/4 (286)	6	11-1/4 (286)	6	11-1/4 (286)	7	11-1/4 (286)	-	N/A	-	N/A
5" 1522 - 5" 2522	-	N/A	-	N/A	-	N/A	6	11-1/4 (286)	6	11-1/4 (286)	7	11-1/4 (286)	8	11-1/4 (286)	-	N/A
6" 1521 - 6" 2521	-	N/A	-	N/A	5	9-1/2 (241)	6	9-1/2 (241)	6	9-1/2 (241)	7	9-1/2 (241)	-	N/A	-	N/A
6" 1522 - 6" 2522	-	N/A	-	N/A	5	11-1/2 (292)	6	11-1/2 (292)	6	11-1/2 (292)	7	11-1/2 (292)	-	N/A	-	N/A

TABLE 3															POWER FRAME 3	
PUMP SIZE	BASE	FRAME 143T-145T D	BASE	FRAME 182T-184T D	BASE	FRAME 213T-215T D	BASE	FRAME 254T-256T D	BASE	FRAME 284T/TS-286T/TS D	BASE	FRAME 324T/TS-326T/TS D	BASE	FRAME 364TS-365TS D	BASE	FRAME 404TS D
2" 1522 - 2" 2522	4	7-1/2 (191)	4	7-1/2 (191)	5	7-1/2 (191)	6	7-1/2 (191)	6	7-1/2 (191)	7	9 (229)	8	9 (229)		
2-1/2" 1522 - 2-1/2" 2522	4	7-1/2 (191)	4	7-1/2 (191)	5	7-1/2 (191)	6	7-1/2 (191)	6	7-1/2 (191)	7	9-1/4 (235)	8	9-1/4 (235)	-	N/A
3" 1521 - 3" 2521	4	8-1/4 (210)	4	8-1/4 (210)	5	8-1/4 (210)	6	8-1/4 (210)	6	8-1/4 (210)	7	8-1/4 (210)	8	10 (254)	-	N/A
3" 1523 - 3" 2523	4	10 (254)	4	10 (254)	5	10 (254)	6	10 (254)	6	10 (254)	7	10 (254)	8	10 (254)	-	N/A
4" 1522A - 4" 2522A	4	8-7/8 (225)	4	8-7/8 (225)	5	8-7/8 (225)	6	8-7/8 (225)	6	8-7/8 (225)	7	8-7/8 (225)	8	9 (229)	-	N/A
4" 1524 - 4" 2524	4	10-3/4 (273)	5	10-3/4 (273)	5	10-3/4 (273)	6	10-3/4 (273)	6	10-3/4 (273)	7	10-3/4 (273)	8	10-3/4 (273)	-	N/A
5" 1521 - 5" 2521	-	N/A	-	N/A	5	11-1/4 (286)	6	11-1/4 (286)	6	11-1/4 (286)	7	11-1/4 (286)	-	N/A	-	N/A
5" 1522 - 5" 2522	-	N/A	-	N/A	-	N/A	6	11-1/4 (286)	6	11-1/4 (286)	7	11-1/4 (286)	8	11-1/4 (286)	-	N/A
6" 1522 - 6" 2522	-	N/A	-	N/A	5	11-1/2 (292)	6	11-1/2 (292)	6	11-1/2 (292)	7	11-1/2 (292)	-	N/A	-	N/A
6" 1523 - 6" 2523	-	N/A	-	N/A	-	N/A	6	11-3/8 (289)	6	11-3/8 (289)	7	11-3/8 (289)	8	11-3/8 (289)	9 (229)	11-3/8 (289)



**Drip Rim Base**



**MODEL 2520 ILLUSTRATED**

BASE	SIZE	HA	HB	HE	HG	HH	HP	HK	HF
4	11 x 30	11	30-1/2	15-7/8	3	1/2	11/16	1-1/2	29-1/8
5	11 x 36	11	36-1/2	15-7/8	3	1/2	11/16	1-1/2	35-1/8
7	14 x 36	14	36-1/2	19	3	5/8	3/4	1-1/2	35
8	14 x 42	14	42-1/2	19	3	5/8	3/4	1-1/2	41
9	14 x 48	14	48-1/2	19	3	5/8	3/4	1-1/2	47
11	18 x 46	18	46-1/2	25-1/8	4	3/4	13/16	2	44-7/8
12	18 x 54	18	54-1/2	25-1/8	4	3/4	13/16	2	52-7/8
15	22 x 54	22	54-1/2	29-1/8	4-1/2	3/4	13/16	2	52-7/8

NOTE: WHEN TWO "D" DIMENSIONS ARE INDICATED ALWAYS USE THE LARGER FIGURE.	POWER FRAME	MODEL 2520			MODEL 1520		
		1	2	3	1	2	3
	WG	10-5/16	13-13/16	13-13/16	10-5/16	13-13/16	13-13/16
D	340 CASE BORE	7	5-1/4	6-1/4	-		
		9	6-1/4	7	7		
		11	-	7	7		
	360 CASE BORE	7	-	-	5-1/4	6-1/4	-
		9	-	-	5-1/4	7	7
		11	-	-	-	7	7

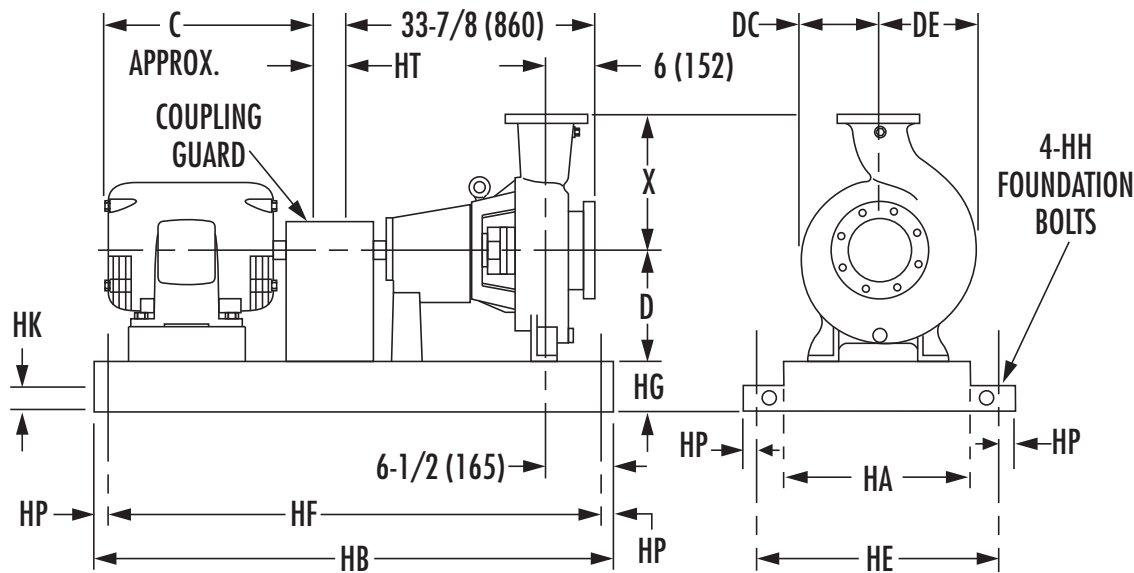
MOTOR FRAME	C APPROX.	D	BASE NUMBER					
56	12		4	N/A	N/A	4	N/A	N/A
143T	12		4	N/A	N/A	4	N/A	N/A
145T	13		4	7	N/A	4	7	N/A
182T	13		4	7	N/A	4	7	N/A
184T	14		4	7	N/A	4	7	N/A
213T	16	5-1/4	4	7	N/A	5	7	7
215T	18	5-1/4	5	7	N/A	5	7	7
254T	21	6-1/4	7	8	8	N/A	8	8
256T	23	6-1/4	N/A	8	8	N/A	8	8
284T	24	7	N/A	8	8	N/A	8	8
284TS	22	7	N/A	8	8	N/A	8	8
286T	25	7	N/A	8	8	N/A	9	9
286TS	24	7	N/A	8	8	N/A	8	8
324T	26	8	N/A	11	11	N/A	11	11
324TS	25	8	N/A	11	11	N/A	11	11
326T	28	8	N/A	11	11	N/A	11	11
326TS	26	8	N/A	11	11	N/A	11	11
364T	29	9	N/A	11	11	N/A	12	12
364TS	27	9	N/A	11	11	N/A	11	11
365TS	28	9	N/A	11	11	N/A	11	11
404TS	30	10	N/A	15	15	N/A	15	15

PUMP SIZE	PUMPS WITH THREADED CONNECTIONS														
	X	Y	Z	DC	DD	2520 DH		1520 DH		2520 HL			1520 HL		
						FRAME 1	FRAME 2 & 3	FRAME 1	FRAME 2 & 3	FRAME 1	FRAME 2	FRAME 3	FRAME 1	FRAME 2	FRAME 3
1-1/4" 1521 - 1-1/4" 2521	5-1/4	2-7/16	4-3/16	4-15/16	5-3/16	7-3/16	N/A	10-1/4	N/A	4-3/16	N/A	N/A	4-3/4	N/A	N/A
1-1/4" 1522 - 1-1/4" 2522	6-5/8	2-9/16	5-3/8	6-3/16	6-3/8	7-1/4	N/A	10-5/16	N/A	4-1/4	N/A	N/A	4-13/16	N/A	N/A
1-1/2" 1521 - 1-1/2" 2521	5-3/8	2-1/2	4-5/16	5-1/8	5-3/8	7-5/16	N/A	10-3/8	N/A	4-5/16	N/A	N/A	4-7/8	N/A	N/A
1-1/2" 1522 - 1-1/2" 2522	6-3/4	2-5/8	5-1/2	6-5/16	6-9/16	7-3/8	8-3/8	10-7/16	11-1/4	4-3/8	4-7/8	N/A	4-15/16	5	N/A
1-1/2" 1523 - 1-1/2" 2523	9	2-13/16	6-1/8	7-1/16	7-1/4	N/A	8-9/16	N/A	11-7/16	N/A	5-3/8	N/A	N/A	7	N/A
1-1/2" 1524 - 1-1/2" 2524	7-3/4	2-3/4	7-1/16	8	8-1/4	N/A	8-5/8	N/A	11-1/2	N/A	5-5/8	N/A	N/A	5-1/4	5-1/4
PUMP SIZE	PUMPS WITH ANSI 125 LB. FLANGED CONNECTIONS														
	X	Y	Z	DC	DD	FRAME 1	FRAME 2 & 3	FRAME 1	FRAME 2 & 3	FRAME 1	FRAME 2	FRAME 3	FRAME 1	FRAME 2	FRAME 3
	2" 1521 - 2" 2521	5-5/8	1-7/8	4-9/16	5-3/8	5-13/16	6-13/16	7-13/16	9-7/8	10-11/16	3-13/16	4-5/16	N/A	4-3/8	4-7/16
2" 1522 - 2" 2522	7	1-7/8	5-11/16	6-1/2	6-7/8	6-3/4	7-3/4	9-13/16	10-5/8	3-3/4	N/A	3-7/8	4-5/16	N/A	4-3/8
2" 1524 - 2" 2524	8	1-7/8	7-3/16	8-3/16	8-1/2	N/A	7-7/8	N/A	10-3/4	N/A	4-7/8	N/A	N/A	4-1/2	N/A
2" 1523 - 2" 2523	8	2-3/8	6-1/2	7	7-3/8	N/A	8-1/2	N/A	11-3/8	N/A	5-1/32	N/A	N/A	5-5/32	N/A
2-1/2" 1521 - 2-1/2" 2521	5-7/8	2	4-13/16	5-13/16	6-1/4	7-1/16	8-1/16	10-1/8	10-15/16	4-1/16	4-9/16	N/A	4-5/8	4-11/16	N/A
2-1/2" 1522 - 2-1/2" 2522	7-1/4	2	5-15/16	6-3/4	7-1/4	7	8	N/A	10-7/8	4	N/A	4-1/2	N/A	4-5/8	4-5/8
2-1/2" 1523 - 2-1/2" 2523	8-1/4	2	7-3/8	8-3/8	8-3/4	N/A	8-1/8	N/A	11	N/A	5-1/8	N/A	N/A	4-3/4	4-3/4
3" 1521 - 3" 2521	7-1/2	2-1/8	6-1/8	6-7/8	7-7/16	7-1/4	8-1/4	N/A	11-1/8	4-1/4	N/A	4-3/4	N/A	N/A	4-7/8
3" 1522 - 3" 2522	9	2-3/4	7	7-9/16	8-3/16	N/A	9-3/16	N/A	12-1/16	N/A	5-11/16	N/A	N/A	5-13/16	N/A
3" 1523 - 3" 2523	8-1/2	2-1/8	7-9/16	8-7/16	8-15/16	N/A	8-3/8	N/A	11-1/4	N/A	5-3/8	5-3/8	N/A	5	5
4" 1521 - 4" 2521	6-1/2	2-1/2	5-1/2	6-7/16	7-5/16	7-15/16	8-15/16	11	11-13/16	4-15/16	5-7/16	N/A	5-1/2	5-9/16	N/A
4" 1522A - 4" 2522A	7-1/4	3-1/8	5-3/4	6-11/16	7-3/8	N/A	9-3/8	N/A	12-1/4	N/A	5-7/8	5-7/8	N/A	6	6
4" 1522B - 4" 2522B	7-3/4	2-5/8	6-5/8	8-1/16	8-11/16	N/A	9	N/A	11-7/8	N/A	5-1/2	N/A	N/A	5-5/8	N/A
4" 1523 - 4" 2523	9	3	7-1/4	7-15/16	8-11/16	N/A	9-5/8	N/A	12-1/2	N/A	6-1/8	N/A	N/A	6-1/4	N/A
4" 1524 - 4" 2524	8-3/4	2-5/8	7-15/16	8-7/8	9-9/16	N/A	9-1/8	N/A	12	N/A	6-1/8	6-1/8	N/A	5-3/4	5-3/4
5" 1521 - 5" 2521	9	3-1/8	8-1/16	8-11/16	10-1/8	N/A	10-1/8	N/A	13	N/A	6-5/8	6-5/8	N/A	6-3/4	6-3/4
5" 1522 - 5" 2522	9	2-7/8	8-5/16	9-1/4	10-1/8	N/A	9-5/8	N/A	12-1/2	N/A	6-5/8	6-5/8	N/A	6-1/4	6-1/4
6" 1521 - 6" 2521	8-1/4	2-3/4	7	8	9	N/A	9-1/4	N/A	12-1/8	N/A	5-3/4	N/A	N/A	5-7/8	N/A
6" 1522 - 6" 2522	9-1/4	3-1/8	8-11/16	9-11/16	10-13/16	N/A	10-1/8	N/A	13	N/A	7-1/8	7-1/8	N/A	6-3/4	6-3/4
6" 1523 - 6" 2523	9-1/4	3-1/8	8-11/16	9-11/16	10-13/16	N/A	10-1/8	N/A	13	N/A	7-1/8	7-1/8	N/A	N/A	6-3/4

NOTES:

- All dimensions in inches (mm).
- Dimensions may vary  $\pm 1/4"$ .
- Not for construction purposes unless certified.
- N/A = Not Applicable.
- Check discharge position. Casing dimensions that exceed dimension "D" may require pads for the pump and/or motor.
- Conduit box is shown in approximate location. Dimensions are not specified as they vary with each motor manufacturer.
- \* Dim "HT" may vary 1/8 to 1.
- † D Dimension of 5" 2521, 5" 1521, 5" 2522, 5" 1522, 6" 2522, 6" 1522, 6" 2523, 6" 1523 pumps with 213T through 286T motor is 9.

**Steel Drip Rim Base**



CASE BORE	15 (381)
"D" PUMP	14-1/2 (368)

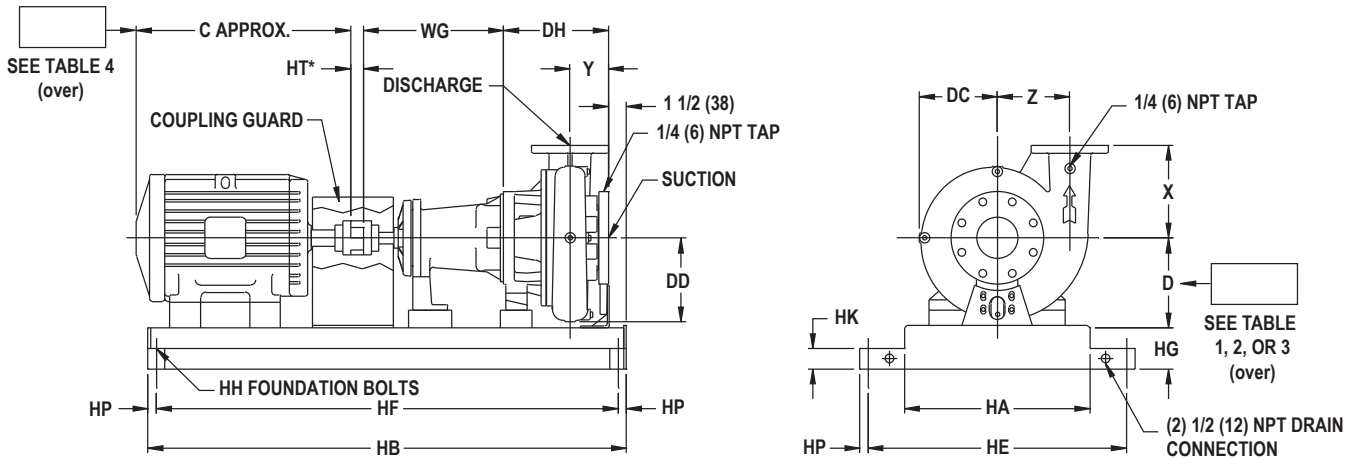
FRAME SIZE	C	"D" MOTOR	HA	HB	HE	HF	HG	HH	HP	HK	HT	BASEPLATE DESIGNATION											
286T	25 (635)	7 (178)	22 (559)	64-1/2 (1638)	29-1/8 (740)	62-7/8 (1597)	4-1/2 (114)	3/4 (19)	13/16 (21)	2 (51)	1-1/16 (27)	16 (406)											
324T	26 (660)	8 (203)																					
326T	28 (711)																						
364T	29 (737)	9 (229)																		1/4 (6)			
364TS	27 (686)																			2 (51)			
365T	30 (762)																						
365TS	28 (711)																						
404T	33 (838)	10 (254)											74-1/2 (1892)	72-7/8 (1851)						2-1/16 (52)	17 (432)		
404TS	30 (762)																						2 (51)
405TS	34 (864)																						
405TS	31 (787)										2-1/16 (52)												
444TS	34 (864)		11 (279)																				
445TS	36 (914)										1-1/4 (32)												

PUMP SIZE	FLANGE SIZE		DC	DE	X
	DISCHARGE	SUCTION			
6" 1524	6 (152)	8 (203)	10-7/16 (265)	12-7/8 (327)	18 (457)
8" 1524	8 (203)	10 (254)	11 (279)	14-3/8 (365)	19 (483)

- NOTES:
1. Dimensions are approximate.
  2. Dimensions are in inches (mm) and may vary ± 1/4" (6).
  3. Not for construction purposes unless certified.
  4. Three grout holes are provided in top of base.
  5. Dimension "D" is determined by larger "D" dimension of pump and motor combination.

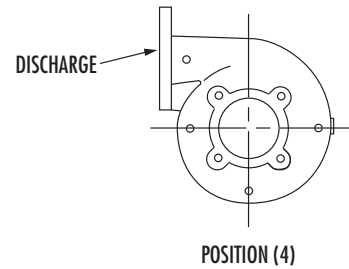
Standard flanges 150 lb. per ANSI B16.5

**Steel Drip Rim Base with Optional Casing Foot**



**MODEL 2520 ILLUSTRATED**

PUMPS WITH FLANGED SUCTION CONNECTIONS AND THREADED DISCHARGE CONNECTIONS									
PUMP SIZE	X	Y	Z	DC	DD	MODEL 1520		MODEL 2520	
						FRAME 1 DH	FRAMES 2 & 3 DH	FRAME 1 DH	FRAMES 2 & 3 DH
1-1/4" 1521 - 1-1/4" 2521	5-1/4 (133)	3-3/8 (86)	4-3/16 (106)	4-15/16 (125)	5-3/16 (132)	11-3/16 (284)	N/A	8-1/8 (206)	N/A
1-1/4" 1522 - 1-1/4" 2522	6-5/8 (168)	3-1/2 (89)	5-3/8 (137)	6-3/16 (157)	6-3/8 (162)	11-1/4 (286)	N/A	8-3/16 (208)	N/A
1-1/2" 1521 - 1-1/2" 2521	5-3/8 (137)	3-7/16 (87)	4-5/16 (110)	5-1/8 (130)	5-3/8 (137)	11-15/16 (303)	N/A	8-1/4 (210)	N/A
1-1/2" 1522 - 1-1/2" 2522	6-3/4 (171)	3-9/16 (90)	5-1/2 (140)	6-5/16 (160)	6-9/16 (167)	11-3/8 (290)	12-3/16 (310)	8-5/16 (211)	9-5/16 (237)
1-1/2" 1524 - 1-1/2" 2524	7-3/4 (197)	3-11/16 (94)	7-1/16 (179)	8 (203)	8-1/4 (205)	N/A	12-7/16 (316)	N/A	9-5/16 (237)
PUMPS WITH ANSI 125 LB. FLANGED CONNECTIONS									
2" 1521 - 2" 2521	5-5/8 (143)	2-13/16 (71)	4-9/16 (116)	5-3/8 (137)	5-13/16 (148)	10-13/16 (275)	11-5/8 (295)	7-3/4 (197)	8-3/4 (222)
2" 1522 - 2" 2522	7 (178)	2-13/16 (71)	5-11/16 (144)	6-1/2 (165)	6-7/8 (175)	10-3/4 (273)	11-9/16 (294)	7-11/16 (195)	8-11/16 (221)
2" 1524 - 2" 2524	8 (203)	2-13/16 (71)	7-3/16 (183)	8-3/16 (208)	8-1/2 (216)	N/A	11-11/16 (297)	N/A	8-13/16 (224)
2" 1523 - 2" 2523	8 (203)	3-5/16 (84)	6-1/2 (165)	7 (178)	7-3/8 (187)	N/A	12-5/16 (313)	N/A	9-7/16 (240)
2-1/2" 1521 - 2-1/2" 2521	5-7/8 (149)	2-15/16 (75)	4-13/16 (122)	5-13/16 (148)	6-1/4 (159)	11-1/16 (281)	11-7/8 (302)	8 (203)	9 (229)
2-1/2" 1522 - 2-1/2" 2522	7-1/4 (184)	2-15/16 (75)	5-15/16 (151)	6-3/4 (171)	7-1/4 (184)	7-15/16 (202)	11-13/16 (300)	7-15/16 (202)	8-15/16 (227)
2-1/2" 1523 - 2-1/2" 2523	8-1/4 (210)	2-15/16 (75)	7-3/8 (187)	8-3/8 (213)	8-3/4 (222)	N/A	11-15/16 (303)	N/A	9-1/16 (230)
3" 1521 - 3" 2521	7-1/2 (191)	3-1/16 (78)	6-1/8 (156)	6-7/8 (175)	7-7/16 (189)	N/A	12-1/6 (309)	8-3/16 (208)	9-3/16 (233)
3" 1522 - 3" 2522	9 (229)	3-11/16 (94)	7 (178)	7-9/16 (192)	8-3/16 (208)	N/A	13 (330)	N/A	10-1/8 (257)
3" 1523 - 3" 2523	8-1/2 (216)	3-1/16 (78)	7-9/16 (192)	8-7/16 (214)	8-15/16 (227)	N/A	12-3/16 (310)	N/A	9-5/16 (237)
4" 1521 - 4" 2521	6-1/2 (165)	3-7/16 (87)	5-1/2 (140)	6-7/16 (164)	7-5/16 (186)	11-15/16 (303)	12-3/4 (324)	8-7/8 (225)	9-7/8 (251)
4" 1522A - 4" 2522A	7-1/4 (184)	4-1/16 (103)	5-3/4 (146)	6-11/16 (170)	7-3/8 (187)	N/A	13-3/16 (335)	N/A	10-5/16 (262)
4" 1522B - 4" 2522B	7-3/4 (197)	3-9/16 (90)	6-5/8 (168)	8-1/16 (205)	8-11/16 (221)	N/A	12-13/16 (325)	N/A	9-15/16 (252)
4" 1523 - 4" 2523	9 (229)	3-15/16 (100)	7-1/4 (184)	7-15/16 (202)	8-11/16 (221)	N/A	13-3/16 (335)	N/A	10-9/16 (268)
4" 1524 - 4" 2524	8-3/4 (222)	3-9/16 (90)	7-15/16 (202)	8-7/8 (225)	9-9/16 (243)	N/A	12-13/16 (325)	N/A	10-1/16 (256)
5" 1521 - 5" 2521	9 (229)	4-1/8 (105)	8-1/16 (205)	8-11/16 (221)	10-1/8 (257)	N/A	14 (356)	N/A	11-1/8 (283)
5" 1522 - 5" 2522	9 (229)	3-7/8 (98)	8-5/16 (211)	9-1/4 (235)	10-1/8 (257)	N/A	13-1/2 (343)	N/A	10-5/8 (270)
6" 1521 - 6" 2521	8-1/4 (210)	3-3/4 (95)	7 (178)	8 (203)	9 (229)	N/A	13-1/8 (333)	N/A	10-1/4 (260)
6" 1522 - 6" 2522	9-1/4 (235)	4-1/8 (105)	8-11/16 (221)	9-11/16 (246)	10-13/16 (275)	N/A	14 (356)	N/A	11-1/8 (283)
6" 1523 - 6" 2523	9-1/4 (235)	4-1/8 (105)	8-11/16 (221)	9-11/16 (246)	10-13/16 (275)	N/A	14 (356)	N/A	11-1/8 (283)



BASE	SIZE	HA	HB	HE	HG	HH	HP	HK	HF
7	14x36 (355)	14 (355)	36-1/2 (927)	19 (482)	3 (76)	5/8 (15)	3/4 (19)	1-1/2 (38)	35 (889)
8	14x42 (355)	14 (355)	42-1/2 (1079)	19 (482)	3 (76)	5/8 (15)	3/4 (19)	1-1/2 (38)	41 (1041)
11	18x46	18 (457)	46-1/2 (1181)	25-1/8 (638)	4 (102)	3/4 (19)	13/16 (20)	2 (50)	44-7/8 (1139)
12	18x54	18 (457)	54-1/2 (1384)	25-1/8 (638)	4 (102)	3/4 (19)	13/16 (20)	2 (50)	52-7/8 (1343)
15	22x54 (558)	22 (558)	54-1/2 (1384)	29-1/8 (739)	4-1/2 (114)	3/4 (19)	13/16 (20)	2 (50)	52-7/8 (1343)
16	22x64 (558)	22 (558)	64-1/2 (1638)	29-1/8 (739)	4-1/2 (114)	3/4 (19)	13/16 (20)	2 (50)	62-7/8 (1597)

- NOTES:
- All dimensions in inches (mm).
  - Dimensions may vary  $\pm 1/4"$  (6).
  - Not for construction purposes unless certified.
  - N/A = Not Applicable.
  - Conduit box is shown in approximate location. Dimensions are not specified as they vary with each motor manufacturer.
- \* Dimension "HT" may vary 1/8" (3) to 1" (25).

**Optional Casing Foot  
Power Frame Tables**

MOTOR FRAME	C	MOTOR FRAME	C
56C	12	284TS	22
143T	12	286T	25
145T	13	286TS	24
182T	13	324T	26
184T	14	324TS	25
213T	16	326T	28
215T	18	326TS	26
254T	21	364TS	27
256T	23	365TS	28
284T	24	404TS	30

PUMP SIZE	BASE	FRAMES 56C D	BASE	FRAMES 143T-145T D	BASE	FRAMES 182T-184T D	BASE	FRAMES 213T-215T D	BASE	FRAMES 254T D
1-1/4" 1521 - 1-1/4" 2521	7	6-3/4 (171)	7	6-3/4 (171)	7	6-3/4 (171)	8	6-3/4 (171)	8	6-3/4 (171)
1-1/4" 1522 - 1-1/4" 2522	7	6-3/4 (171)	7	6-3/4 (171)	7	6-3/4 (171)	8	6-3/4 (171)	8	6-3/4 (171)
1-1/2" 1521 - 1-1/2" 2521	7	6-3/4 (171)	7	6-3/4 (171)	7	6-3/4 (171)	8	6-3/4 (171)	8	6-3/4 (171)
1-1/2" 1522 - 1-1/2" 2522	7	6-3/4 (171)	7	6-3/4 (171)	7	6-3/4 (171)	8	6-3/4 (171)	8	6-3/4 (171)
2" 1521 - 2" 2521	7	7-1/2 (191)	7	7-1/2 (191)	7	7-1/2 (191)	8	7-1/2 (191)	8	7-1/2 (191)
2" 1522 - 2" 2522	7	7-1/2 (191)	7	7-1/2 (191)	7	7-1/2 (191)	8	7-1/2 (191)	8	7-1/2 (191)
2-1/2" 1521 - 2-1/2" 2521	7	7-1/2 (191)	7	7-1/2 (191)	7	7-1/2 (191)	8	7-1/2 (191)	8	7-1/2 (191)
2-1/2" 1522 - 2-1/2" 2522	7	7-1/2 (191)	7	7-1/2 (191)	7	7-1/2 (191)	8	7-1/2 (191)	8	7-1/2 (191)
3" 1521 - 3" 2521	7	8-1/4 (210)	7	8-1/4 (210)	7	8-1/4 (210)	8	8-1/4 (210)	8	8-1/4 (210)
4" 1521 - 4" 2521	7	8-1/4 (210)	7	8-1/4 (210)	8	8-1/4 (210)	8	8-1/4 (210)	8	8-1/4 (210)

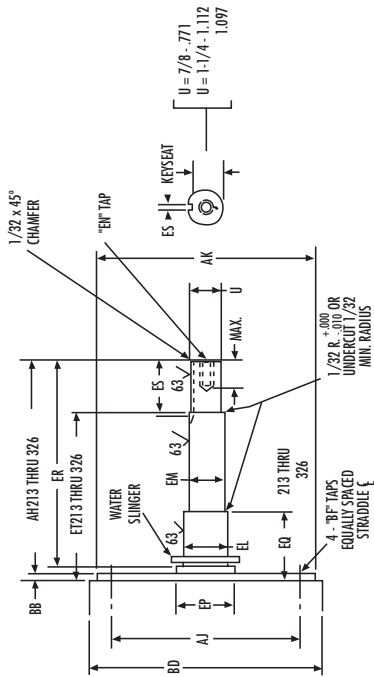
PUMP SIZE	BASE	FRAMES 143T-145T D	BASE	FRAMES 182T-184T D	BASE	FRAMES 213T-215T D	BASE	FRAMES 254T-256T D	BASE	FRAMES 284T/TS-286T/TS D	BASE	FRAMES 324T/TS-326T/TS D	BASE	FRAMES 364TS-365TS D
1-1/2" 1522 - 1-1/2" 2522	8	7 (178)	8	7 (178)	11	7 (178)	12	7 (178)	12	7 (178)	12	8-5/8 (219)	15	9 (229)
1-1/2" 1524 - 1-1/2" 2524	8	8-5/8 (219)	8	8-5/8 (219)	11	8-5/8 (219)	12	8-5/8 (219)	12	8-5/8 (219)	12	8-5/8 (219)	15	9 (229)
2" 1521 - 2" 2521	8	7-1/2 (191)	8	7-1/2 (191)	11	7-1/2 (191)	12	7-1/2 (191)	12	7-1/2 (191)	-	N/A	-	N/A
2" 1524 - 2" 2524	8	9-1/4 (235)	8	9-1/4 (235)	11	9-1/4 (235)	12	9-1/4 (235)	12	9-1/4 (235)	12	9-1/4 (235)	15	9-1/4 (235)
2" 1523 - 2" 2523	8	7-3/4 (197)	8	7-3/4 (197)	11	7-3/4 (197)	12	7-3/4 (197)	12	7-3/4 (197)	12	9-1/8 (232)	-	N/A
2-1/2" 1521 - 2-1/2" 2521	8	7-1/2 (191)	8	7-1/2 (191)	11	7-1/2 (191)	12	7-1/2 (191)	12	7-1/2 (191)	-	N/A	-	N/A
2-1/2" 1523 - 2-1/2" 2523	8	9-1/2 (241)	8	9-1/2 (241)	11	9-1/2 (241)	12	9-1/2 (241)	12	9-1/2 (241)	12	9-1/2 (241)	15	9-1/2 (241)
3" 1521 - 3" 2521	8	8-1/4 (210)	8	8-1/4 (210)	11	8-1/4 (210)	12	8-1/4 (210)	12	8-1/4 (210)	12	8-1/4 (210)	15	10 (254)
3" 1522 - 3" 2522	8	8-5/8 (219)	8	8-5/8 (219)	11	8-5/8 (219)	12	8-5/8 (219)	12	8-5/8 (219)	12	8-5/8 (219)	-	N/A
3" 1523 - 3" 2523	8	10 (254)	8	10 (254)	11	10 (254)	12	10 (254)	12	10 (254)	12	10 (254)	15	10 (254)
4" 1521 - 4" 2521	8	8-1/4 (210)	8	8-1/4 (210)	11	8-1/4 (210)	12	8-1/4 (210)	12	8-1/4 (210)	-	N/A	-	N/A
4" 1522A - 4" 2522A	8	8-7/8 (225)	8	8-7/8 (225)	11	8-7/8 (225)	12	8-7/8 (225)	12	8-7/8 (225)	12	8-7/8 (225)	15	9 (229)
4" 1522B - 4" 2522B	8	9 (229)	11	9 (229)	11	9 (229)	12	9 (229)	12	9 (229)	12	9 (229)	15	9 (229)
4" 1523 - 4" 2523	8	9 (229)	11	9 (229)	11	9 (229)	12	9 (229)	12	9 (229)	12	9 (229)	-	N/A
4" 1524 - 4" 2524	8	10-3/4 (273)	11	10-3/4 (273)	11	10-3/4 (273)	12	10-3/4 (273)	12	10-3/4 (273)	12	10-3/4 (273)	15	10-3/4 (273)
5" 1521 - 5" 2521	-	N/A	-	N/A	11	11-1/4 (286)	12	11-1/4 (286)	12	11-1/4 (286)	12	11-1/4 (286)	-	N/A
5" 1522 - 5" 2522	-	N/A	-	N/A	-	N/A	12	11-1/4 (286)	12	11-1/4 (286)	12	11-1/4 (286)	15	11-1/4 (286)
6" 1521 - 6" 2521	-	N/A	-	N/A	11	9-1/2 (241)	12	9-1/2 (241)	12	9-1/2 (241)	12	9-1/2 (241)	-	N/A
6" 1522 - 6" 2522	-	N/A	-	N/A	11	11-1/2 (292)	12	11-1/2 (292)	12	11-1/2 (292)	12	11-1/2 (292)	-	N/A

PUMP SIZE	BASE	FRAMES 143T-145T D	BASE	FRAMES 182T-184T D	BASE	FRAMES 213T-215T D	BASE	FRAMES 254T-256T D	BASE	FRAMES 284T/TS-286T/TS D	BASE	FRAMES 324T/TS-326T/TS D	BASE	FRAMES 364TS-365TS D	BASE	FRAME 404TS D
2" 1522 - 2" 2522	8	7-1/2 (191)	8	7-1/2 (191)	11	7-1/2 (191)	12	7-1/2 (191)	12	7-1/2 (191)	12	9 (229)	15	9 (229)	-	N/A
2-1/2" 1522 - 2-1/2" 2522	8	7-1/2 (191)	8	7-1/2 (191)	11	7-1/2 (191)	12	7-1/2 (191)	12	7-1/2 (191)	12	9-1/4 (235)	15	9-1/4 (235)	-	N/A
3" 1521 - 3" 2521	8	8-1/4 (210)	8	8-1/4 (210)	11	8-1/4 (210)	12	8-1/4 (210)	12	8-1/4 (210)	12	8-1/4 (210)	15	10 (254)	-	N/A
3" 1523 - 3" 2523	8	10 (254)	8	10 (254)	11	10 (254)	12	10 (254)	12	10 (254)	12	10 (254)	15	10 (254)	-	N/A
4" 1522A - 4" 2522A	8	8-7/8 (225)	8	8-7/8 (225)	11	8-7/8 (225)	12	8-7/8 (225)	12	8-7/8 (225)	12	8-7/8 (225)	15	9 (229)	-	N/A
4" 1524 - 4" 2524	8	10-3/4 (273)	11	10-3/4 (273)	11	10-3/4 (273)	12	10-3/4 (273)	12	10-3/4 (273)	12	10-3/4 (273)	15	10-3/4 (273)	-	N/A
5" 1521 - 5" 2521	-	N/A	-	N/A	11	11-1/4 (286)	12	11-1/4 (286)	12	11-1/4 (286)	12	11-1/4 (286)	-	N/A	-	N/A
5" 1522 - 5" 2522	-	N/A	-	N/A	-	N/A	12	11-1/4 (286)	12	11-1/4 (286)	12	11-1/4 (286)	15	11-1/4 (286)	-	N/A
6" 1522 - 6" 2522	-	N/A	-	N/A	11	11-1/2 (292)	12	11-1/2 (292)	12	11-1/2 (292)	12	11-1/2 (292)	-	N/A	-	N/A
6" 1523 - 6" 2523	-	N/A	-	N/A	-	N/A	12	11-3/8 (289)	12	11-3/8 (289)	12	11-3/8 (289)	15	11-3/8 (289)	16	11-3/8 (289)

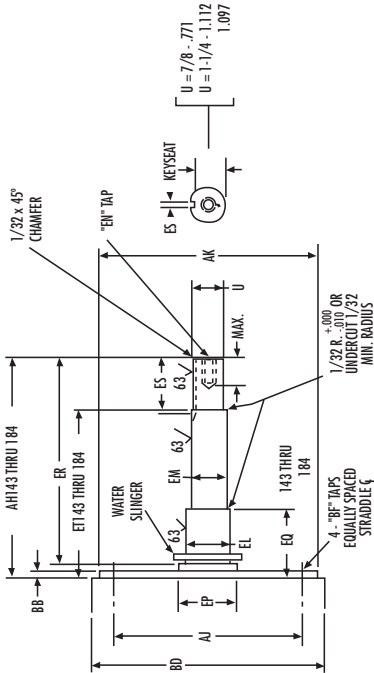
HP	RPM	C FLANGE MOTORS HORIZONTAL FOOT MOUNTED 143-184JM ONLY – SUPPORT FOOT MOUNTED ON PUMP O.D.P. – TOTALLY ENCLOSED – EXPOSURE PROOF				MAGNETIC STARTER SIZE REQUIRED NEMA 1 ENCLOSURE			APPROXIMATE FULL LOAD AMPS			
		OPEN DRIP PROOF FRAME	SERVICE FACTOR O.D.P.	TEFC & EXP. PROOF FRAME	SERVICE FACTOR TEFC & EXP. PROOF	200V & 230V	460V	575V	200V	230V	460V	575V
		1	1750	143	1.15	143	1.0	00	00	00	4.0	3.5
	1150	145		145								
1-1/2	3500	143	1.15	143	1.0	00	00	00	5.4	4.7	2.4	1.9
	1750	145		145								
	1150	182		182								
2	3500	145	1.15	145	1.0	0	00	00	6.9	6	3	2.4
	1750	145		145								
	1150	184		184								
3	3500	145	1.15	182	1.0	0	0	0	9.9	8.6	4.3	3.4
	1750	182		182								
	1150	213		213								
5	3500	182	1.15	184	1.0	1	0	0	15.9	13.8	6.9	5.5
	1750	184		184								
	1150	215		215								
7-1/2	3500	184	1.15	184	1.0	1	1	1	24.3	21.1	10.5	8.4
	1750	213		213								
	1150	254		254								
10	3500	213	1.15	213	1.0	2	1	1	31	27	13.5	10.8
	1750	215		215								
	1150	256		256								
15	3500	215	1.15	254	1.0	3	2	2	45	39.2	19.6	15.7
	1750	254		254								
	1150	284		284								
20	3500	254	1.15	256	1.0	3	2	2	58.7	51	25.5	20
	1750	256		256								
	1150	286		286								
25	3500	256	1.15	284	1.0	3	2	2	72.7	63.2	31.6	25
	1750	284		284								
	1150	324		324								
30	3500	284	1.15	286	1.0	4	3	3	97.8	76.7	38.3	31
	1750	286		286								
	1150	326		326								
40	3500	286	1.15	324	1.0	4	3	3	115	100	50	40
	1750	324		324								
50	3500	324	1.15	326	1.0	5	3	3	141	123	61.5	49
	1750	326		326								
60	3500	326	1.15	N/A	1.0	5	4	4	163	142	71	57

NOTES:

1. Approximate full load amps based on averages for Fairbanks Morse standard O.D.P. motors.
2. Magnetic starter size based on Fairbanks Morse standard O.D.P. motors.
3. Models 2550 & 2530 use JM motor frames.
4. Models 1550 & 1530 use JP motor frames.



213 - 326 MOTOR FRAME DIMENSIONS



143 - 184 MOTOR FRAME DIMENSIONS

MOTOR FRAME SIZES	ES				EN				BF	
	LENGTH	WIDTH	TAP SIZE CLASS 3 R-H. THRD	TAP DRILL DEPTH MAX.	TAP DRILL DEPTH MAX.	TAP DRILL DEPTH MAX.	BOLT PENE-TRATION	BOLT PENE-TRATION	TAP SIZE CLASS 2	BOLT PENE-TRATION
143 &	1.65 MIN.	3/16 +.002 -0.00	3/8-16	1-1/8	1-1/8	1-1/8	3/4	3/4	3/8-16	9/16
145 &	1.65 MIN.	3/16 +.002 -0.00	3/8-16	1-1/8	1-1/8	1-1/8	3/4	3/4	3/8-16	9/16
182 &	1.65 MIN.	3/16 +.002 -0.00	3/8-16	1-1/8	1-1/8	1-1/2	3/4	1	1/2-13	3/4
184 &	1.65 MIN.	3/16 +.002 -0.00	3/8-16	1-1/8	1-1/2	1-1/2	3/4	1	1/2-13	3/4
213 &	2.53 MIN.	1/4 +.002 -0.00	1/2-13	1-1/2	1-1/2	1-1/2	1	1	1/2-13	3/4
254 &	2.50 through 326	1/4 +.002 -0.00	1/2-13	1-1/2	1-1/2	1-1/2	1	1	5/8-11	15/16

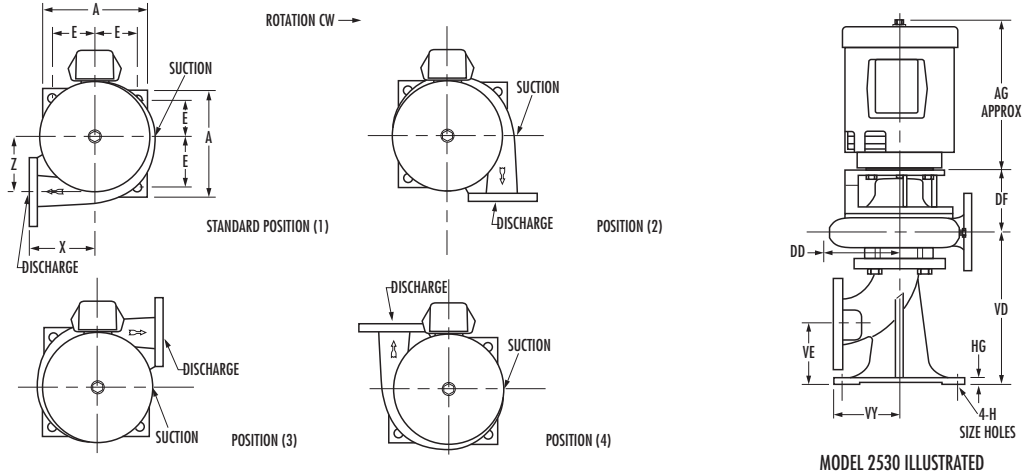
MOTOR FRAME SIZES	340 U	360 U	340 AH	360 AH	AJ	AK	BB	BD	340 EL	360 EL
143 &	7/8 .8745	7/8 .8740	4-1/4 ±.031	7/5-16 ±.031	5-7/8	4-1/2 +.000 -0.03	5/32 +.000 -0.03	6-5/8 MAX.	1-5/32 +.000 -0.02	1-5/32 +.000 -0.02
145 &	.8745	.8740	4-1/4 ±.031	7-5/16 ±.031	5-7/8	4-1/2 +.000 -0.03	5/32 +.000 -0.03	6-5/8 MAX.	1-5/32 +.000 -0.02	1-5/32 +.000 -0.02
182 &	7/8 .8745	7/8 .8740	4-1/4 ±.031	8-1/8 ±.031	7-1/4	8-1/2 +.000 -0.03	5/16 +.000 -0.03	9 MAX.	1-1/4 +.000 -0.02	1-3/4 +.000 -0.02
184 &	7/8 .8745	7/8 .8740	4-1/4 ±.031	8-1/8 ±.031	7-1/4	8-1/2 +.000 -0.03	5/16 +.000 -0.03	9 MAX.	1-1/4 +.000 -0.02	1-3/4 +.000 -0.02
213 &	7/8 .8745	7/8 .8740	4-1/4 ±.031	8-1/8 ±.031	7-1/4	8-1/2 +.000 -0.03	5/16 +.000 -0.03	9 MAX.	1-1/4 +.000 -0.02	1-3/4 +.000 -0.02
215 &	1.2490	1.2490	5-1/4 ±.031	8-1/8 ±.031	7-1/4	8-1/2 +.000 -0.03	5/16 +.000 -0.03	10 MAX.	1-3/4 +.000 -0.02	1-3/4 +.000 -0.02
254 through 326	1.2490	1.2490	5-1/4 ±.031	8-1/8 ±.031	11	12-1/2 +.000 -0.05	5/16 +.000 -0.05	14 MAX.	1-3/4 +.000 -0.02	1-3/4 +.000 -0.02

MOTOR FRAME SIZES	340 EM	360 EM	EP	340 EQ	360 EQ	340 ER	360 ER	340 ET	360 ET
143 &	1 .0000	1 .0000	1-5/32 MIN.	1-9/16 ±.015	1-9/16 ±.015	4-1/4 MIN.	7-5/16 MIN.	2-7/8 ±.015	5-15/16 ±.015
145 &	.0005	.0005	1-1/4 MIN.	1-9/16 ±.015	1-9/16 ±.015	4-1/4 MIN.	7-5/16 MIN.	2-7/8 ±.015	5-15/16 ±.015
182 &	.0000	.0000	1-3/4 MIN.	2-3/8 ±.015	2-3/8 ±.015	4-1/4 MIN.	8-1/8 MIN.	2-7/8 ±.015	5-7/8 ±.015
184 &	.0005	.0005	1-3/4 MIN.	2-3/8 ±.015	2-3/8 ±.015	4-1/4 MIN.	8-1/8 MIN.	2-7/8 ±.015	5-7/8 ±.015
213 &	.0000	.0000	1-3/4 MIN.	2-3/8 ±.015	2-3/8 ±.015	4-1/4 MIN.	8-1/8 MIN.	2-7/8 ±.015	5-7/8 ±.015
215 &	.0005	.0005	1-3/4 MIN.	2-3/8 ±.015	2-3/8 ±.015	4-1/4 MIN.	8-1/8 MIN.	2-7/8 ±.015	5-7/8 ±.015
254 &	1-3/8 .0000	1-3/8 .0000	2-1/8 MIN.	2-3/8 ±.020	2-3/8 ±.020	5-1/4 MIN.	8-1/8 MIN.	3 ±.015	5-7/8 ±.015
256 &	.0005	.0005	2-1/8 MIN.	2-3/8 ±.020	2-3/8 ±.020	5-1/4 MIN.	8-1/8 MIN.	3 ±.015	5-7/8 ±.015
284 through 326	.0000	.0000	2-1/8 MIN.	2-3/8 ±.020	2-3/8 ±.020	5-1/4 MIN.	8-1/8 MIN.	3 ±.020	5-7/8 ±.020

- NOTES:
1. Shaft material — AISI 1018 steel.
  2. Water slinger to be furnished with motor.
  3. End play not to exceed .005.
  4. Shaft diameters and rabbet to be concentric within .004 TIR.
  5. JP Motors are used on 2500 series pumps. JP Motors are used on 1500 series pumps.

\* Keyway width for 213-215 motor frame sizes:  
JM Motors = 3/16" wide  
JP Motors = 1/4" wide

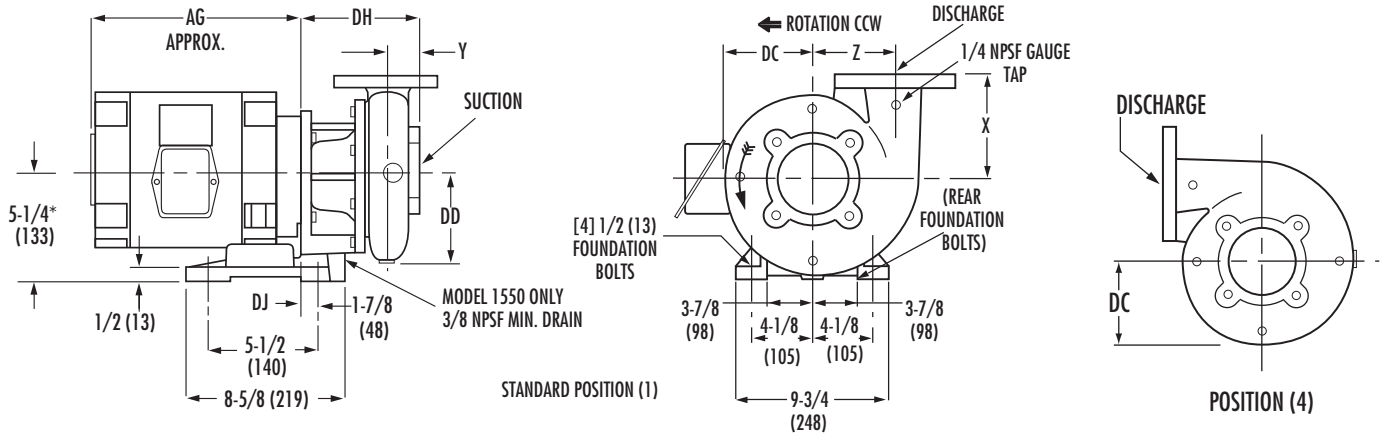
JM OR JP	
FRAME	AG
143	10 (254)
145	11 (276)
182	11 (276)
184	12 (304)
213	14 (255)
215	15 (381)
254	17 (431)
256	19 (482)
284	19 (482)
286	21 (533)
324	22 (558)
326	23 (584)



- NOTES:
1. All dimensions in inches and (mm).
  2. Dimensions may vary  $\pm 1/4"$  (6).
  3. Not for construction purposes unless certified.
  4. N/A = Not Applicable.
  5. Conduit box is shown in approximate location. Dimensions are not specified as they vary with each motor manufacturer.

PUMPS WITH FLANGED SUCTION CONNECTIONS AND THREADED DISCHARGE CONNECTIONS																		
PUMP SIZE	DISCH.	SUCTION	CASE BORE	A	E	H	X	Z	DD	2530 DF			1530 DF		HG	VD	VE	VY
										143JM 215JM	254JM 326JM	284JM 326JM	143JP 184JP	213JP 326JP				
1-1/4" 1531 - 1-1/4" 2531	1-1/4	1-1/2	7	9 (228)	3-3/4 (95)	5/8 (16)	5-1/4 (133)	4-3/16 (106)	5-3/16 (132)	4-3/4 (121)	N/A	N/A	7-13/16 (198)	N/A	1/2 (13)	9-3/8 (238)	3-3/4 (95)	4 (102)
1-1/4" 1532 - 1-1/4" 2532	1-1/4	1-1/2	9	9 (228)	3-3/4 (95)	5/8 (16)	6-5/8 (168)	5-3/8 (137)	6-3/8 (162)	4-11/16 (119)	N/A	N/A	7-3/4 (197)	N/A	1/2 (13)	9-3/8 (238)	3-3/4 (95)	4 (102)
1-1/2" 1531 - 1-1/2" 2531	1-1/2	2	7	10 (254)	4-1/8 (105)	3/4 (19)	5-3/8 (137)	4-5/16 (110)	5-3/8 (137)	4-13/16 (122)	N/A	N/A	7-7/8 (200)	N/A	1/2 (13)	10-5/16 (262)	4-1/8 (105)	4-1/2 (114)
1-1/2" 1532 - 1-1/2" 2532	1-1/2	2	9	10 (254)	4-1/8 (105)	3/4 (19)	6-3/4 (171)	5-1/2 (140)	6-9/16 (167)	4-3/4 (121)	5-3/4 (146)	N/A	7-13/16 (198)	8-5/8 (219)	1/2 (13)	10-5/16 (262)	4-1/8 (105)	4-1/2 (114)
1-1/2" 1533 - 1-1/2" 2533	1-1/2	2	11	10 (254)	4-1/8 (105)	3/4 (19)	9 (229)	6-1/8 (156)	7-1/4 (184)	4-3/4 (121)	N/A	N/A	N/A	8-5/8 (219)	1/2 (13)	10-1/2 (267)	4-1/8 (105)	4-1/2 (114)
1-1/2" 1534 - 1-1/2" 2534	1-1/2	2	12	10 (254)	4-1/8 (105)	3/4 (19)	7-3/4 (197)	7-1/16 (179)	8-1/4 (210)	4-7/8 (124)	5-7/8 (149)	N/A	N/A	8-3/4 (222)	1/2 (13)	10-7/16 (265)	4-1/8 (105)	4-1/2 (114)
PUMPS WITH ANSI LB. FLANGED CONNECTIONS																		
2" 1531 - 2" 2531	2	2-1/2	7	10 (254)	4-1/8 (105)	3/4 (19)	5-5/8 (143)	4-9/16 (116)	5-13/16 (148)	4-15/16 (125)	5-15/16 (151)	N/A	8 (203)	8-13/16 (224)	1/2 (13)	11-7/16 (291)	4-1/2 (114)	5 (127)
2" 1532 - 2" 2532	2	2-1/2	9	10 (254)	4-1/8 (105)	3/4 (19)	7 (178)	5-11/16 (144)	6-7/8 (175)	4-7/8 (124)	5-7/8 (149)	5-7/8 (149)	7-15/16 (202)	8-3/4 (222)	1/2 (13)	11-7/16 (291)	4-1/2 (114)	5 (127)
2" 1534 - 2" 2534	2	2-1/2	12	10 (254)	4-1/8 (105)	3/4 (19)	8 (203)	7-3/16 (183)	8-1/2 (216)	5 (127)	6 (152)	N/A	N/A	8-7/8 (225)	1/2 (13)	11-7/16 (291)	4-1/2 (114)	5 (127)
2" 1533 - 2" 2533	2	3	11	13-1/2 (342)	5-3/4 (146)	3/4 (19)	8 (203)	6-1/2 (165)	7-3/8 (187)	5-1/8 (130)	6-1/8 (156)	6-1/8 (156)	N/A	8-5/8 (219)	1/2 (13)	12-7/8 (327)	5 (127)	5-1/2 (140)
2-1/2" 1531 - 2-1/2" 2531	2-1/2	3	7	13-1/2 (342)	5-3/4 (146)	3/4 (19)	5-7/8 (149)	4-13/16 (122)	6-1/4 (159)	5-1/16 (129)	6-1/16 (154)	N/A	8-1/8 (206)	8-15/16 (225)	1/2 (13)	12-9/16 (319)	5 (127)	5-1/2 (140)
2-1/2" 1532 - 2-1/2" 2532	2-1/2	3	9	13-1/2 (342)	5-3/4 (146)	3/4 (19)	7-1/4 (184)	5-15/16 (151)	7-1/4 (184)	5 (127)	6 (152)	6 (152)	8-1/16 (205)	8-7/8 (225)	1/2 (13)	12-9/16 (319)	5 (127)	5-1/2 (140)
2-1/2" 1533 - 2-1/2" 2533	2-1/2	3	12	13-1/2 (342)	5-3/4 (146)	3/4 (19)	8-1/4 (210)	7-3/8 (187)	8-1/4 (222)	5-1/8 (130)	6-1/8 (156)	6-1/8 (156)	N/A	9 (229)	1/2 (13)	12-9/16 (319)	5 (127)	5-1/2 (140)
3" 1531 - 3" 2531	3	4	9	13-1/2 (342)	5-3/4 (146)	3/4 (19)	7-1/2 (191)	6-1/8 (156)	7-7/16 (189)	5-1/8 (130)	6-1/8 (156)	6-1/8 (156)	8-3/16 (208)	9 (229)	5/8 (16)	14-11/16 (373)	6 (152)	6-1/2 (165)
3" 1532 - 3" 2532	3	4	11	13-1/2 (342)	5-3/4 (146)	3/4 (19)	9 (229)	7 (178)	8-3/16 (208)	5-7/16 (138)	6-7/16 (164)	6-7/16 (164)	N/A	9-1/8 (232)	5/8 (16)	15-1/4 (387)	6 (152)	6-1/2 (165)
3" 1533 - 3" 2533	3	4	12	13-1/2 (342)	5-3/4 (146)	3/4 (19)	8-1/2 (216)	7-9/16 (192)	8-15/16 (227)	5-1/2 (140)	6-1/2 (165)	6-1/2 (165)	N/A	9-1/8 (232)	5/8 (16)	14-11/16 (373)	6 (152)	6-1/2 (165)
4" 1531 - 4" 2531	4	4	7	13-1/2 (342)	5-3/4 (146)	3/4 (19)	6-1/2 (165)	5-1/2 (140)	7-5/16 (186)	5-7/16 (138)	6-7/16 (164)	N/A	8-1/2 (216)	9-5/16 (237)	5/8 (16)	14-15/16 (379)	6 (152)	6-1/2 (165)
4" 1532A - 4" 2532A	4	5	9A	15 (381)	6-3/8 (162)	7/8 (22)	7-1/4 (184)	5-3/4 (146)	7-3/8 (187)	5-1/4 (133)	6-1/4 (159)	6-1/4 (159)	N/A	9-1/8 (232)	3/4 (19)	17-3/16 (437)	6-1/2 (165)	7-1/2 (191)
4" 1532B - 4" 2532B	4	5	9B	15 (381)	6-3/8 (162)	7/8 (22)	7-3/4 (197)	6-5/8 (168)	8-11/16 (221)	5-3/8 (137)	6-3/8 (162)	N/A	N/A	9-1/4 (235)	3/4 (19)	16-11/16 (424)	6-1/2 (165)	7-1/2 (191)
4" 1533 - 4" 2533	4	5	11	15 (381)	6-3/8 (162)	7/8 (22)	9 (229)	7-1/4 (184)	8-11/16 (221)	5-5/8 (143)	6-5/8 (168)	6-5/8 (168)	N/A	9-1/4 (235)	3/4 (19)	17 (432)	6-1/2 (165)	7-1/2 (191)
4" 1534 - 4" 2534	4	5	12	15 (381)	6-3/8 (162)	7/8 (22)	8-3/4 (222)	7-15/16 (202)	9-9/16 (243)	N/A	6-3/4 (171)	6-3/4 (171)	N/A	9-3/8 (238)	3/4 (19)	16-11/16 (424)	6-1/2 (165)	7-1/2 (191)
5" 1531 - 5" 2531	5	6	11	15 (381)	6-3/8 (162)	7/8 (22)	9 (229)	8-1/16 (205)	10-1/8 (257)	6 (152)	7 (178)	7 (178)	N/A	9-5/8 (244)	3/4 (19)	18-1/8 (460)	7 (178)	8 (203)
5" 1532 - 5" 2532	5	6	12	15 (381)	6-3/8 (162)	7/8 (22)	9 (229)	8-5/16 (211)	10-1/8 (257)	N/A	7 (178)	7 (178)	N/A	9-5/8 (244)	3/4 (19)	17-7/8 (454)	7 (178)	8 (203)
6" 1531 - 6" 2531	6	6	9	15 (381)	6-3/8 (162)	7/8 (22)	8-1/4 (210)	7 (178)	9 (229)	5-1/2 (140)	6-1/2 (165)	N/A	N/A	9-3/8 (238)	3/4 (19)	17-13/16 (452)	7 (178)	8 (203)
6" 1532 - 6" 2532	6	6	11	15 (381)	6-3/8 (162)	7/8 (22)	9-1/4 (235)	8-11/16 (221)	11-1/4 (286)	N/A	7-1/4 (184)	7-1/4 (184)	N/A	9-7/8 (251)	3/4 (19)	18-1/4 (464)	7 (178)	8 (203)
6" 1533 - 6" 2533	6	6	12	15 (381)	6-3/8 (162)	7/8 (22)	9-1/4 (235)	8-11/16 (221)	11-1/4 (286)	N/A	7-1/4 (184)	7-1/4 (184)	N/A	9-7/8 (251)	3/4 (19)	18-1/4 (464)	7 (178)	8 (203)

**JM & JP Motor Frames 143 Through 184**



PUMPS WITH THREADED CONNECTIONS														
PUMP SIZE	DISCHARGE	SUCTION	CASE BORE	X	Y	Z	DC	DD	DH		DJ			
									2550	1550	2550	1550		
1-1/4" 1551 - 1-1/4" 2551	1-1/4	1-1/2	7	5-1/4 (133)	2-7/16 (62)	4-3/16 (106)	4-15/16 (125)	5-3/16 (132)	7-3/16 (183)	10-1/4 (266)	5/8 (16)	1-7/8 (48)		
1-1/4" 1552 - 1-1/4" 2552	1-1/4	1-1/2	9	6-5/8 (168)	2-9/16 (65)	5-3/8 (136)	6-3/16 (157)	6-3/8 (162)	7-1/4 (184)	10-5/16 (261)				
1-1/2" 1551 - 1-1/2" 2551	1-1/2	2	7	5-3/8 (136)	2-1/2 (63)	4-5/16 (109)	5-1/8 (130)	5-3/8 (136)	7-5/16 (186)	10-3/8 (263)				
1-1/2" 1552 - 1-1/2" 2552	1-1/2	2	9	6-3/4 (171)	2-5/8 (67)	5-1/2 (140)	6-5/16 (160)	6-9/16 (167)	7-3/8 (187)	10-7/16 (262)				
PUMPS WITH AM. STD. 125 LB. FLANGED CONNECTIONS														
2" 1551 - 2" 2551	2	2-1/2	7	5-5/8 (143)	1-7/8 (48)	4-9/16 (116)	5-3/8 (136)	5-13/16 (148)	6-13/16 (173)	9-7/8 (250)			5/8 (16)	1-7/8 (48)
2" 1552 - 2" 2552	2	2-1/2	9	7 (178)	1-7/8 (48)	5-11/16 (144)	6-1/2 (165)	6-7/8 (175)	6-3/4 (171)	9-13/16 (249)				
2-1/2" 1551 - 2-1/2" 2551	2-1/2	3	7	5-7/8 (149)	2 (51)	4-13/16 (122)	5-13/16 (148)	6-1/4 (159)	7-1/16 (179)	10-1/8 (257)				
2-1/2" 1552 - 2-1/2" 2552	2-1/2	3	9	7-1/4 (184)	2 (51)	5-15/16 (151)	6-3/4 (171)	7-1/4 (184)	7 (178)	10-1/16 (255)				
3" 1551 - 3" 2551	3	4	9	7-1/2 (190)	2-1/8 (54)	6-1/8 (156)	6-7/8 (175)	7-7/16 (189)	7-1/4 (184)	10-5/16 (261)				
4" 1551 - 4" 2551	4	4	7	6-1/2 (165)	2-1/2 (63)	5-1/2 (140)	6-7/16 (163)	7-5/16 (186)	7-15/16 (202)	11 (279)				
4" 1552A - 4" 2552A	4	5	9A	7-1/4 (184)	3-1/8 (79)	5-3/4 (146)	6-11/16 (169)	7-3/8 (187)	8-3/8 (212)	11-7/16 (290)				
4" 1552B - 4" 2552B	4	5	9B	7-3/4 (196)	2-5/8 (66)	6-5/8 (168)	8-1/16 (204)	8-11/16 (220)	8 (203)	11 (279)				

- NOTES:
1. All dimensions in inches and (mm).
  2. Dimensions may vary ± 1/4" (6).
  3. Not for construction purposes unless certified.
  4. Check discharge position. Casing dimension that exceeds 5-1/4 (133) height may require pads for the support.

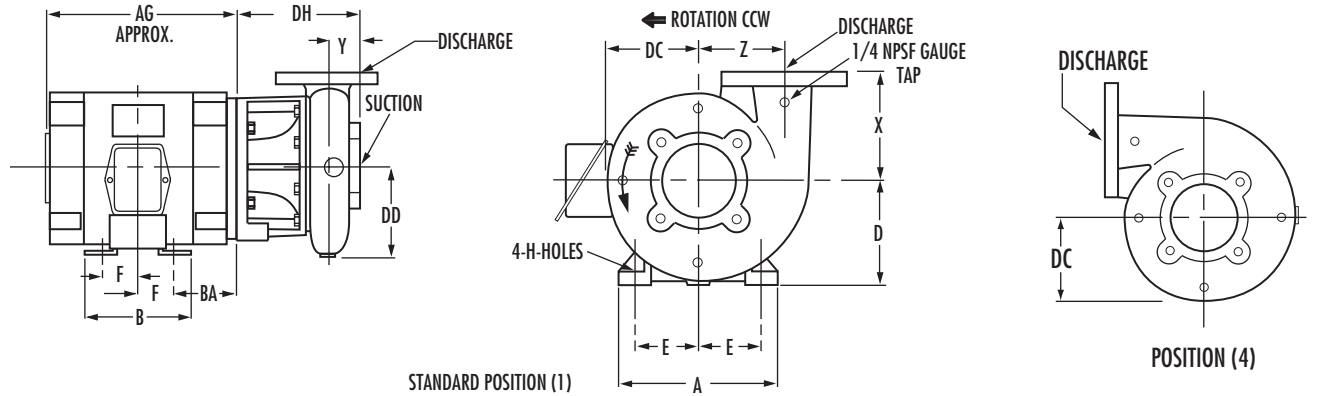
5. Conduit box is shown in approximate location. Dimensions are not specified as they vary with each motor manufacturer.
6. Model 2550 uses JM motor frames.  
Model 1550 uses JP motor frames.  
\* 6-1/4 (159) for 9 (229) case bore pumps (Model 2550 only).

**JM OR JP**

FRAME	AG
143	10 (254)
145	11 (279)
182	11 (279)
184	12 (305)



**JM & JP Motor Frames 213 Through 326**



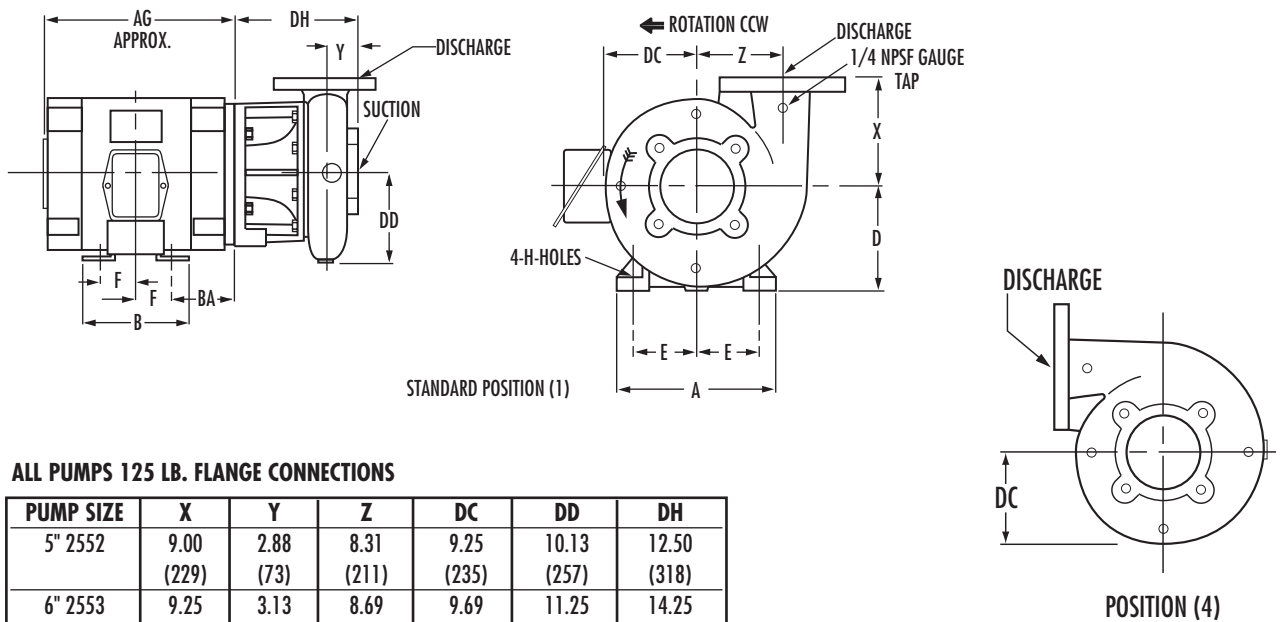
PUMPS WITH THREADED CONNECTIONS										DH			
PUMP SIZE	DISCH.	SUCTION	CASE BORE	X	Y	Z	DC	DD	2550		1550		
									213JM 215JM	254JM 256JM	284JM 326JM	213JP 326JP	
1-1/4" 1551 - 1-1/4" 2551	1-1/4	1-1/2	7	5-1/4 (133)	2-7/16 (62)	4-3/16 (106)	4-15/16 (125)	5-3/16 (132)	7-3/16 (183)	N/A	N/A	N/A	
1-1/4" 1552 - 1-1/4" 2552	1-1/4	1-1/2	9	6-5/8 (168)	2-9/16 (65)	5-3/8 (136)	6-3/16 (157)	6-3/8 (162)	7-1/4 (184)	N/A	N/A	N/A	
1-1/2" 1551 - 1-1/2" 2551	1-1/2	2	7	5-3/8 (136)	2-1/2 (63)	4-5/16 (109)	5-1/8 (130)	5-3/8 (136)	7-5/16 (186)	N/A	N/A	N/A	
1-1/2" 1552 - 1-1/2" 2552	1-1/2	2	9	6-3/4 (171)	2-5/8 (67)	5-1/2 (140)	6-5/16 (160)	6-9/16 (167)	7-3/8 (187)	8-3/8 (213)	8-3/8 (213)	11-1/4 (286)	
1-1/2" 1553 - 1-1/2" 2553	1-1/2	2	11	9 (229)	2-13/16 (71)	6-1/8 (156)	7-1/16 (179)	7-1/4 (184)	7-9/16 (192)	8-9/16 (217)	8-9/16 (217)	11-7/16 (290)	
1-1/2" 1554 - 1-1/2" 2554	1-1/2	2	12	7-3/4 (197)	2-3/4 (70)	7-1/16 (179)	8 (203)	8-1/4 (210)	7-5/8 (194)	8-5/8 (219)	N/A	11-1/2 (292)	
PUMPS WITH ANSI 125 LB. FLANGED CONNECTIONS													
2" 1551 - 2" 2551	2	2-1/2	7	5-5/8 (143)	1-7/8 (48)	4-9/16 (116)	5-3/8 (136)	5-13/16 (148)	6-13/16 (173)	7-13/16 (198)	N/A	10-11/16 (271)	
2" 1552 - 2" 2552	2	2-1/2	9	7 (178)	1-7/8 (48)	5-11/16 (144)	6-1/2 (165)	6-7/8 (175)	6-3/4 (171)	7-3/4 (197)	7-3/4 (197)	10-5/8 (270)	
2" 1554 - 2" 2554	2	2-1/2	12	8 (203)	1-7/8 (48)	7-3/16 (183)	8-3/16 (208)	8-1/2 (216)	6-7/8 (175)	7-7/8 (200)	N/A	10-3/4 (273)	
2" 1553 - 2" 2553	2	3	11	8 (203)	2-3/8 (60)	6-1/2 (165)	7 (178)	7-3/8 (187)	7-1/2 (190)	8-1/2 (216)	8-1/2 (216)	11-3/8 (289)	
2-1/2" 1551 - 2-1/2" 2551	2-1/2	3	7	5-7/8 (149)	2 (51)	4-13/16 (148)	5-13/16 (159)	6-1/4 (159)	7-1/16 (179)	8-1/16 (205)	N/A	10-15/16 (278)	
2-1/2" 1552 - 2-1/2" 2552	2-1/2	3	9	7-1/4 (184)	2 (51)	5-15/16 (151)	6-3/4 (171)	7-1/4 (184)	7 (178)	8 (203)	8 (203)	10-7/8 (276)	
2-1/2" 1553 - 2-1/2" 2553	2-1/2	3	12	8-1/4 (210)	2 (51)	7-3/8 (187)	8-3/8 (213)	8-3/4 (213)	7-1/8 (181)	8-1/8 (206)	8-1/8 (206)	11 (279)	
3" 1551 - 3" 2551	3	4	9	7-1/2 (190)	2-1/8 (54)	6-1/8 (156)	6-7/8 (175)	7-7/16 (189)	7-1/4 (184)	8-1/4 (210)	8-1/4 (210)	11-1/8 (283)	
3" 1552 - 3" 2552	3	4	11	9 (229)	2-3/4 (70)	7 (179)	7-9/16 (192)	8-3/16 (208)	8-3/16 (208)	9-3/16 (233)	9-3/16 (233)	12-1/16 (306)	
3" 1553 - 3" 2553	3	4	12	8-1/2 (216)	2-1/8 (54)	7-9/16 (192)	8-7/16 (214)	8-15/16 (227)	7-5/8 (194)	8-5/8 (219)	8-5/8 (219)	11-1/4 (286)	
4" 1551 - 4" 2551	4	4	7	6-1/2 (165)	2-1/2 (63)	5-1/2 (140)	6-7/16 (163)	7-5/16 (186)	7-15/16 (202)	8-15/16 (227)	8-15/16 (227)	11-13/16 (300)	
4" 1552A - 4" 2552A	4	5	9A	7-1/4 (184)	3-1/8 (79)	5-3/4 (146)	6-11/16 (170)	7-3/8 (187)	8-3/8 (213)	9-3/8 (238)	9-3/8 (238)	12-1/4 (311)	
4" 1552B - 4" 2552B	4	5	9B	7-3/4 (197)	2-5/8 (67)	6-5/8 (168)	8-1/16 (205)	8-11/16 (221)	8 (203)	9 (229)	N/A	11-7/8 (302)	
4" 1553 - 4" 2553	4	5	11	9 (229)	3 (76)	7-1/4 (184)	7-15/16 (202)	8-11/16 (221)	8-5/8 (219)	9-5/8 (244)	9-5/8 (244)	12-1/2 (317)	
4" 1554 - 4" 2554	4	5	12	8-3/4 (222)	2-5/8 (67)	7-15/16 (202)	8-7/8 (225)	9-9/16 (243)	N/A	9-3/8 (238)	9-3/8 (238)	12 (305)	
5" 1551 - 5" 2551	5	6	11	9 (229)	3-1/8 (79)	8-1/16 (205)	8-11/16 (221)	10-1/8 (257)	9-1/8 (232)	10-1/8 (257)	10-1/8 (259)	13 (330)	
5" 1552 - 5" 2552	5	6	12	9 (229)	2-7/8 (73)	8-5/16 (211)	9-1/4 (235)	10-1/8 (257)	N/A	9-7/8 (251)	9-7/8 (251)	12-1/2 (317)	
6" 1551 - 6" 2551	6	6	9	8-1/4 (210)	2-3/4 (70)	7 (178)	8 (203)	9 (229)	8-1/4 (210)	9-1/4 (235)	N/A	12-1/8 (308)	
6" 1552 - 6" 2552	6	6	11	9-1/4 (235)	3-1/8 (79)	8-11/16 (221)	9-11/16 (246)	11-1/4 (286)	9-7/8 (251)	10-3/8 (264)	10-3/8 (264)	13 (330)	
6" 1553 - 6" 2553	6	6	12	9-1/4 (235)	3-1/8 (79)	8-11/16 (221)	9-11/16 (246)	11-1/4 (286)	N/A	10-3/8 (264)	10-3/8 (264)	13 (330)	

- NOTES:**
- All dimensions in inches and (mm).
  - Dimensions may vary ± 1/4" (6).
  - Not for construction purposes unless certified.
  - N/A = Not Applicable.
  - Check discharge position. Casing dimensions that exceed dimension "D" may require pads for the motor.
  - Conduit box is shown in approximate location. Dimensions are not specified as they vary with each motor manufacturer.

**JM OR JP MOTOR FRAMES**

FRAME	213	215	254	256	284	286	324	326
A	10-1/2 (267)	10-1/2 (267)	12-1/2 (317)	12-1/2 (317)	14 (356)	14 (356)	16 (406)	16 (406)
B	7-1/2 (190)	9 (229)	10-3/4 (273)	12-1/2 (317)	12-1/2 (317)	14 (356)	14 (356)	15-1/2 (394)
D	5-1/4 (133)	5-1/4 (133)	6-1/4 (159)	6-1/4 (159)	7 (178)	7 (178)	8 (203)	8 (203)
E	4-1/4 (108)	4-1/4 (108)	5 (127)	5 (127)	5-1/2 (140)	5-1/2 (140)	6-1/4 (159)	6-1/4 (159)
F	2-3/4 (70)	3-1/2 (89)	4-1/8 (111)	4-1/8 (111)	5 (140)	5 (140)	5-1/4 (133)	5-1/4 (133)
H	13/32 (10)	13/32 (10)	17/32 (13)	17/32 (13)	17/32 (13)	17/32 (13)	21/32 (16)	21/32 (16)
AG APPROX.	14 (356)	15 (381)	17-1/2 (444)	19 (483)	19 (483)	21 (533)	22 (558)	23 (584)
BA	4-1/2 (114)	4-1/2 (114)	5 (127)	5 (127)	5 (127)	5 (127)	5-1/2 (140)	5-1/2 (140)

**364TCZ Frame**



**ALL PUMPS 125 LB. FLANGE CONNECTIONS**

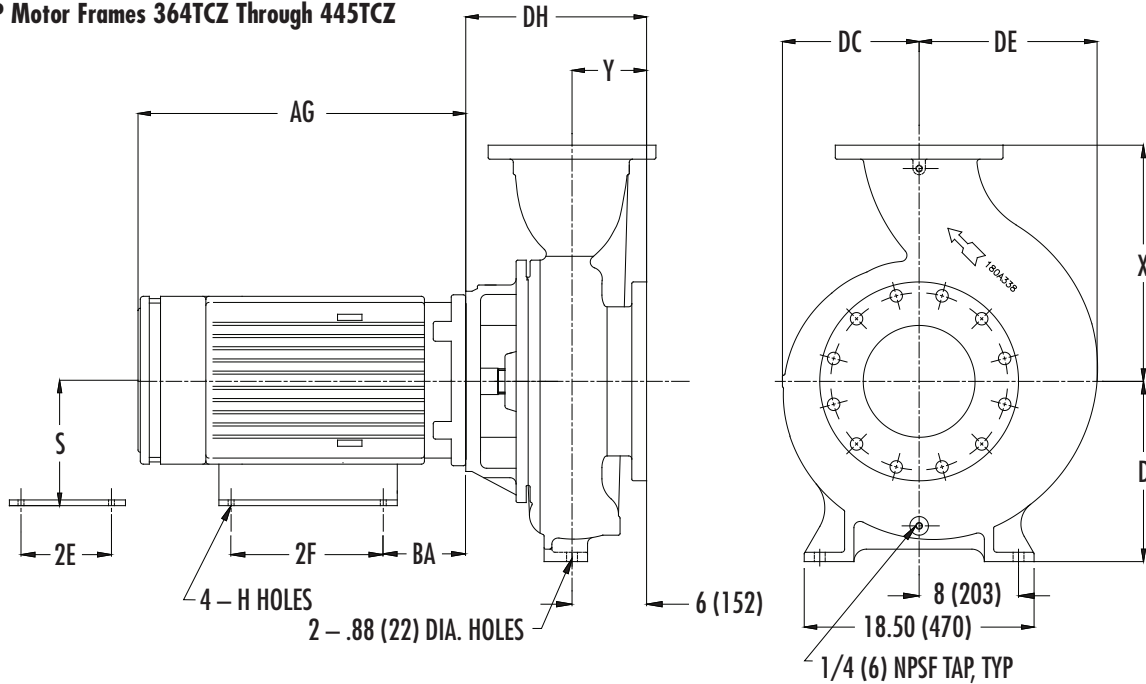
PUMP SIZE	X	Y	Z	DC	DD	DH
5" 2552	9.00 (229)	2.88 (73)	8.31 (211)	9.25 (235)	10.13 (257)	12.50 (318)
6" 2553	9.25 (235)	3.13 (80)	8.69 (221)	9.69 (246)	11.25 (286)	14.25 (362)

MOTOR FRAME	364TCZ	365TCZ
A	18.00 (457)	18.00 (457)
B	14.75 (375)	15.75 (400)
D	9.00 (229)	9.00 (229)
E	7.00 (178)	7.00 (178)
F	5.63 (143)	6.13 (156)
H	0.66 (17)	0.66 (17)
AG approx.	26 (660)	28 (711)
BA	5.88 (149)	5.88 (149)

**NOTES:**

1. All dimensions in inches (mm), weight in pounds (kg).
2. Dimensions may vary  $\pm 1/4"$  (6).
3. Not for construction purposes unless certified.
4. Conduit box is not specified as they vary with each motor manufacturer.

**JM & JP Motor Frames 364TCZ Through 445TCZ**



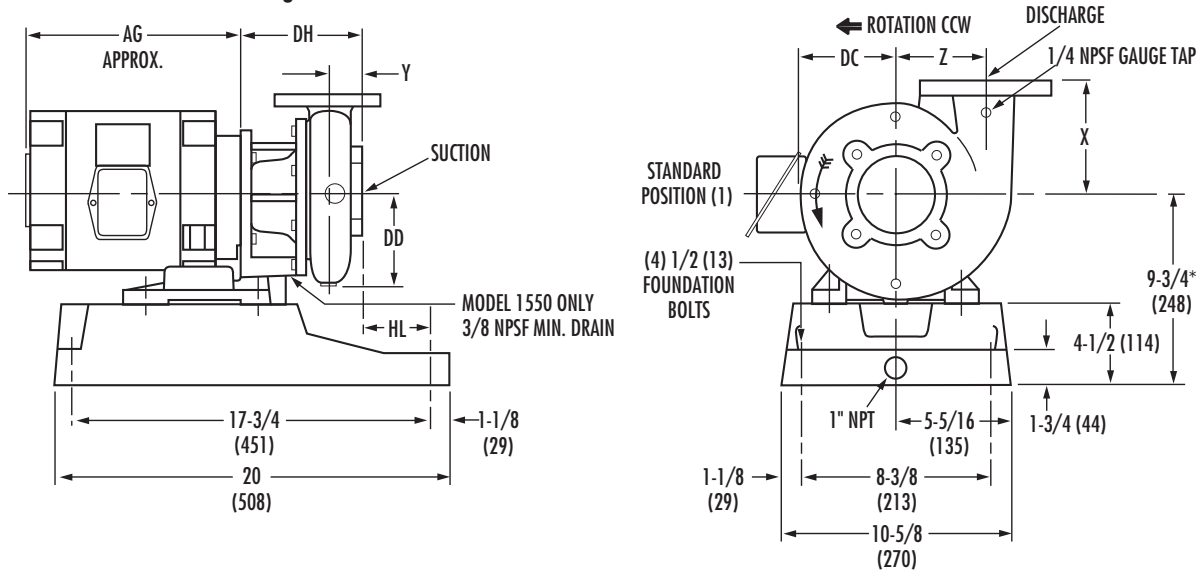
PUMP SIZE	X	Y	D	DE	DC	DH	PUMP WEIGHT
6" 2554	18.00 (457)	6.00 (152)	14.50 (368)	12.88 (327)	10.44 (265)	9.56 (243)	365 (166)
8" 2554	19.00 (483)	6.00 (152)	14.50 (368)	14.38 (365)	11.00 (279)	9.56 (243)	505 (229)

Motor Frame	364TCZ	365TCZ	404TCZ	405TCZ	444TCZ	445TCZ
BA	5.88 (149)	5.88 (149)	6.62 (168)	6.62 (168)	7.50 (191)	7.50 (191)
2F	11.25 (286)	12.25 (311)	12.25 (311)	13.75 (349)	14.50 (368)	16.50 (419)
2E	14.00 (356)	14.00 (356)	16.00 (406)	16.00 (406)	18.00 (457)	18.00 (457)
S	9.00 (229)	9.00 (229)	10.00 (254)	10.00 (254)	11.00 (279)	11.00 (279)
H	0.66 (17)	0.66 (17)	0.81 (21)	0.81 (21)	0.81 (21)	0.81 (21)
AG approx.	31.5 (800)	32.5 (826)	34 (864)	37.5 (953)	43 (1092)	48 (1219)

**NOTES:**

1. All dimensions in inches (mm), weight in pounds (kg).
2. Dimensions may vary plus/minus 1/4".
3. Not for construction purposed unless certified.
4. Conduit box is not specified as they vary with each motor manufacturer.

**JM & JP Motor Frames 143 Through 184 on Cast Iron Base**



PUMPS WITH THREADED CONNECTIONS												
PUMP SIZE	DISCHARGE	SUCTION	CASE BORE	X	Y	Z	DC	DD	DH		HL	
									2550	1550	2550	1550
1-1/4" 1551 – 1-1/4" 2551	1-1/4	1-1/2	7	5-1/4 (133)	2-7/16 (62)	4-3/16 (106)	4-15/16 (125)	5-3/16 (132)	7-3/16 (183)	10-1/4 (260)	3-3/16 (81)	1-3/8 (35)
1-1/4" 1552 – 1-1/4" 2552	1-1/4	1-1/2	9	6-5/8 (168)	2-9/16 (65)	5-3/8 (136)	6-3/16 (157)	6-3/8 (162)	7-1/4 (184)	10-5/16 (262)	3-1/8 (79)	1-5/16 (33)
1-1/2" 1551 – 1-1/2" 2551	1-1/2	2	7	5-3/8 (136)	2-1/2 (63)	4-5/16 (109)	5-1/8 (130)	5-3/8 (136)	7-5/16 (186)	10-3/8 (264)	3-1/16 (78)	1-1/4 (32)
1-1/2" 1552 – 1-1/2" 2552	1-1/2	2	9	6-3/4 (171)	2-5/8 (67)	5-1/2 (140)	6-5/16 (160)	6-9/16 (167)	7-3/8 (187)	10-7/16 (265)	3 (76)	1-3/16 (30)
PUMPS WITH AM. STD. 125 LB. FLANGED CONNECTIONS												
2" 1551 – 2" 2551	2	2-1/2	7	5-5/8 (143)	1-7/8 (48)	4-9/16 (116)	5-3/8 (136)	5-13/16 (148)	6-13/16 (173)	9-7/8 (251)	3-9/16 (90)	1-3/4 (44)
2" 1552 – 2" 2552	2	2-1/2	9	7 (178)	1-7/8 (48)	5-11/16 (144)	6-1/2 (165)	6-7/8 (175)	6-3/4 (171)	9-13/16 (249)	3-5/8 (92)	1-13/16 (46)
2-1/2" 1551 – 2-1/2" 2551	2-1/2	3	7	5-7/8 (149)	2 (51)	4-13/16 (122)	5-13/16 (148)	6-1/4 (159)	7-1/16 (179)	10-1/8 (257)	3-5/16 (84)	1-1/2 (38)
2-1/2" 1552 – 2-1/2" 2552	2-1/2	3	9	7-1/4 (184)	2 (51)	5-15/16 (151)	6-3/4 (171)	7-1/4 (184)	7 (178)	10-1/16 (256)	3-3/8 (86)	1-9/16 (32)
3" 1551 – 3" 2551	3	4	9	7-1/2 (190)	2-1/8 (54)	6-1/8 (156)	6-7/8 (175)	7-7/16 (189)	7-1/4 (184)	10-5/16 (262)	3-1/8 (80)	1-5/16 (33)
4" 1551 – 4" 2551	4	4	7	6-1/2 (165)	2-1/2 (63)	5-1/2 (140)	6-7/16 (163)	7-5/16 (186)	7-15/16 (202)	11 (279)	2-7/16 (62)	5/8 (16)

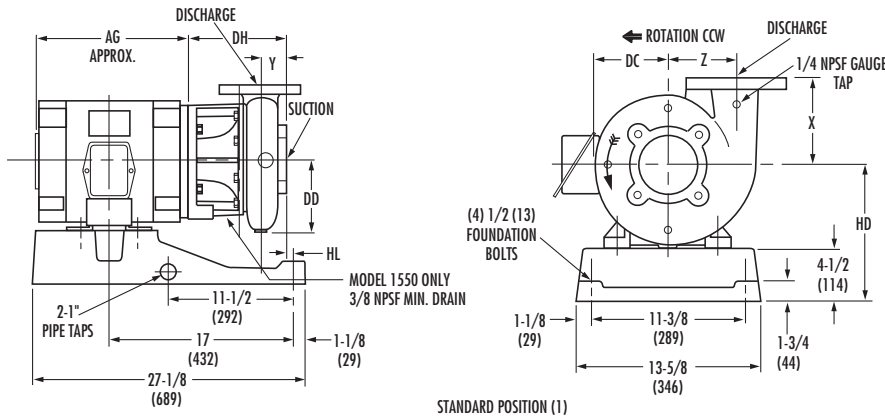
**JM OR JP**

FRAME	AG
143	10 (254)
145	11 (279)
182	11 (279)
184	12 (305)

**NOTES:**

- All dimensions in inches and (mm).
  - Dimensions may vary ± 1/4" (6).
  - Not for construction purposes unless certified.
  - Conduit box is shown in approximate location. Dimensions are not specified as they vary with each motor manufacturer.
- \* 10-3/4 (159) for 9 (229) case bore pumps (Model 2550 only).

**JM & JP Motor Frames 213 Through 256 on Cast Iron Base**



JM OR JP	
FRAME	AG
213	14 (355)
215	15 (381)
254	17 (431)
256	19 (355)

PUMPS WITH THREADED CONNECTIONS									DH			HD		HL		
PUMP SIZE	DISCH.	SUCTION	CASE BORE	X	Y	Z	DC	DD	2550			213	254	1550		
									213JM	254JM	1550			213JM	254JM	213JP
									215JM	256JM	256JP	215	256	215JM	256JM	256JP
1-1/4" 1551 - 1-1/4" 2551	1-1/4	1-1/2	7	5-1/4 (133)	2-7/16 (62)	4-3/16 (106)	4-15/16 (125)	5-3/16 (132)	7-3/16 (183)	N/A	N/A	9-3/4" (248)	N/A	1-15/16 (49)	N/A	N/A
1-1/4" 1552 - 1-1/4" 2552	1-1/4	1-1/2	9	6-5/8 (168)	2-9/16 (65)	5-3/8 (137)	6-3/16 (162)	6-3/8 (162)	7-1/4 (184)	N/A	N/A	9-3/4" (248)	N/A	1-7/8 (44)	N/A	N/A
1-1/2" 1551 - 1-1/2" 2551	1-1/2	2	7	5-3/8 (137)	2-1/2 (64)	4-5/16 (110)	5-1/8 (130)	5-3/8 (137)	7-5/16 (186)	N/A	N/A	9-3/4" (248)	N/A	1-13/16 (46)	N/A	N/A
1-1/2" 1552 - 1-1/2" 2552	1-1/2	2	9	6-3/4 (171)	2-5/8 (67)	5-1/2 (140)	6-5/16 (160)	6-9/16 (167)	7-3/8 (187)	8-3/8 (213)	11-1/4 (286)	9-3/4 (248)	10-3/4 (273)	1-3/4 (44)	3/4 (19)	2-1/8 (54)
1-1/2" 1553 - 1-1/2" 2553	1-1/2	2	11	9 (229)	2-13/16 (71)	6-1/8 (156)	7-1/16 (179)	7-1/4 (184)	7-9/16 (192)	N/A	11-7/16 (291)	9-3/4 (248)	N/A	1-1/2 (38)	N/A	2-3/8 (60)
1-1/2" 1554 - 1-1/2" 2554	1-1/2	2	12	7-3/4 (197)	2-3/4 (70)	7-1/16 (179)	8 (203)	8-1/4 (210)	7-5/8 (194)	8-5/8 (219)	11-1/2 (292)	10-1/2 (267)	10-3/4 (273)	1-1/2 (38)	1/2 (13)	2-3/8 (60)
PUMPS WITH ANSI 125 LB. FLANGED CONNECTIONS																
2" 1551 - 2" 2551	2	2-1/2	7	5-5/8 (143)	1-7/8 (48)	4-9/16 (116)	5-3/8 (137)	5-13/16 (148)	6-13/16 (173)	7-13/16 (198)	10-11/16 (271)	9-3/4 (248)	10-3/4 (273)	2-5/16 (59)	1-5/16 (33)	1-9/16 (40)
2" 1552 - 2" 2552	2	2-1/2	9	7 (178)	1-7/8 (48)	5-11/16 (144)	6-1/2 (165)	6-7/8 (175)	6-3/4 (171)	7-3/4 (197)	10-5/8 (270)	9-3/4 (248)	10-3/4 (273)	2-3/8 (60)	1-3/8 (35)	1-1/2 (38)
2" 1554 - 2" 2554	2	2-1/2	12	8 (203)	1-7/8 (48)	7-3/16 (183)	8-3/16 (208)	8-1/2 (216)	6-7/8 (175)	7-7/8 (200)	10-3/4 (273)	10-1/2 (267)	10-3/4 (273)	2-1/4 (57)	1-1/4 (32)	1-5/8 (41)
2" 1553 - 2" 2553	2	3	11	8 (203)	2-3/8 (60)	6-1/2 (165)	7 (178)	7-3/8 (187)	7-1/2 (191)	8-1/2 (216)	11-3/8 (289)	9-3/4 (248)	10-3/4 (273)	1-1/2 (38)	1/2 (13)	2-1/16 (52)
2-1/2" 1551 - 2-1/2" 2551	2-1/2	3	7	5-7/8 (149)	2 (51)	4-13/16 (122)	5-13/16 (148)	6-1/4 (159)	7-1/16 (179)	8-1/16 (205)	10-15/16 (278)	9-3/4 (248)	10-3/4 (273)	2-1/16 (52)	1-1/16 (27)	1-13/16 (46)
2-1/2" 1552 - 2-1/2" 2552	2-1/2	3	9	7-1/4 (184)	2 (51)	5-15/16 (151)	6-3/4 (171)	7-1/4 (184)	7 (178)	8 (203)	10-7/8 (276)	9-3/4 (248)	10-3/4 (273)	2-1/8 (54)	1-1/8 (29)	1-3/4 (44)
2-1/2" 1553 - 2-1/2" 2553	2-1/2	3	12	8-1/4 (210)	2 (51)	7-3/8 (187)	8-3/8 (213)	8-3/4 (222)	7-1/8 (181)	8-1/8 (206)	11 (279)	10-1/2 (267)	10-3/4 (273)	2 (51)	1 (25)	1-7/8 (48)
3" 1551 - 3" 2551	3	4	9	7-1/2 (191)	2-1/8 (54)	6-1/8 (156)	6-7/8 (175)	7-7/16 (189)	7-1/4 (184)	8-1/4 (210)	11-1/8 (283)	9-3/4 (248)	10-3/4 (273)	1-7/8 (48)	7/8 (22)	2 (51)
3" 1552 - 3" 2552	3	4	11	9 (229)	2-3/4 (70)	7 (178)	7-9/16 (192)	8-3/16 (208)	8-3/16 (208)	9-3/16 (233)	12-1/16 (306)	10-1/2 (267)	10-3/4 (273)	13/16 (20)	0	2-3/4 (70)
3" 1553 - 3" 2553	3	4	12	8-1/2 (216)	2-1/8 (54)	7-9/16 (192)	8-7/16 (214)	8-15/16 (227)	7-5/8 (194)	8-5/8 (219)	11-1/4 (286)	10-1/2 (267)	10-3/4 (273)	1-3/4 (44)	3/4 (19)	2-1/8 (54)
4" 1551 - 4" 2551	4	4	7	6-1/2 (165)	2-1/2 (64)	5-1/2 (140)	6-7/16 (164)	7-5/16 (186)	7-15/16 (202)	8-15/16 (227)	11-13/16 (300)	9-3/4 (248)	10-3/4 (273)	1-3/16 (30)	3/16 (4)	2-11/16 (68)
4" 1552A - 4" 2552A	4	5	9A	7-1/4 (184)	3-1/8 (79)	5-3/4 (146)	6-11/16 (170)	7-3/8 (187)	8-3/8 (213)	N/A	12-1/4 (311)	9-3/4 (248)	N/A	3/4 (19)	N/A	3-1/8 (79)
4" 1552B - 4" 2552B	4	5	9B	7-3/4 (197)	2-5/8 (67)	6-5/8 (168)	8-1/16 (205)	8-11/16 (221)	8 (203)	9 (229)	11-7/8 (302)	10-1/2 (267)	10-3/4 (273)	1-1/8 (29)	1/8 (3)	2-3/4 (70)
4" 1553 - 4" 2553	4	5	11	9 (229)	3 (76)	7-1/4 (184)	7-15/16 (202)	8-11/16 (221)	8-5/8 (219)	9-5/8 (244)	12-1/2 (318)	11-1/4 (286)	11-1/2 (292)	3/8 (10)	0	3-3/16 (81)
4" 1554 - 4" 2554	4	5	12	8-3/4 (222)	2-5/8 (67)	7-15/16 (202)	8-7/8 (225)	9-9/16 (243)	N/A	9-3/8 (238)	12 (305)	N/A	10-3/4 (273)	N/A	0	2-7/8 (73)
5" 1551 - 5" 2551	5	6	11	9 (229)	3-1/8 (79)	8-1/16 (205)	8-11/16 (221)	10-1/8 (257)	9-1/8 (232)	10-1/8 (257)	13 (330)	12-1/4 (311)	12-1/4 (311)	0	0	3-11/16 (94)
6" 1551 - 6" 2551	6	6	9	8-1/4 (210)	2-3/4 (70)	7 (178)	8 (203)	9 (229)	8-1/4 (210)	9-1/4 (235)	12-1/8 (308)	10-1/2 (267)	10-3/4 (273)	7/8 (22)	0	3 (76)

- NOTES:
- All dimensions in inches and (mm).
  - Dimensions may vary ± 1/4" (6).
  - Not for construction purposes unless certified.
  - N/A = Not Applicable.
  - Conduit box is shown in approximate location. Dimensions are not specified as they vary with each motor manufacturer.

**THIS PAGE LEFT INTENTIONALLY BLANK**