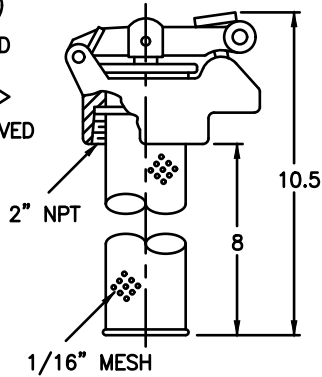
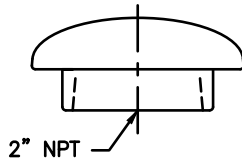


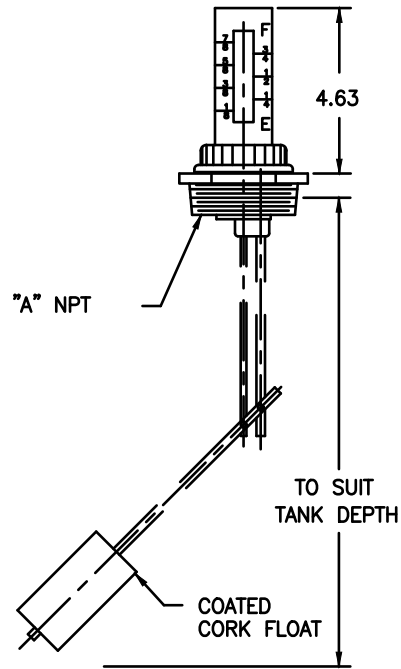
FAIRBANKS NIJHUIS FIRE PUMPS
 FITTINGS FOR DIESEL FUEL TANKS



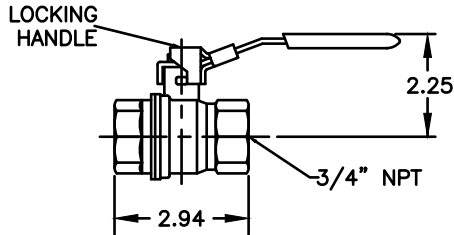
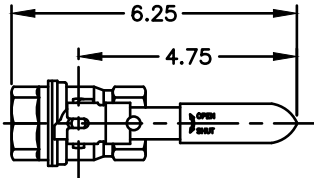
1. LOCKABLE FUEL CAP
 164 0192 644



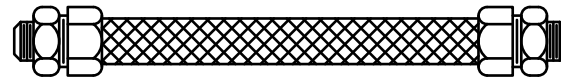
2. SCREENED TANK VENT
 164 0590 999



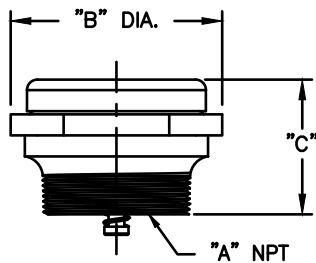
3. FUEL GAUGE
 366 0650 649 A=1 1/2 FOR 20.0, 21.0, 24.0, AND 24.5 DIA. TANKS
 366 0651 649 A=1 1/2 FOR 30.0, 31.0, 34.0, AND 35.0 DIA. TANKS
 366 0652 649 A=1 1/2 FOR 38.0, AND 39.0 DIA. TANKS
 366 0653 649 A=1 1/2 FOR 45.0, 48.0, AND 49.0 DIA. TANKS
 366 0684 649 A=2 FOR 60.0, 61.0, 64.0, AND 65.0 DIA. TANKS



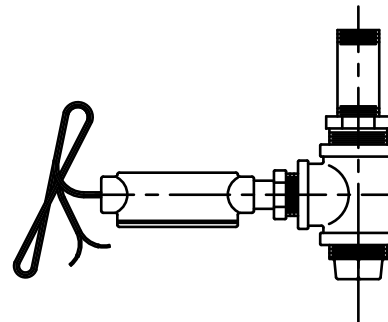
12. LOCKABLE FUEL VALVE
 896 4598 644



14. FLAME RESISTANT FLEXIBLE FUEL HOSE
 (2) FURNISHED BY ENGINE MANUFACTURER
 FOR SUPPLY AND RETURN LINES



19. EMERGENCY VENT
 164 0591 999 A=2" MALE, B=2.59, C=3.00
 164 0592 999 A=3" MALE, B=5.02, C=3.20
 164 0593 999 A=4" MALE, B=6.63, C=3.23
 164 0594 999 A=6" FEMALE, B=10.02, C=4.46



25. LEAK DETECTOR (DOUBLE WALL ONLY)
 032 1863 999

- NOTES:
1. ALL DIMENSIONS ARE IN INCHES AND MAY VARY ±.25"
 2. COMPONENTS SHOWN ARE SHIPPED LOOSE FOR FIELD ASSEMBLY.
 3. ILLUSTRATION IS FOR COMPONENT IDENTIFICATION ONLY. ACTUAL INSTALLATION MUST MEET LOCAL CODES AND ALL APPLICABLE STANDARDS.
 4. REFER TO SECITON 916 PAGE 255 THROUGH 258 FOR THE LOCATION AND APPLICABILITY OF EACH COMPONENT SHOWN ABOVE.