

**8312
PROPELLER
PUMPS
PERFORMANCE
SECTION**

8312 Propeller Pumps Performance

Table of Contents

Coverage Charts..... 005

1800 RPM

10" 8312, 1 Stage, 10" Column & Elbow	007
10" 8312, 2 Stages, 10" Column & Elbow	008
10" 8312, 1 Stage, 12" Column & Elbow	009
10" 8312, 2 Stages, 12" Column & Elbow	010
12" 8312, 1 Stage, 12" Column & Elbow	011
12" 8312, 2 Stages, 12" Column & Elbow	012
12" 8312, 1 Stage, 14" Column & Elbow	013
12" 8312, 2 Stages, 14" Column & Elbow	014

1200 RPM

10" 8312, 1 Stage, 10" Column & Elbow	015
10" 8312, 2 Stages, 10" Column & Elbow	016
10" 8312, 1 Stage, 12" Column & Elbow	017
10" 8312, 2 Stages, 12" Column & Elbow	018
12" 8312, 1 Stage, 12" Column & Elbow	019
12" 8312, 2 Stages, 12" Column & Elbow	020
12" 8312, 1 Stage, 14" Column & Elbow	021
12" 8312, 2 Stages, 14" Column & Elbow	022
14" 8312, 1 Stage, 14" Column & Elbow	023
14" 8312, 2 Stages, 14" Column & Elbow	024
14" 8312, 1 Stage, 16" Column & Elbow	025
14" 8312, 2 Stages, 16" Column & Elbow	026
16" 8312, 1 Stage, 16" Column & Elbow	027
16" 8312, 2 Stages, 16" Column & Elbow	028
16" 8312, 1 Stage, 20" Column & Elbow	029
16" 8312, 2 Stages, 20" Column & Elbow	030

900 RPM

10" 8312, 1 Stage, 10" Column & Elbow	031
10" 8312, 2 Stages, 10" Column & Elbow	032
10" 8312, 1 Stage, 12" Column & Elbow	033
10" 8312, 2 Stages, 12" Column & Elbow	034
12" 8312, 1 Stage, 12" Column & Elbow	035
12" 8312, 2 Stages, 12" Column & Elbow	036
12" 8312, 1 Stage, 14" Column & Elbow	037
12" 8312, 2 Stages, 14" Column & Elbow	038

14" 8312, 1 Stage, 14" Column & Elbow	039
14" 8312, 2 Stages, 14" Column & Elbow	040
14" 8312, 1 Stage, 16" Column & Elbow	041
14" 8312, 2 Stages, 16" Column & Elbow	042
16" 8312, 1 Stage, 16" Column & Elbow	043
16" 8312, 2 Stages, 16" Column & Elbow	044
16" 8312, 1 Stage, 20" Column & Elbow	045
16" 8312, 2 Stages, 20" Column & Elbow	046
20" 8312, 1 Stage, 20" Column & Elbow	047
20" 8312, 2 Stages, 20" Column & Elbow	048
20" 8312, 1 Stage, 24" Column & Elbow	049
20" 8312, 2 Stages, 24" Column & Elbow	050

720 RPM

14" 8312, 1 Stage, 14" Column & Elbow	051
14" 8312, 2 Stages, 14" Column & Elbow	052
14" 8312, 1 Stage, 16" Column & Elbow	053
14" 8312, 2 Stages, 16" Column & Elbow	054
16" 8312, 1 Stage, 16" Column & Elbow	055
16" 8312, 2 Stages, 16" Column & Elbow	056
16" 8312, 1 Stage, 20" Column & Elbow	057
16" 8312, 2 Stages, 20" Column & Elbow	058
20" 8312, 1 Stage, 20" Column & Elbow	059
20" 8312, 2 Stages, 20" Column & Elbow	060
20" 8312, 1 Stage, 24" Column & Elbow	061
20" 8312, 2 Stages, 24" Column & Elbow	062
24" 8312, 1 Stage, 24" Column & Elbow	063
24" 8312, 2 Stages, 24" Column & Elbow	064
24" 8312, 1 Stage, 30" Column & Elbow	065
24" 8312, 2 Stages, 30" Column & Elbow	066

Table of Contents *(Continued)*

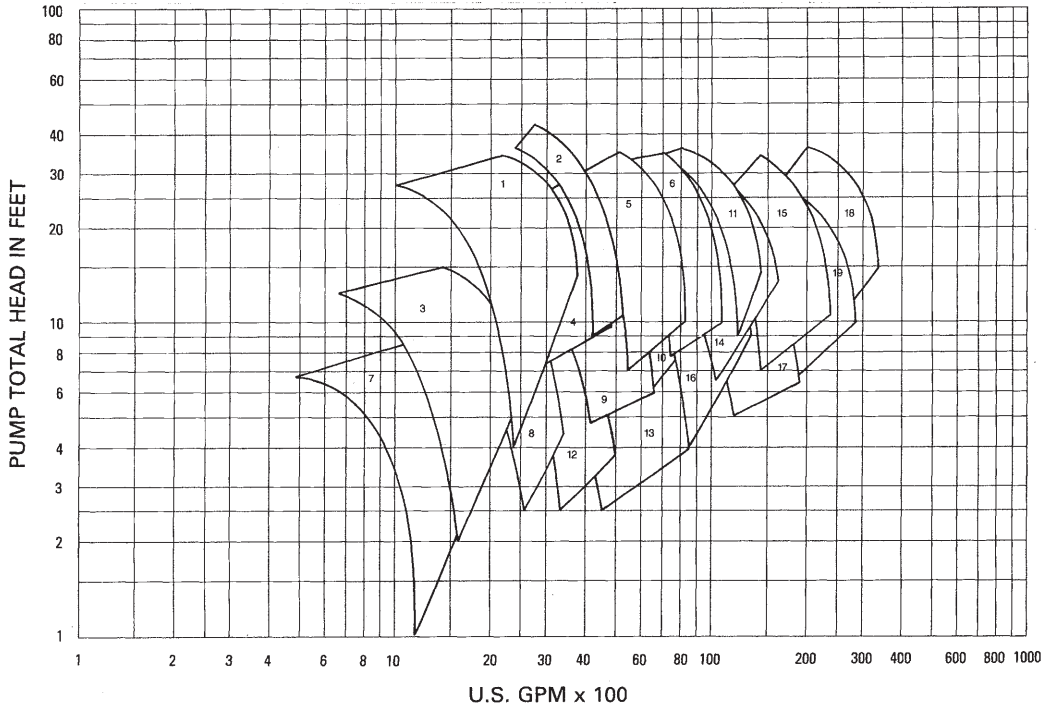
600 RPM

20" 8312, 1 Stage, 20" Column & Elbow	067
20" 8312, 2 Stages, 20" Column & Elbow	068
20" 8312, 1 Stage, 24" Column & Elbow	069
20" 8312, 2 Stages, 24" Column & Elbow	070
24" 8312, 1 Stage, 24" Column & Elbow	071
24" 8312, 2 Stages, 24" Column & Elbow	072
24" 8312, 1 Stage, 30" Column & Elbow	073
24" 8312, 2 Stages, 30" Column & Elbow	074
30" 8312, 1 Stage, 30" Column & Elbow	075
30" 8312, 2 Stages, 30" Column & Elbow	076
30" 8312, 1 Stage, 36" Column & Elbow	077
30" 8312, 2 Stages, 36" Column & Elbow	078

514 RPM

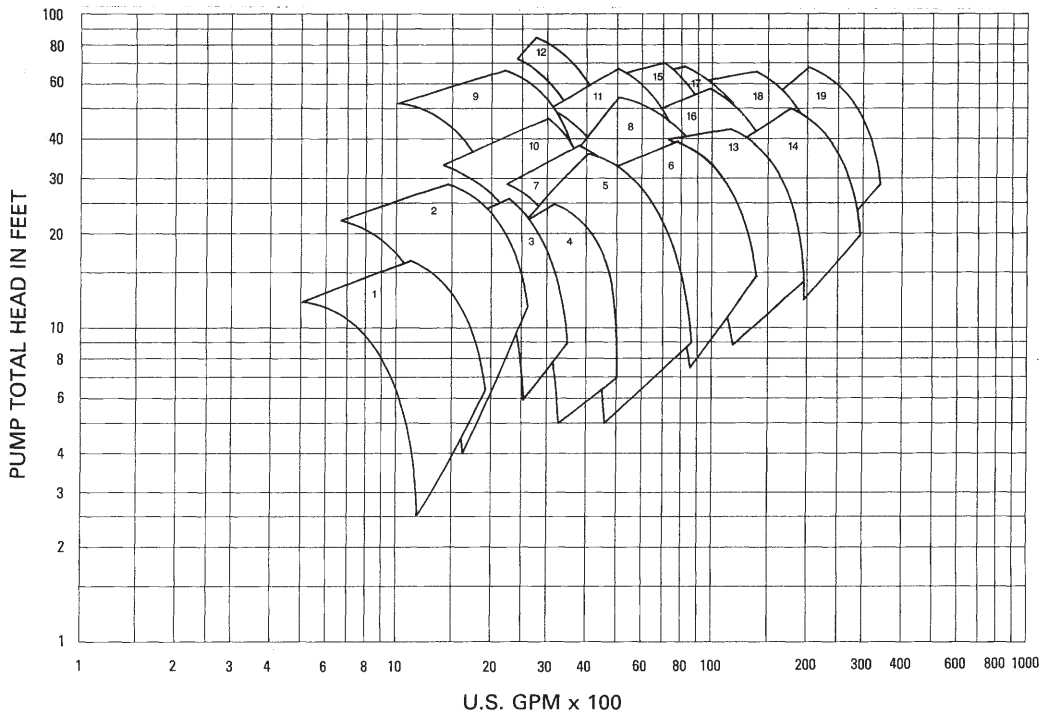
30" 8312, 1 Stage, 30" Column & Elbow	079
30" 8312, 2 Stages, 30" Column & Elbow	080
30" 8312, 1 Stage, 36" Column & Elbow	081
30" 8312, 2 Stages, 36" Column & Elbow	082

THIS PAGE LEFT BLANK INTENTIONALLY



**8312
1
STAGE**

- 1. 10"-1770
- 2. 12"-1770
- 3. 10"-1170
- 4. 12"-1170
- 5. 14"-1170
- 6. 16"-1170
- 7. 10"- 880
- 8. 12"- 880
- 9. 14"- 880
- 10. 16"- 880
- 11. 20"- 880
- 12. 14"- 705
- 13. 16"- 705
- 14. 20"- 705
- 15. 24"- 705
- 16. 20"- 580
- 17. 24"- 580
- 18. 30"- 580
- 19. 30"- 500

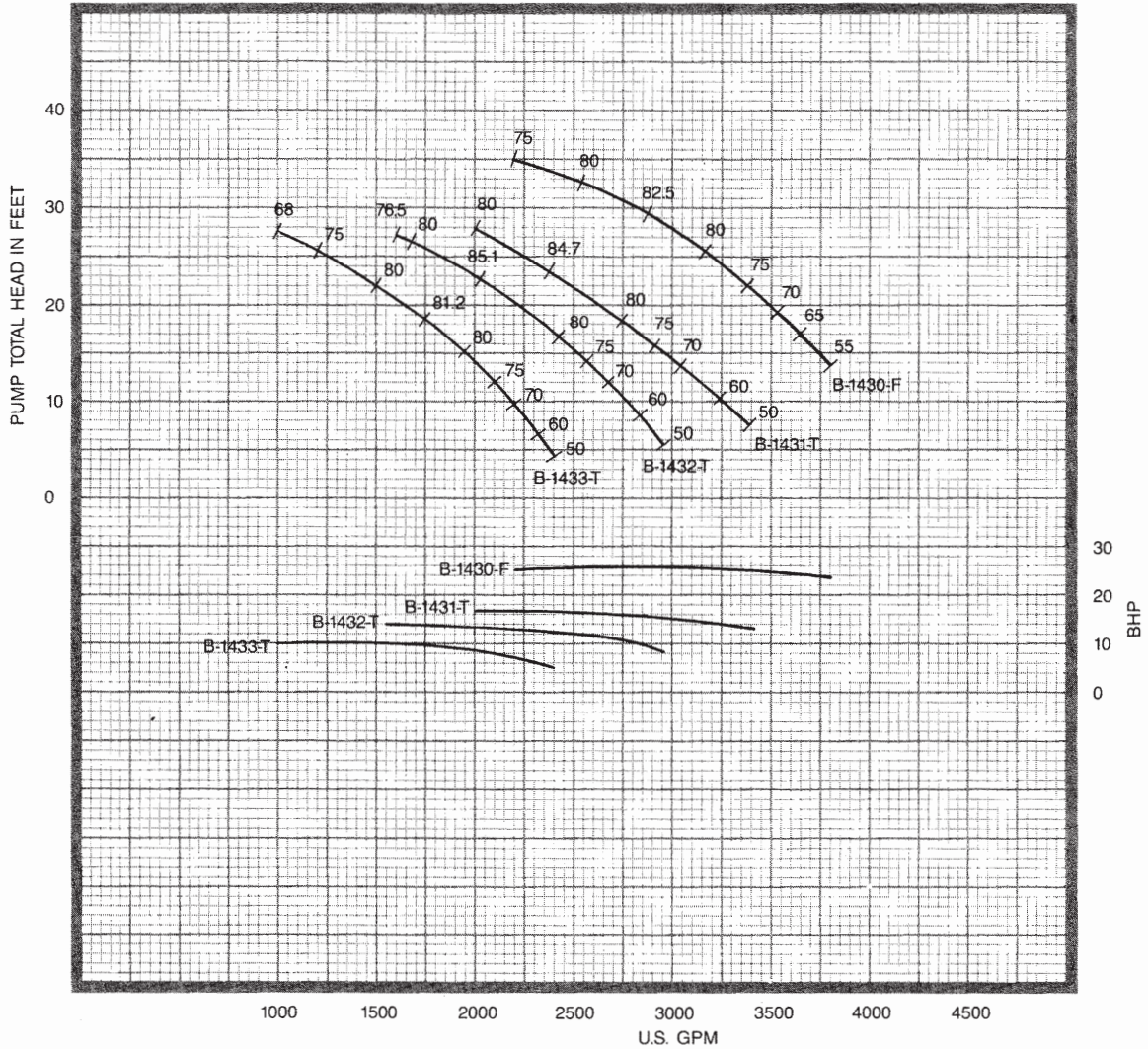


**8312
2
STAGE**

- 1. 10"- 880
- 2. 10"-1170
- 3. 12"- 880
- 4. 14"- 705
- 5. 16"- 705
- 6. 20"- 580
- 7. 14"- 880
- 8. 16"- 880
- 9. 10"-1170
- 10. 12"-1170
- 11. 14"-1170
- 12. 12"-1770
- 13. 24"- 580
- 14. 30"- 500
- 15. 16"-1170
- 16. 20"- 705
- 17. 20"- 880
- 18. 24"- 705
- 19. 30"- 580

Hydraulic performance is contingent upon furnishing pump with specified amount of clear, fresh, non-aerated water not to exceed 85° F.

THIS PAGE LEFT BLANK INTENTIONALLY



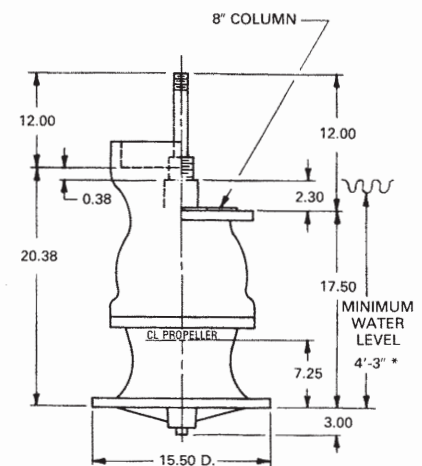
10"
8312
1770
RPM
1
STAGE

10"
COLUMN
10"
CAST IRON
ELBOW
1"
LINESHAFT
1-1/2"
ENCLOSING
TUBE

DATA	VALUE
PUMP SHAFT DIAMETER	1.1875 IN.
MAXIMUM SPHERE SIZE	1.5 IN.
K _t (THRUST FACTOR)	20 LBS./FT.
K _a (TOTAL ROTOR WEIGHT)	17 LBS.
K _s (SETTING CONSTANT)	2.8 LBS./FT.
WK ²	1.1 LBS.-FT. ²
BOWL ASSEMBLY WEIGHT	265 LBS.
EYE AREA: PROPELLER NO. B-1430-F	41.0 SQ. IN. 4 VANE
PROPELLER NO. B-1431-T	41.0 SQ. IN. 3 VANE
PROPELLER NO. B-1432-T	41.0 SQ. IN. 3 VANE
PROPELLER NO. B-1433-T	41.0 SQ. IN. 3 VANE
PROPELLER NO.	
PROPELLER NO.	

HYDRAULIC PERFORMANCE IS CONTINGENT ON FURNISHING THE PUMP WITH SPECIFIED AMOUNT OF CLEAR, FRESH, NON-AERATED WATER NOT TO EXCEED 85° F.

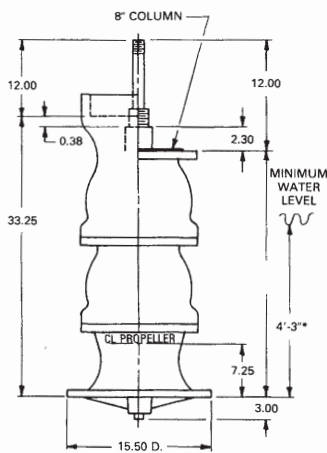
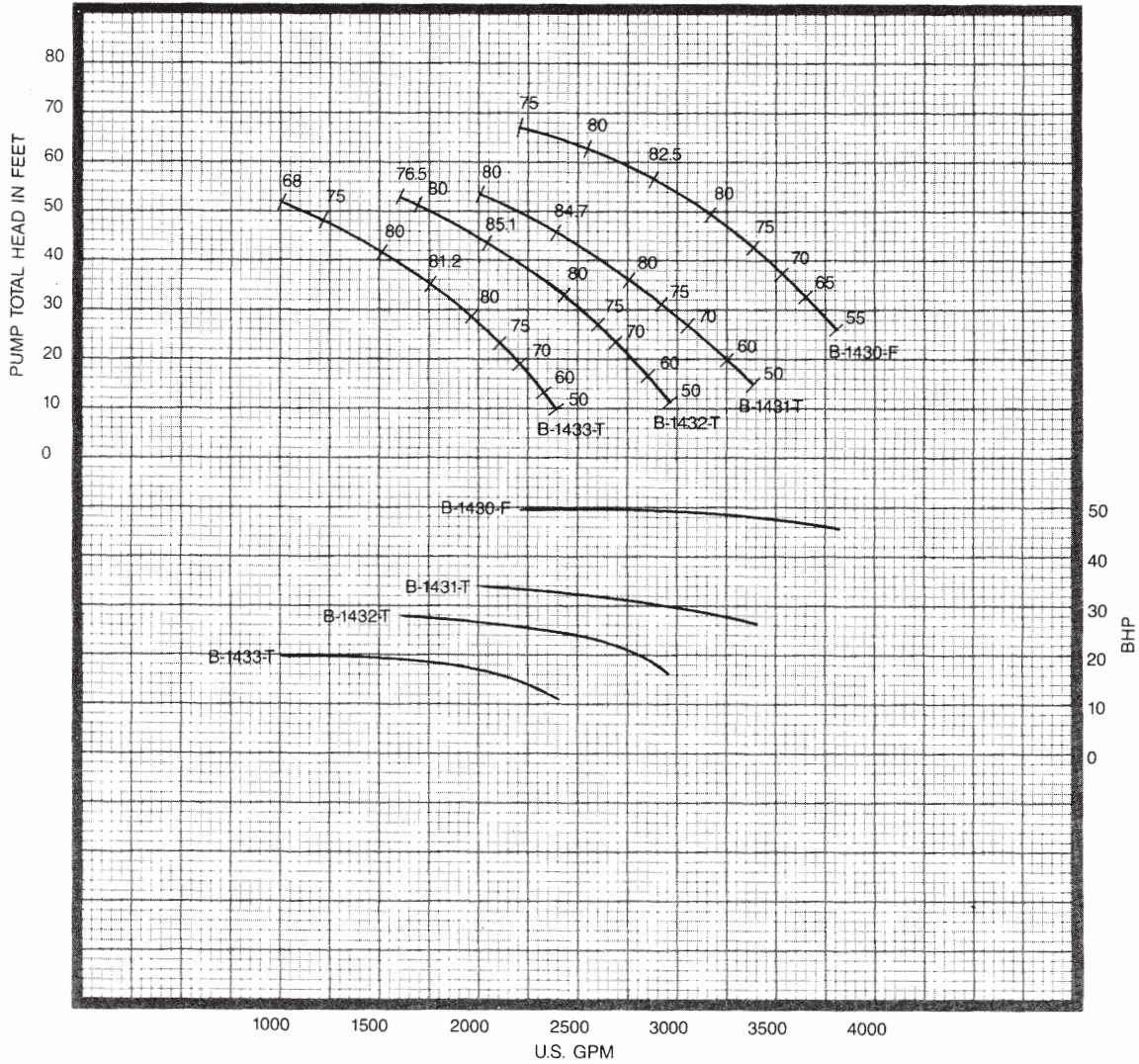
PUMP PERFORMANCE SHOWN IS BOWL ASSEMBLY WITH 10 FEET OF COLUMN INCLUDING A STANDARD ABOVE GROUND DISCHARGE ELBOW. ADDITIONAL COLUMN LOSSES SHOULD BE ADDED WHEN SETTINGS ARE DEEPER THAN 10 FEET AND/OR FOR OTHER DISCHARGE ARRANGEMENTS.



*This value is the minimum submergence required to prevent vortexing only. This value may need to be increased to provide adequate NPSHA.

10"
8312
1770
RPM
2
STAGE

10"
COLUMN
10"
CAST IRON
ELBOW
1-1/4"
LINESHAFT
2"
ENCLOSING
TUBE

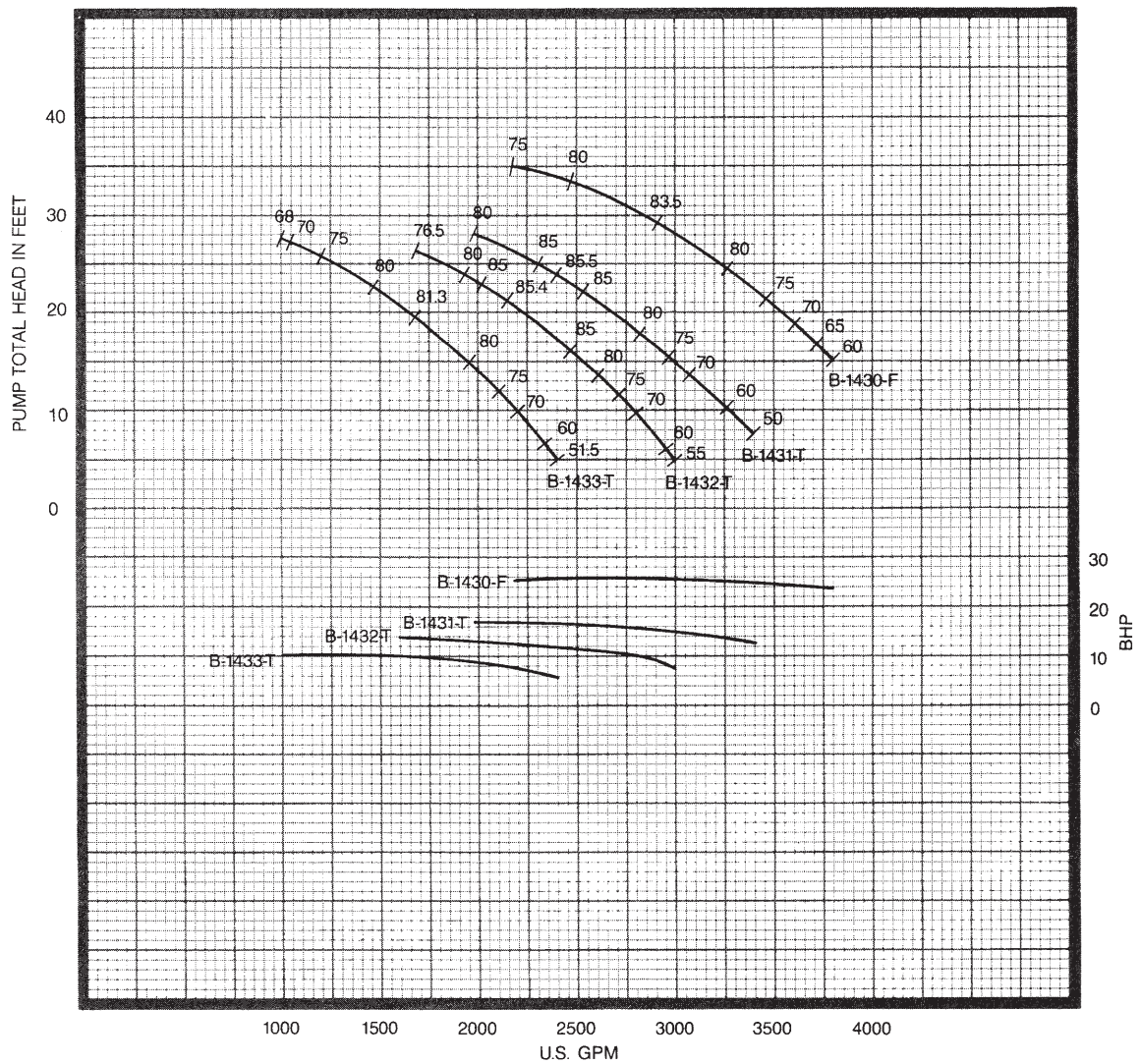


DATA	VALUE
PUMP SHAFT DIAMETER	1.1875 IN.
MAXIMUM SPHERE SIZE	1.5 IN.
K _t (THRUST FACTOR)	20 LBS./FT.
K _a (TOTAL ROTOR WEIGHT)	34 LBS.
K _s (SETTING CONSTANT)	3.8 LBS./FT.
WK ²	2.2 LBS.-FT. ²
BOWL ASSEMBLY WEIGHT	385 LBS.
EYE AREA: PROPELLER NO. B-1430-F	41.0 SQ. IN. 4 VANE
PROPELLER NO. B-1431-T	41.0 SQ. IN. 3 VANE
PROPELLER NO. B-1432-T	41.0 SQ. IN. 3 VANE
PROPELLER NO. B-1433-T	41.0 SQ. IN. 3 VANE
PROPELLER NO.	
PROPELLER NO.	

HYDRAULIC PERFORMANCE IS CONTINGENT ON FURNISHING THE PUMP WITH SPECIFIED AMOUNT OF CLEAR, FRESH, NON-AERATED WATER NOT TO EXCEED 85° F.

PUMP PERFORMANCE SHOWN IS BOWL ASSEMBLY WITH 10 FEET OF COLUMN INCLUDING A STANDARD ABOVE GROUND DISCHARGE ELBOW. ADDITIONAL COLUMN LOSSES SHOULD BE ADDED WHEN SETTINGS ARE DEEPER THAN 10 FEET AND/OR FOR OTHER DISCHARGE ARRANGEMENTS.

*This value is the minimum submergence required to prevent vortexing only. This value may need to be increased to provide adequate NPSHA.



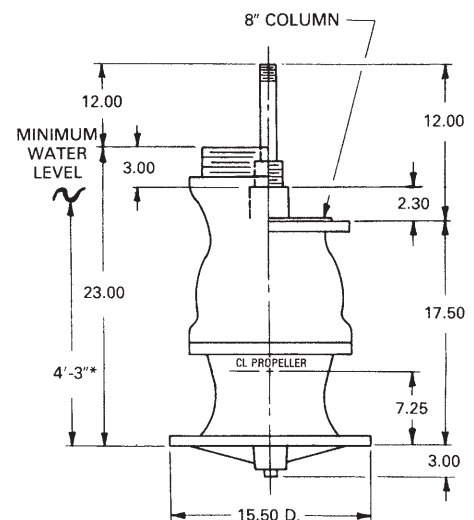
10"
8312
1770
RPM
1
STAGE

12"
COLUMN
12"
CAST IRON
ELBOW
1"
LINESHAFT
1-1/2"
ENCLOSING
TUBE

DATA	VALUE
PUMP SHAFT DIAMETER	1.1875 IN.
MAXIMUM SPHERE SIZE	1.5 IN.
K _t (THRUST FACTOR)	20 LBS./FT.
K _a (TOTAL ROTOR WEIGHT)	17 LBS.
K _s (SETTING CONSTANT)	2.8 LBS./FT.
WK ²	1.1 LBS.-FT. ²
BOWL ASSEMBLY WEIGHT	325 LBS.
EYE AREA: PROPELLER NO. B-1430-F	41.0 SQ. IN. 4 VANE
PROPELLER NO. B-1431-T	41.0 SQ. IN. 3 VANE
PROPELLER NO. B-1432-T	41.0 SQ. IN. 3 VANE
PROPELLER NO. B-1433-T	41.0 SQ. IN. 3 VANE
PROPELLER NO.	
PROPELLER NO.	

HYDRAULIC PERFORMANCE IS CONTINGENT ON FURNISHING THE PUMP WITH SPECIFIED AMOUNT OF CLEAR, FRESH, NON-AERATED WATER NOT TO EXCEED 85° F.

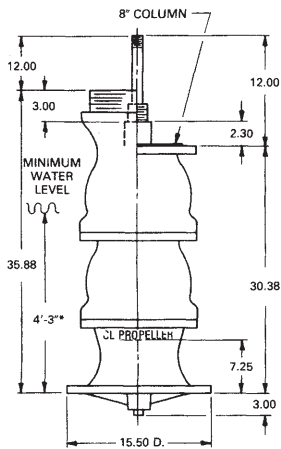
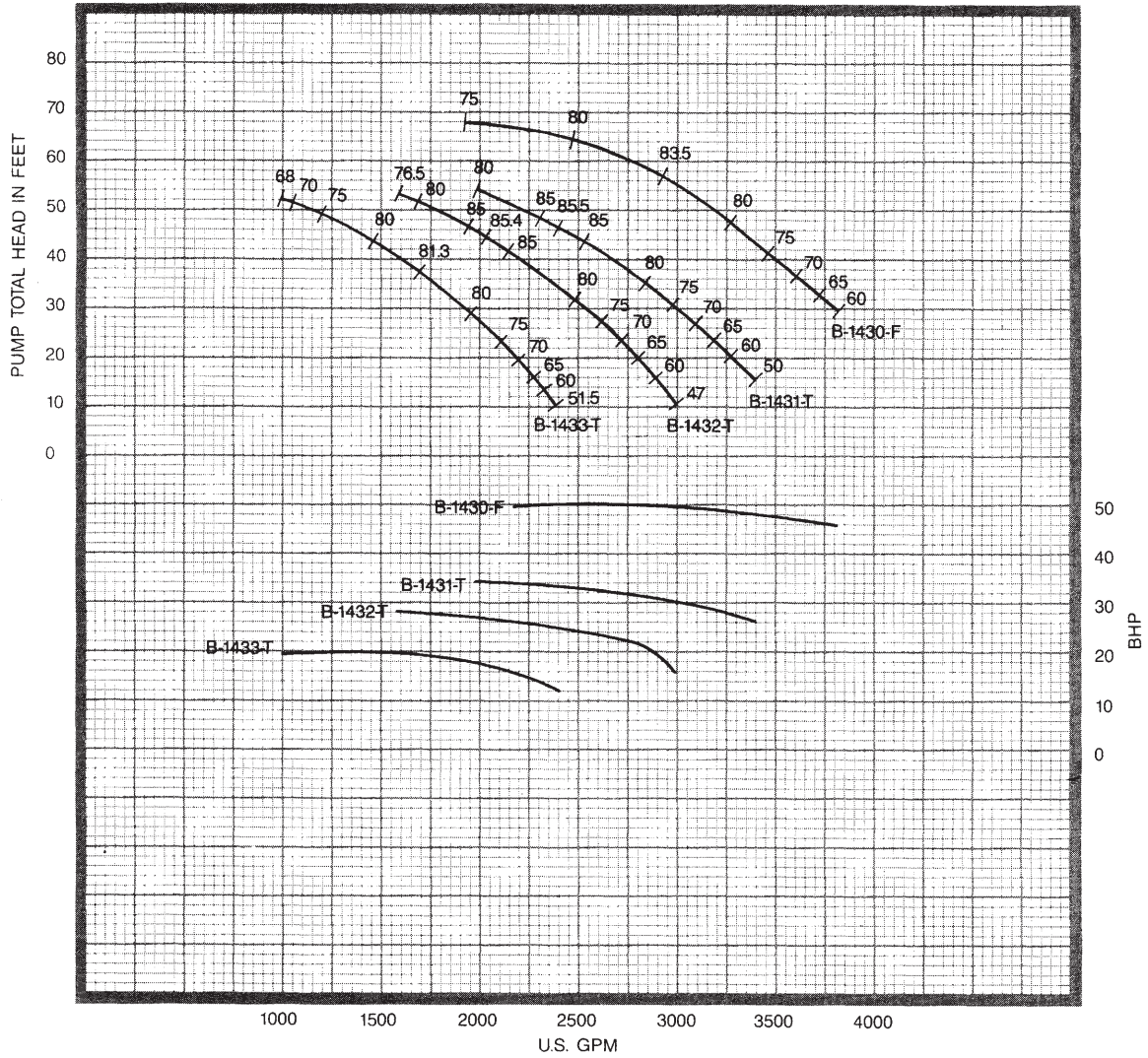
PUMP PERFORMANCE SHOWN IS BOWL ASSEMBLY WITH 10 FEET OF COLUMN INCLUDING A STANDARD ABOVE GROUND DISCHARGE ELBOW. ADDITIONAL COLUMN LOSSES SHOULD BE ADDED WHEN SETTINGS ARE DEEPER THAN 10 FEET AND/OR FOR OTHER DISCHARGE ARRANGEMENTS.



*This value is the minimum submergence required to prevent vortexing only. This value may need to be increased to provide adequate NPSHA.

10"
8312
1770
RPM
2
STAGE

12"
COLUMN
12"
CAST IRON
ELBOW
1-1/4"
LINESHAFT
2"
ENCLOSING
TUBE

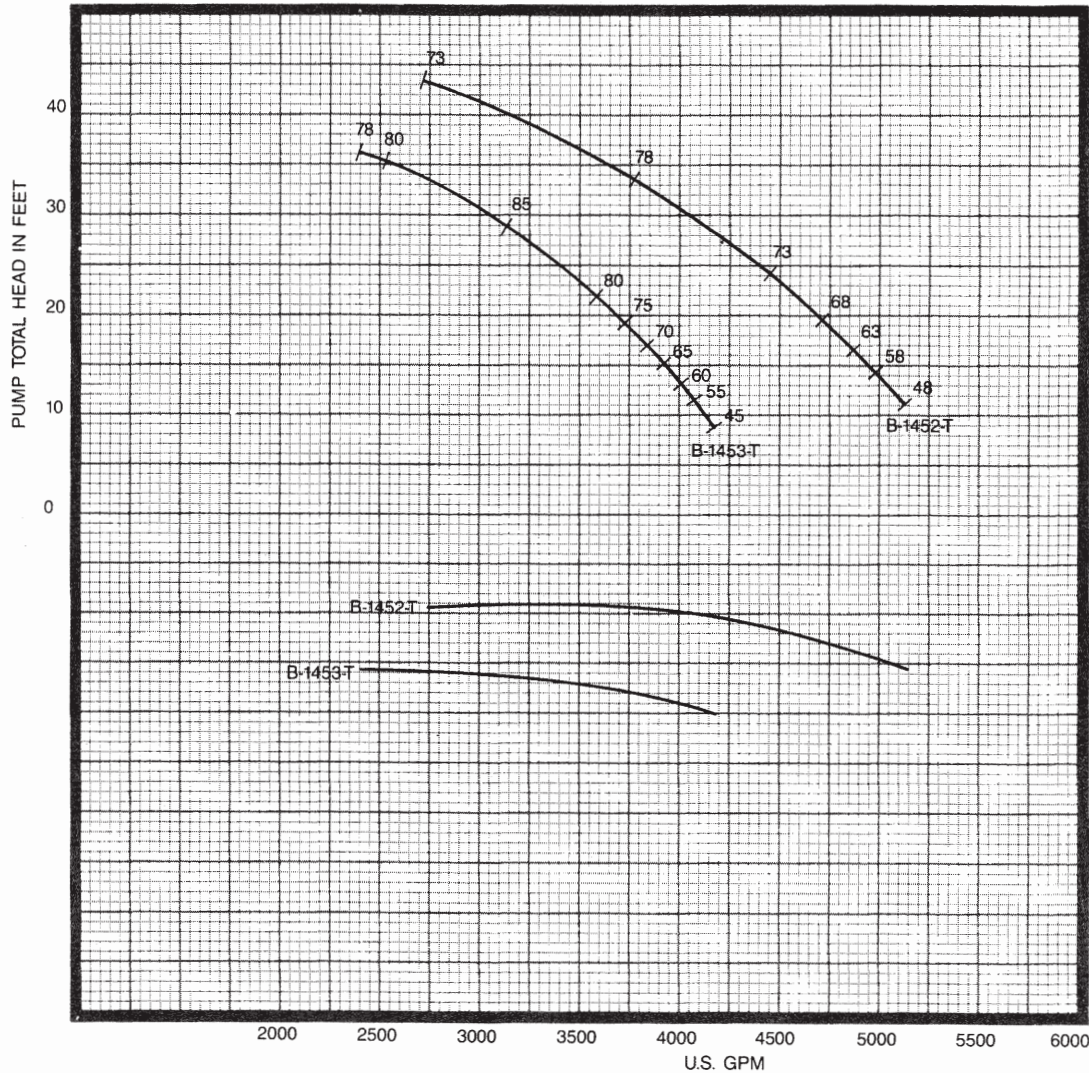


DATA	VALUE
PUMP SHAFT DIAMETER	1.1875 IN.
MAXIMUM SPHERE SIZE	1.5 IN.
Kt (THRUST FACTOR)	20 LBS./FT.
Ka (TOTAL ROTOR WEIGHT)	34 LBS.
Ks (SETTING CONSTANT)	3.8 LBS./FT.
WK ²	2.2 LBS.-FT. ²
BOWL ASSEMBLY WEIGHT	445 LBS.
EYE AREA: PROPELLER NO. B-1430-F	41.0 SQ. IN. 4 VANE
PROPELLER NO. B-1431-T	41.0 SQ. IN. 3 VANE
PROPELLER NO. B-1432-T	41.0 SQ. IN. 3 VANE
PROPELLER NO. B-1433-T	41.0 SQ. IN. 3 VANE
PROPELLER NO.	
PROPELLER NO.	

HYDRAULIC PERFORMANCE IS CONTINGENT ON FURNISHING THE PUMP WITH SPECIFIED AMOUNT OF CLEAR, FRESH, NON-AERATED WATER NOT TO EXCEED 85° F.

PUMP PERFORMANCE SHOWN IS BOWL ASSEMBLY WITH 10 FEET OF COLUMN INCLUDING A STANDARD ABOVE GROUND DISCHARGE ELBOW. ADDITIONAL COLUMN LOSSES SHOULD BE ADDED WHEN SETTINGS ARE DEEPER THAN 10 FEET AND/OR FOR OTHER DISCHARGE ARRANGEMENTS.

*This value is the minimum submergence required to prevent vortexing only. This value may need to be increased to provide adequate NPSHA.



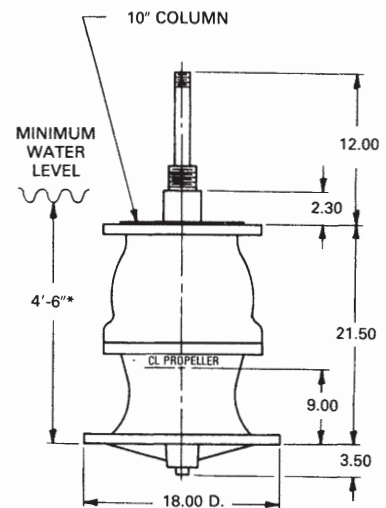
12"
8312
1770
RPM
1
STAGE

12"
COLUMN
12"
CAST IRON
ELBOW
1"
LINESHAFT
1-1/2"
ENCLOSING
TUBE

DATA	VALUE
PUMP SHAFT DIAMETER	1.4375 IN.
MAXIMUM SPHERE SIZE	1.88 IN.
K _t (THRUST FACTOR)	31 LBS./FT.
K _a (TOTAL ROTOR WEIGHT)	28 LBS.
K _s (SETTING CONSTANT)	2.8 LBS./FT.
WK ²	3.1 LBS.-FT. ²
BOWL ASSEMBLY WEIGHT	430 LBS.
EYE AREA: PROPELLER NO. B-1452-T	63.0 SQ. IN. 3 VANE
PROPELLER NO. B-1453-T	63.0 SQ. IN. 3 VANE
PROPELLER NO.	
PROPELLER NO.	
PROPELLER NO.	
PROPELLER NO.	

HYDRAULIC PERFORMANCE IS CONTINGENT ON FURNISHING THE PUMP WITH SPECIFIED AMOUNT OF CLEAR, FRESH, NON-AERATED WATER NOT TO EXCEED 85° F.

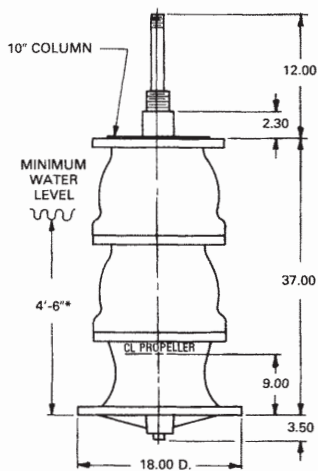
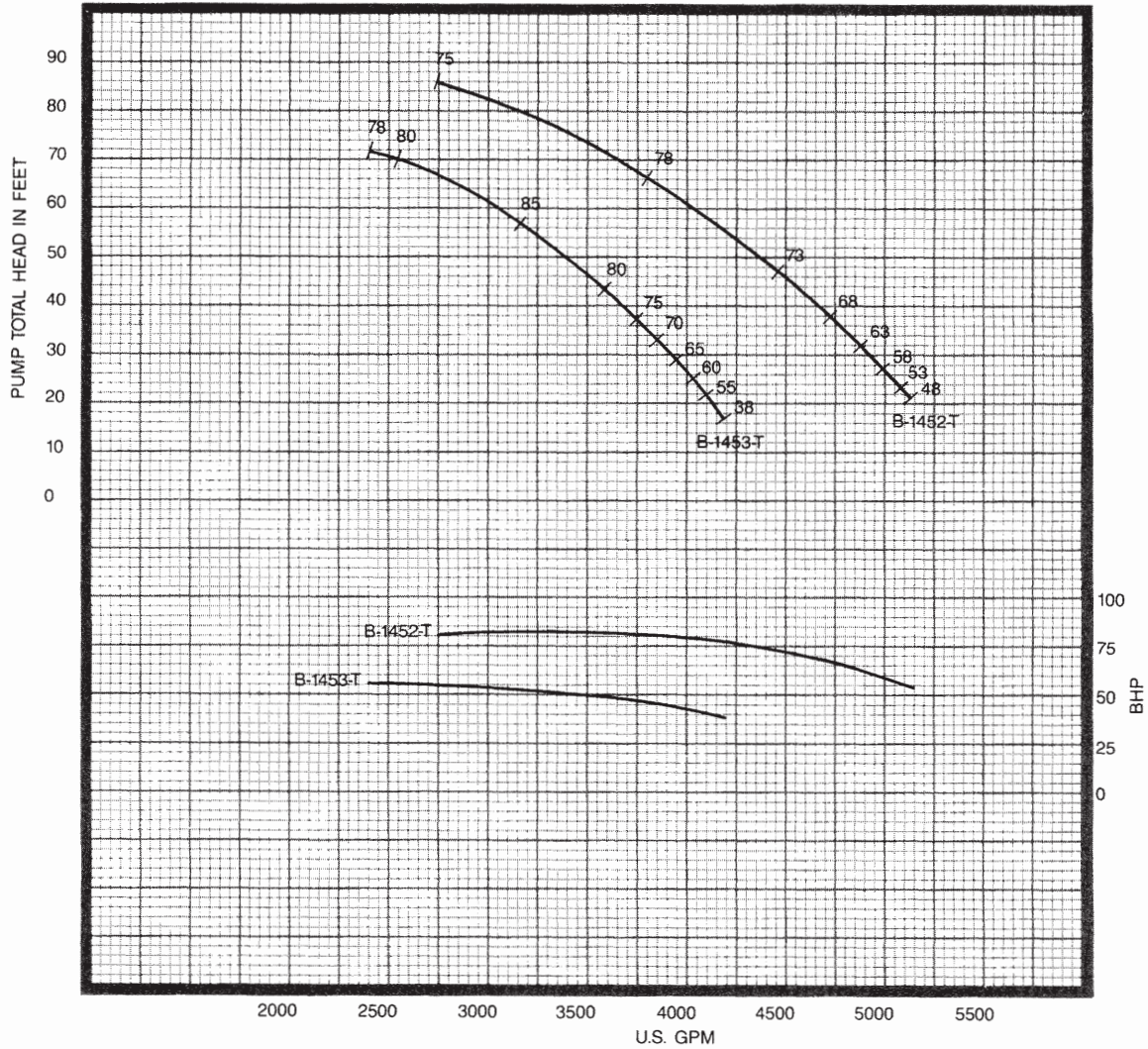
PUMP PERFORMANCE SHOWN IS BOWL ASSEMBLY WITH 10 FEET OF COLUMN INCLUDING A STANDARD ABOVE GROUND DISCHARGE ELBOW. ADDITIONAL COLUMN LOSSES SHOULD BE ADDED WHEN SETTINGS ARE DEEPER THAN 10 FEET AND/OR FOR OTHER DISCHARGE ARRANGEMENTS.



*This value is the minimum submergence required to prevent vortexing only. This value may need to be increased to provide adequate NPSHA.

12"
8312
1770
RPM
2
STAGE

12" COLUMN
12" CAST IRON ELBOW
1-1/4" LINESHAFT
2" ENCLOSING TUBE

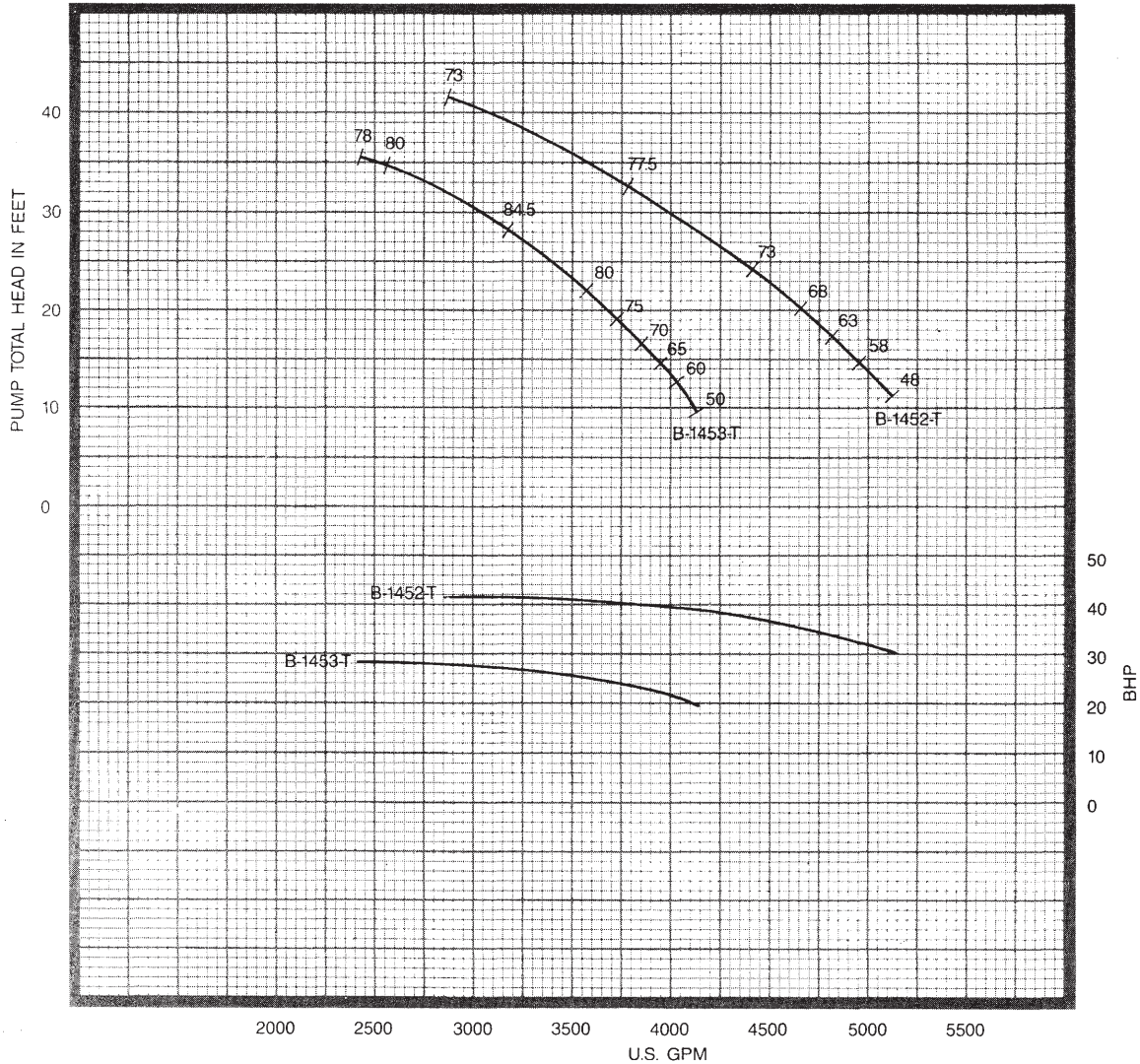


DATA	VALUE
PUMP SHAFT DIAMETER	1.4375 IN.
MAXIMUM SPHERE SIZE	1.88 IN.
K _t (THRUST FACTOR)	31 LBS./FT.
K _a (TOTAL ROTOR WEIGHT)	56 LBS.
K _s (SETTING CONSTANT)	3.8 LBS./FT.
WK ²	6.2 LBS.-FT. ²
BOWL ASSEMBLY WEIGHT	650 LBS.
EYE AREA: PROPELLER NO. B-1452-T	63.0 SQ. IN. 3 VANE
PROPELLER NO. B-1453-T	63.0 SQ. IN. 3 VANE
PROPELLER NO.	
PROPELLER NO.	
PROPELLER NO.	

HYDRAULIC PERFORMANCE IS CONTINGENT ON FURNISHING THE PUMP WITH SPECIFIED AMOUNT OF CLEAR, FRESH, NON-AERATED WATER NOT TO EXCEED 85° F.

PUMP PERFORMANCE SHOWN IS BOWL ASSEMBLY WITH 10 FEET OF COLUMN INCLUDING A STANDARD ABOVE GROUND DISCHARGE ELBOW. ADDITIONAL COLUMN LOSSES SHOULD BE ADDED WHEN SETTINGS ARE DEEPER THAN 10 FEET AND/OR FOR OTHER DISCHARGE ARRANGEMENTS.

*This value is the minimum submergence required to prevent vortexing only. This value may need to be increased to provide adequate NPSHA.



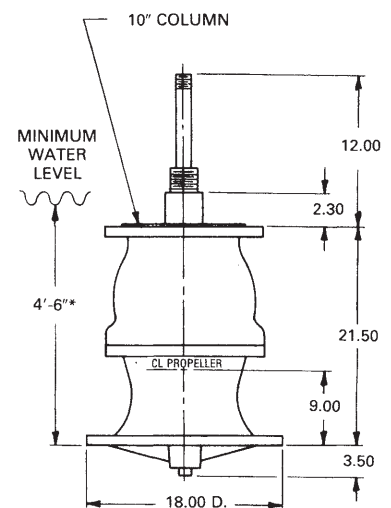
12"
8312
1770
RPM
1
STAGE

14"
COLUMN
14"
CAST IRON
ELBOW
1"
LINESHAFT
1-1/2"
ENCLOSING
TUBE

DATA	VALUE
PUMP SHAFT DIAMETER	1.4375 IN.
MAXIMUM SPHERE SIZE	1.88 IN.
K _t (THRUST FACTOR)	31 LBS./FT.
K _a (TOTAL ROTOR WEIGHT)	28 LBS.
K _s (SETTING CONSTANT)	2.8 LBS./FT.
WK ²	3.1 LBS.-FT. ²
BOWL ASSEMBLY WEIGHT	430 LBS.
EYE AREA: PROPELLER NO. B-1452-T	63.0 SQ. IN. 3 VANE
PROPELLER NO. B-1453-T	63.0 SQ. IN. 3 VANE
PROPELLER NO.	
PROPELLER NO.	
PROPELLER NO.	
PROPELLER NO.	

HYDRAULIC PERFORMANCE IS CONTINGENT ON FURNISHING THE PUMP WITH SPECIFIED AMOUNT OF CLEAR, FRESH, NON-AERATED WATER NOT TO EXCEED 85° F.

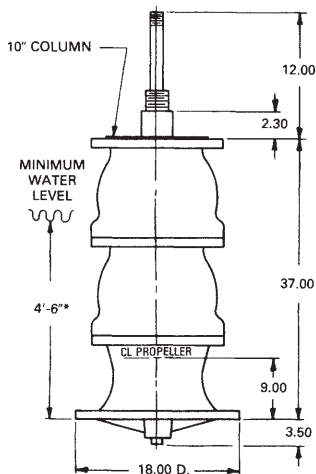
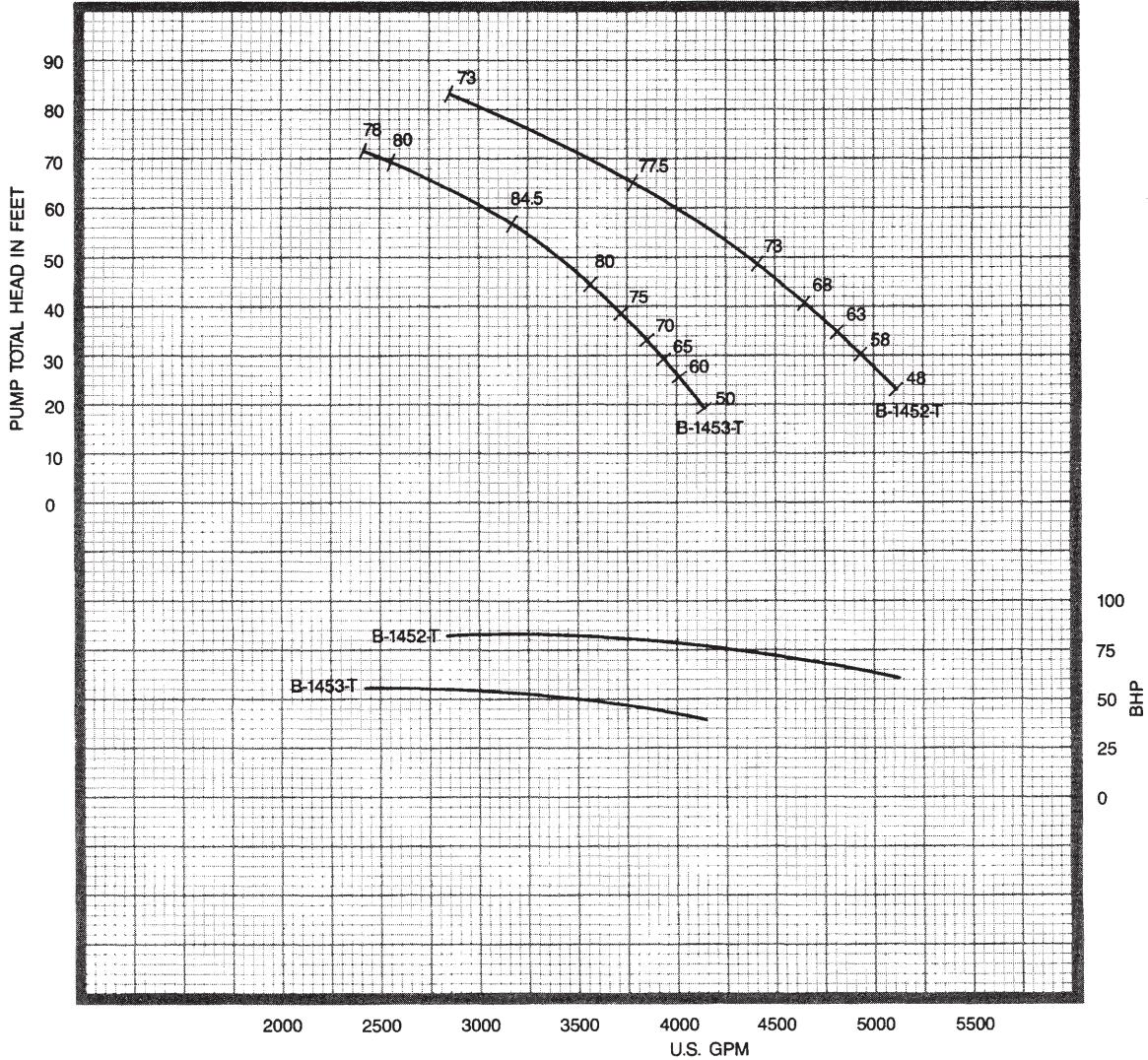
PUMP PERFORMANCE SHOWN IS BOWL ASSEMBLY WITH 10 FEET OF COLUMN INCLUDING A STANDARD ABOVE GROUND DISCHARGE ELBOW. ADDITIONAL COLUMN LOSSES SHOULD BE ADDED WHEN SETTINGS ARE DEEPER THAN 10 FEET AND/OR FOR OTHER DISCHARGE ARRANGEMENTS.



*This value is the minimum submergence required to prevent vortexing only. This value may need to be increased to provide adequate NPSHA.

12"
8312
1770
RPM
2
STAGE

14"
COLUMN
14"
CAST IRON
ELBOW
1-1/4"
LINESHAFT
2"
ENCLOSING
TUBE

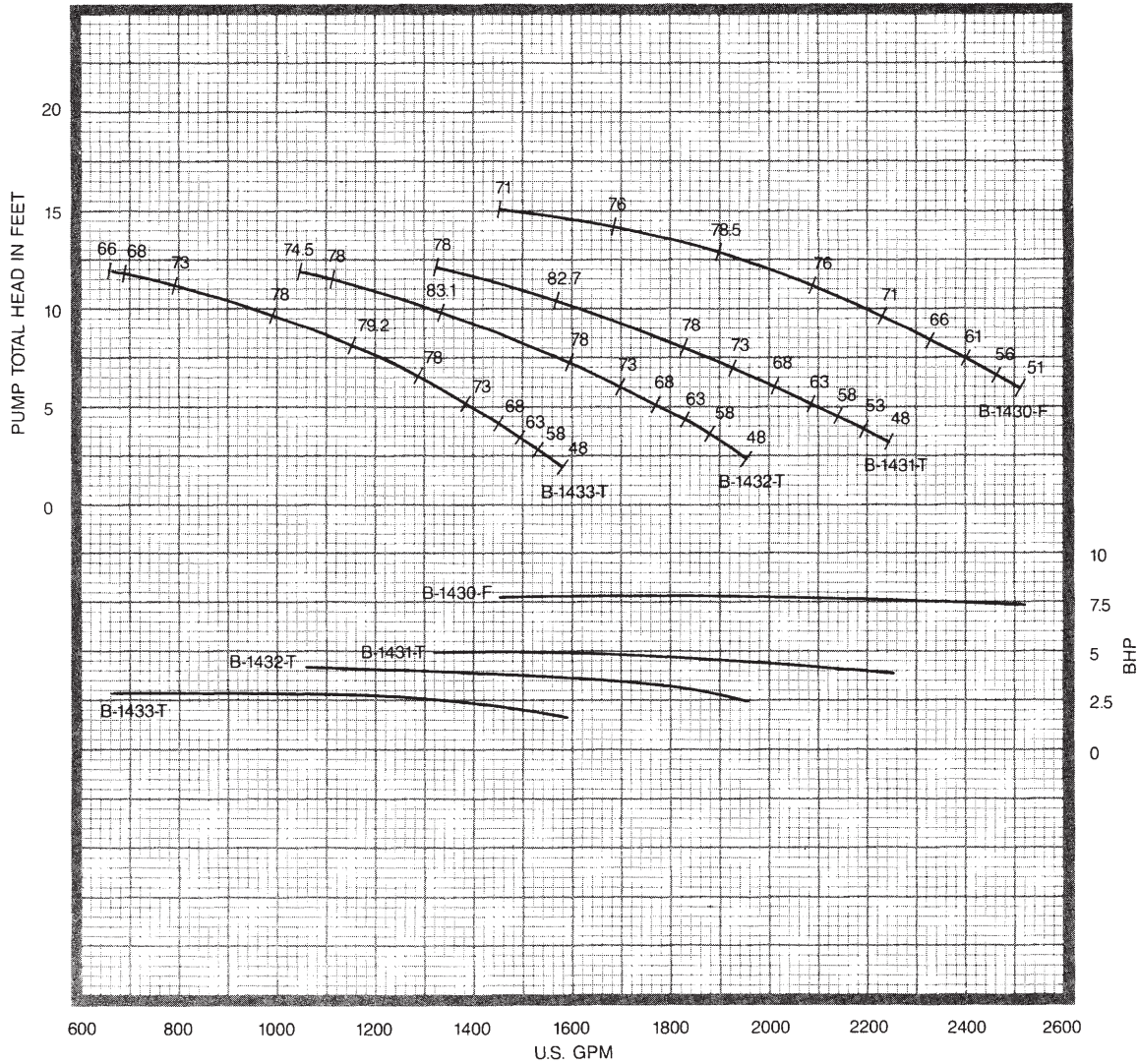


DATA	VALUE
PUMP SHAFT DIAMETER	1.4375 IN.
MAXIMUM SPHERE SIZE	1.88 IN.
K _t (THRUST FACTOR)	31 LBS./FT.
K _a (TOTAL ROTOR WEIGHT)	56LBS.
K _s (SETTING CONSTANT)	3.8 LBS./FT.
WK ²	6.2 LBS./FT. ²
BOWL ASSEMBLY WEIGHT	650 LBS.
EYE AREA: PROPELLER NO. B-1452-T	63.0 SQ. IN. 3 VANE
PROPELLER NO. B-1453-T	63.0 SQ. IN. 3 VANE
PROPELLER NO.	
PROPELLER NO.	
PROPELLER NO.	
PROPELLER NO.	

HYDRAULIC PERFORMANCE IS CONTINGENT ON FURNISHING THE PUMP WITH SPECIFIED AMOUNT OF CLEAR, FRESH, NON-AERATED WATER NOT TO EXCEED 85° F.

PUMP PERFORMANCE SHOWN IS BOWL ASSEMBLY WITH 10 FEET OF COLUMN INCLUDING A STANDARD ABOVE GROUND DISCHARGE ELBOW. ADDITIONAL COLUMN LOSSES SHOULD BE ADDED WHEN SETTINGS ARE DEEPER THAN 10 FEET AND/OR FOR OTHER DISCHARGE ARRANGEMENTS.

*This value is the minimum submergence required to prevent vortexing only. This value may need to be increased to provide adequate NPSHA.

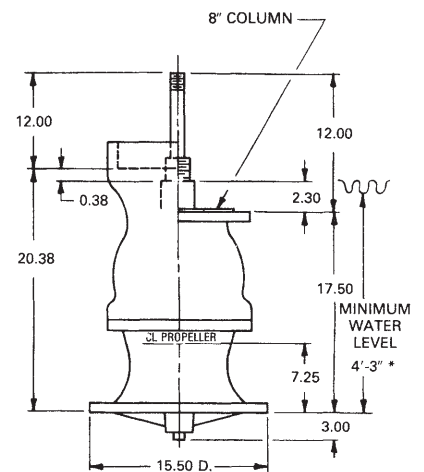


10"
8312
1170
RPM
1
STAGE
10"
COLUMN
10"
CAST IRON
ELBOW
1"
LINESHAFT
1-1/2"
ENCLOSING
TUBE

DATA	VALUE
PUMP SHAFT DIAMETER	1.1875 IN.
MAXIMUM SPHERE SIZE	1.5 IN.
K _t (THRUST FACTOR)	20 LBS./FT.
K _a (TOTAL ROTOR WEIGHT)	17 LBS.
K _s (SETTING CONSTANT)	2.8 LBS./FT.
WK ²	1.1 LBS./FT ²
BOWL ASSEMBLY WEIGHT	265 LBS.
EYE AREA: PROPELLER NO. B-1430-F	41.0 SQ. IN. 4 VANE
PROPELLER NO. B-1431-T	41.0 SQ. IN. 3 VANE
PROPELLER NO. B-1432-T	41.0 SQ. IN. 3 VANE
PROPELLER NO. B-1433-T	41.0 SQ. IN. 3 VANE
PROPELLER NO.	
PROPELLER NO.	

HYDRAULIC PERFORMANCE IS CONTINGENT ON FURNISHING THE PUMP WITH SPECIFIED AMOUNT OF CLEAR, FRESH, NON-AERATED WATER NOT TO EXCEED 85° F.

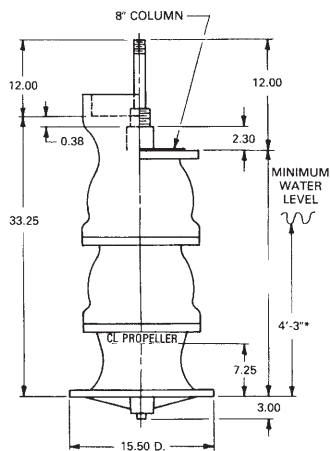
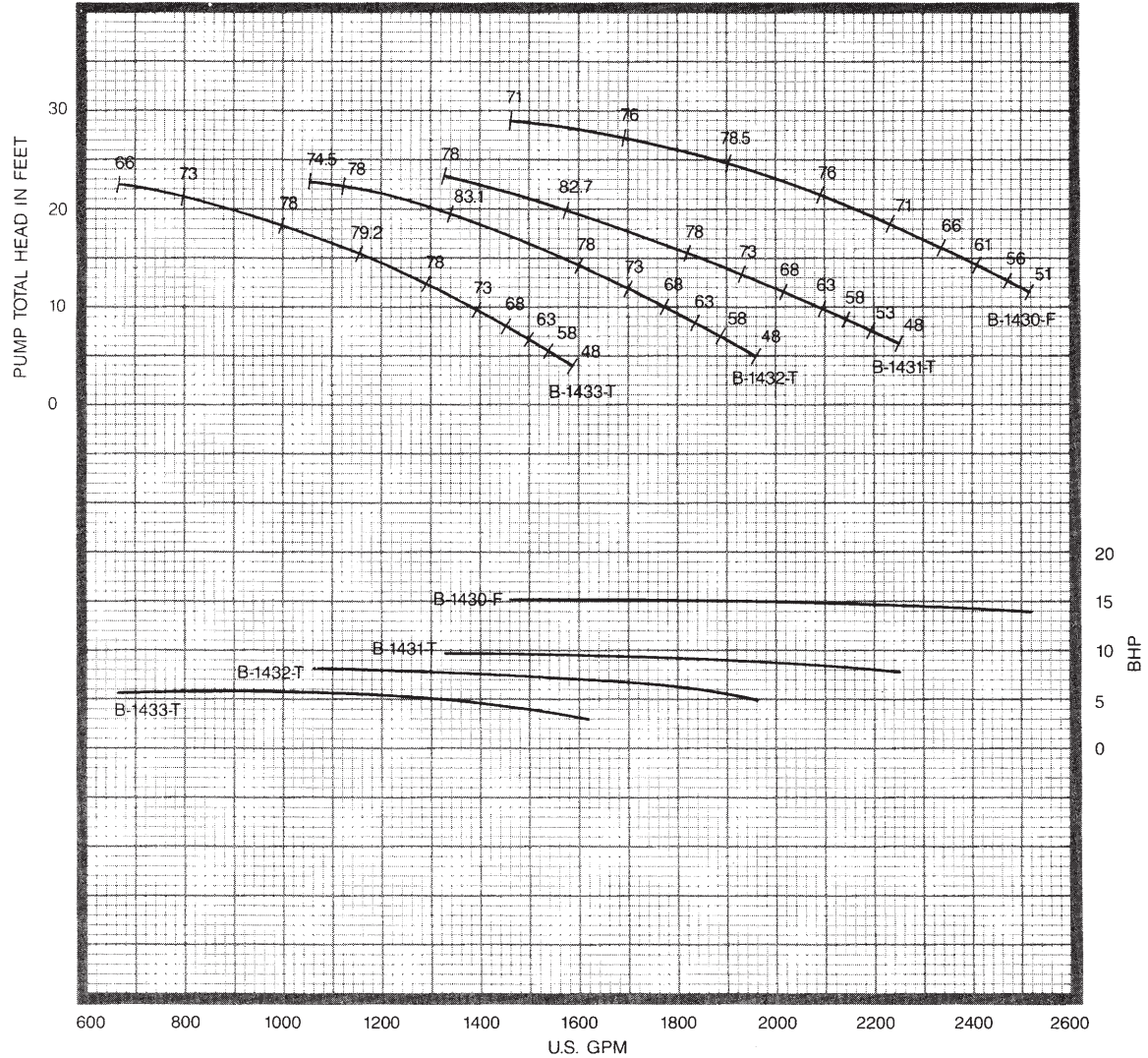
PUMP PERFORMANCE SHOWN IS BOWL ASSEMBLY WITH 10 FEET OF COLUMN INCLUDING A STANDARD ABOVE GROUND DISCHARGE ELBOW. ADDITIONAL COLUMN LOSSES SHOULD BE ADDED WHEN SETTINGS ARE DEEPER THAN 10 FEET AND/OR FOR OTHER DISCHARGE ARRANGEMENTS.



*This value is the minimum submergence required to prevent vortexing only. This value may need to be increased to provide adequate NPSHA.

10"
8312
1170
RPM
2
STAGE

10"
COLUMN
10"
CAST IRON
ELBOW
1-1/4"
LINESHAFT
2"
ENCLOSING
TUBE

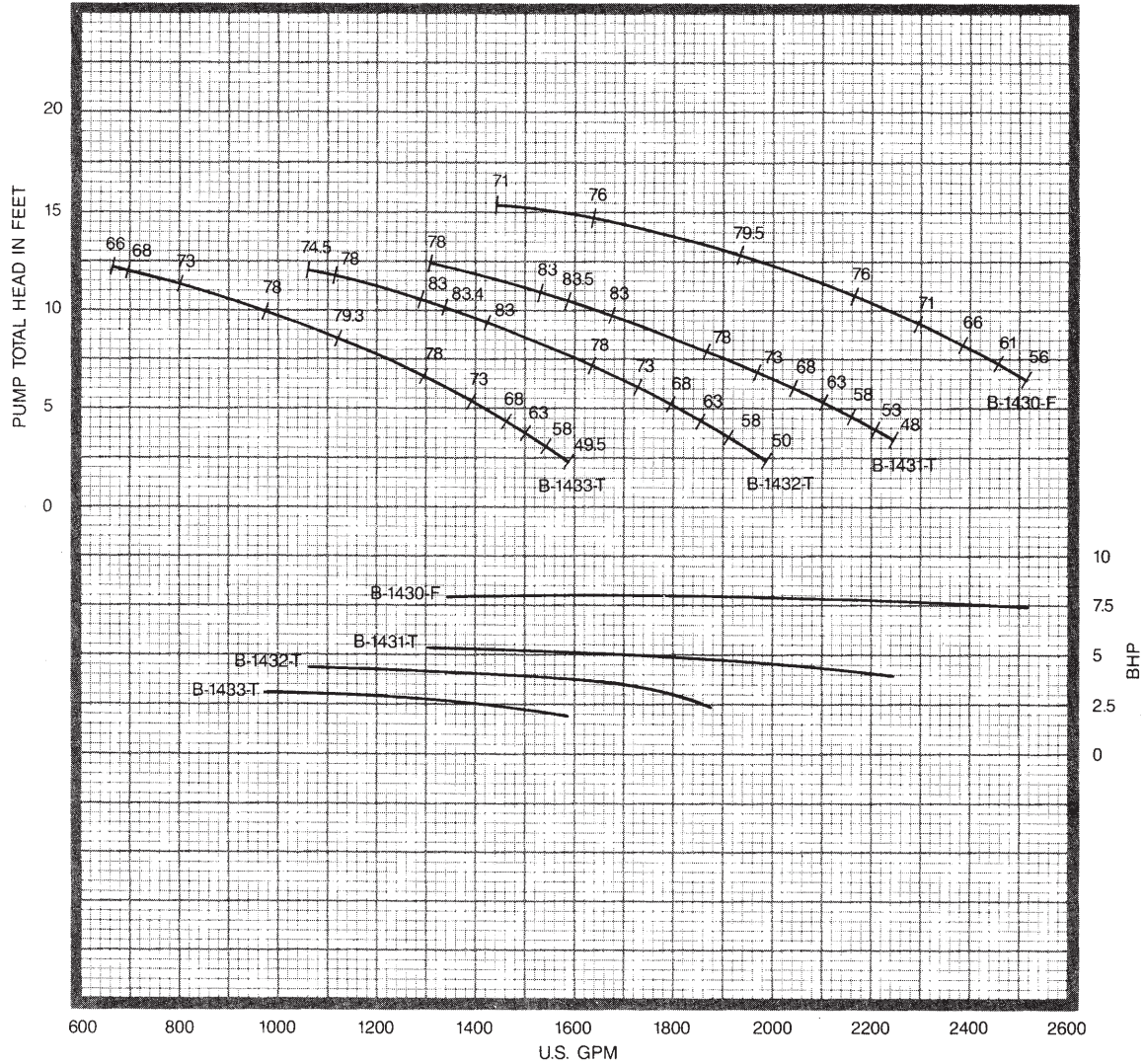


DATA	VALUE
PUMP SHAFT DIAMETER	1.1875 IN.
MAXIMUM SPHERE SIZE	1.5 IN.
K _t (THRUST FACTOR)	20 LBS./FT.
K _a (TOTAL ROTOR WEIGHT)	34 LBS.
K _s (SETTING CONSTANT)	3.8 LBS./FT.
WK ²	2.2 LBS.-FT. ²
BOWL ASSEMBLY WEIGHT	385 LBS.
EYE AREA: PROPELLER NO. B-1430-F	41.0 SQ. IN. 4 VANE
PROPELLER NO. B-1431-T	41.0 SQ. IN. 3 VANE
PROPELLER NO. B-1432-T	41.0 SQ. IN. 3 VANE
PROPELLER NO. B-1433-T	41.0 SQ. IN. 3 VANE
PROPELLER NO.	
PROPELLER NO.	

HYDRAULIC PERFORMANCE IS CONTINGENT ON FURNISHING THE PUMP WITH SPECIFIED AMOUNT OF CLEAR, FRESH, NON-AERATED WATER NOT TO EXCEED 85° F.

PUMP PERFORMANCE SHOWN IS BOWL ASSEMBLY WITH 10 FEET OF COLUMN INCLUDING A STANDARD ABOVE GROUND DISCHARGE ELBOW. ADDITIONAL COLUMN LOSSES SHOULD BE ADDED WHEN SETTINGS ARE DEEPER THAN 10 FEET AND/OR FOR OTHER DISCHARGE ARRANGEMENTS.

*This value is the minimum submergence required to prevent vortexing only. This value may need to be increased to provide adequate NPSHA.



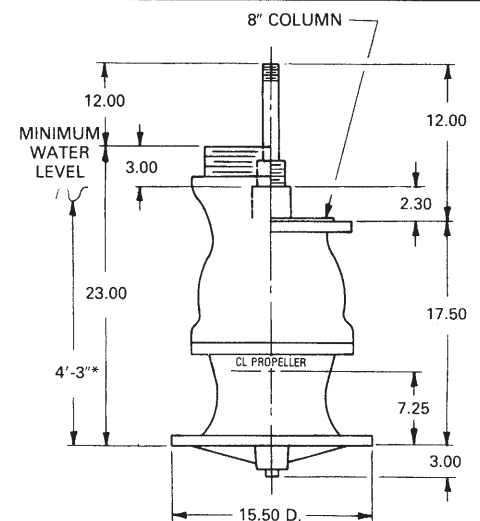
10"
8312
1170
RPM
1
STAGE

12"
COLUMN
12"
CAST IRON
ELBOW
1"
LINESHAFT
1-1/2"
ENCLOSING
TUBE

DATA	VALUE
PUMP SHAFT DIAMETER	1.1875 IN.
MAXIMUM SPHERE SIZE	1.5 IN.
K _t (THRUST FACTOR)	20 LBS./FT.
K _a (TOTAL ROTOR WEIGHT)	17 LBS.
K _s (SETTING CONSTANT)	2.8 LBS./FT.
WK ²	1.1 LBS.-FT. ²
BOWL ASSEMBLY WEIGHT	325 LBS.
EYE AREA: PROPELLER NO. B-1430-F	41.0 SQ. IN. 4 VANE
PROPELLER NO. B-1431-T	41.0 SQ. IN. 3 VANE
PROPELLER NO. B-1432-T	41.0 SQ. IN. 3 VANE
PROPELLER NO. B-1433-T	41.0 SQ. IN. 3 VANE
PROPELLER NO.	
PROPELLER NO.	

HYDRAULIC PERFORMANCE IS CONTINGENT ON FURNISHING THE PUMP WITH SPECIFIED AMOUNT OF CLEAR, FRESH, NON-AERATED WATER NOT TO EXCEED 85° F.

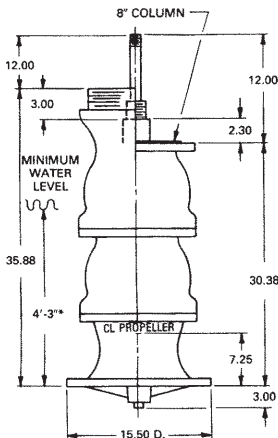
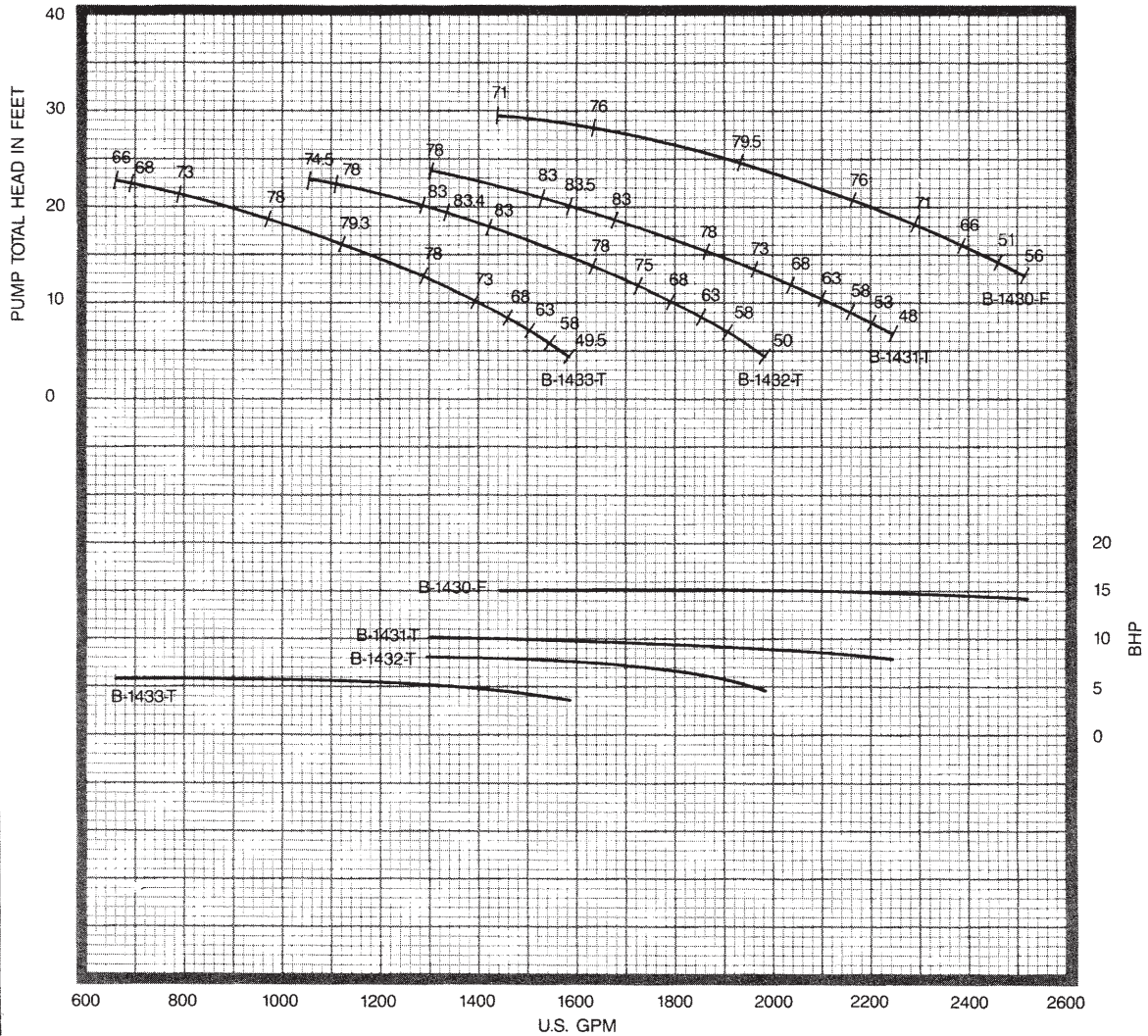
PUMP PERFORMANCE SHOWN IS BOWL ASSEMBLY WITH 10 FEET OF COLUMN INCLUDING A STANDARD ABOVE GROUND DISCHARGE ELBOW. ADDITIONAL COLUMN LOSSES SHOULD BE ADDED WHEN SETTINGS ARE DEEPER THAN 10 FEET AND/OR FOR OTHER DISCHARGE ARRANGEMENTS.



*This value is the minimum submergence required to prevent vortexing only. This value may need to be increased to provide adequate NPSHA.

10"
8312
1170
RPM
2
STAGE

12"
COLUMN
12"
CAST IRON
ELBOW
1-1/4"
LINESHAFT
2"
ENCLOSING
TUBE

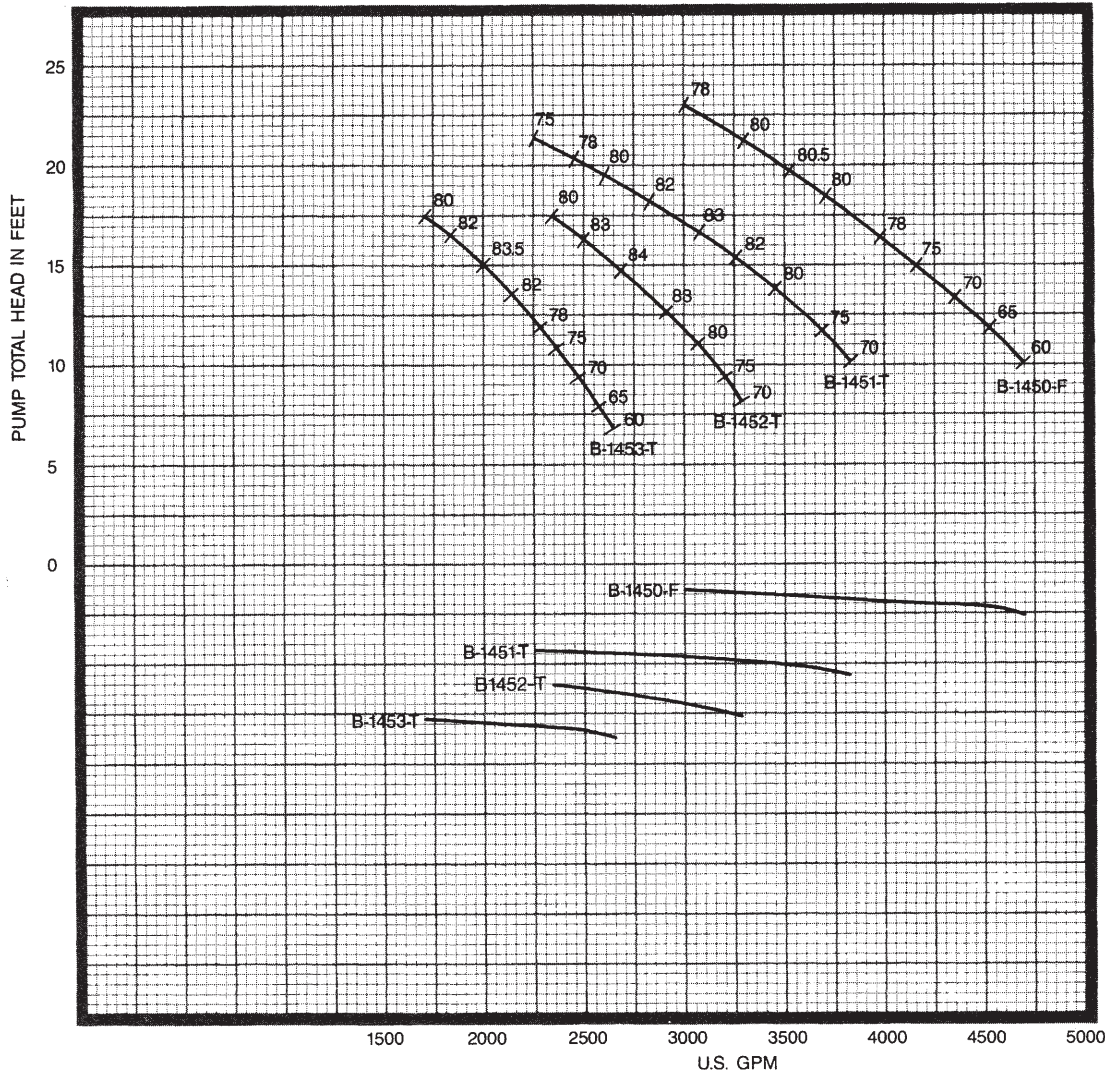


DATA	VALUE
PUMP SHAFT DIAMETER	1.1875 IN.
MAXIMUM SPHERE SIZE	1.5 IN.
K _t (THRUST FACTOR)	20 LBS./FT.
K _a (TOTAL ROTOR WEIGHT)	34 LBS.
K _s (SETTING CONSTANT)	3.8 LBS./FT.
WK ²	2.2 LBS.-FT. ²
BOWL ASSEMBLY WEIGHT	445 LBS.
EYE AREA: PROPELLER NO. B-1430-F	41.0 SQ. IN. 4 VANE
PROPELLER NO. B-1431-T	41.0 SQ. IN. 3 VANE
PROPELLER NO. B-1432-T	41.0 SQ. IN. 3 VANE
PROPELLER NO. B-1433-T	41.0 SQ. IN. 3 VANE
PROPELLER NO.	
PROPELLER NO.	

HYDRAULIC PERFORMANCE IS CONTINGENT ON FURNISHING THE PUMP WITH SPECIFIED AMOUNT OF CLEAR, FRESH, NON-AERATED WATER NOT TO EXCEED 85° F.

PUMP PERFORMANCE SHOWN IS BOWL ASSEMBLY WITH 10 FEET OF COLUMN INCLUDING A STANDARD ABOVE GROUND DISCHARGE ELBOW. ADDITIONAL COLUMN LOSSES SHOULD BE ADDED WHEN SETTINGS ARE DEEPER THAN 10 FEET AND/OR FOR OTHER DISCHARGE ARRANGEMENTS.

*This value is the minimum submergence required to prevent vortexing only. This value may need to be increased to provide adequate NPSHA.



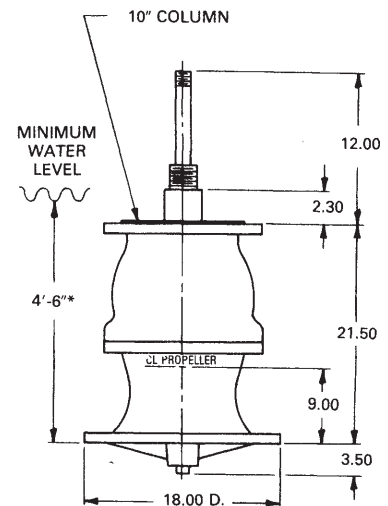
12"
8312
1180
RPM
1
STAGE

12"
COLUMN
12"
CAST IRON
ELBOW
1"
LINESHAFT
1-1/2"
ENCLOSING
TUBE

DATA	VALUE
PUMP SHAFT DIAMETER	1.4375 IN.
MAXIMUM SPHERE SIZE	1.88 IN.
K _t (THRUST FACTOR)	31 LBS./FT.
K _a (TOTAL ROTOR WEIGHT)	28 LBS.
K _s (SETTING CONSTANT)	2.8 LBS./FT.
WK ²	3.1 LBS.-FT. ²
BOWL ASSEMBLY WEIGHT	430 LBS.
EYE AREA: PROPELLER NO. B-1450-F	63.0 SQ. IN. 4 VANE
PROPELLER NO. B-1451-T	63.0 SQ. IN. 3 VANE
PROPELLER NO. B-1452-T	63.0 SQ. IN. 3 VANE
PROPELLER NO. B-1453-T	63.0 SQ. IN. 3 VANE
PROPELLER NO.	
PROPELLER NO.	

HYDRAULIC PERFORMANCE IS CONTINGENT ON FURNISHING THE PUMP WITH SPECIFIED AMOUNT OF CLEAR, FRESH, NON-AERATED WATER NOT TO EXCEED 85° F.

PUMP PERFORMANCE SHOWN IS BOWL ASSEMBLY WITH 10 FEET OF COLUMN INCLUDING A STANDARD ABOVE GROUND DISCHARGE ELBOW. ADDITIONAL COLUMN LOSSES SHOULD BE ADDED WHEN SETTINGS ARE DEEPER THAN 10 FEET AND/OR FOR OTHER DISCHARGE ARRANGEMENTS.



*This value is the minimum submergence required to prevent vortexing only. This value may need to be increased to provide adequate NPSHA.

12"
8312

1180
RPM

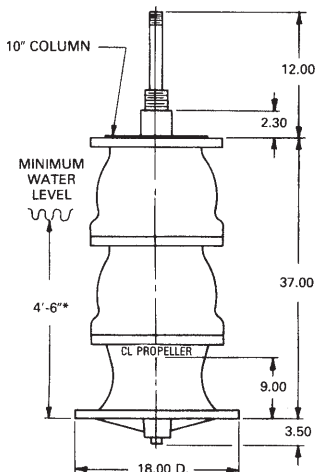
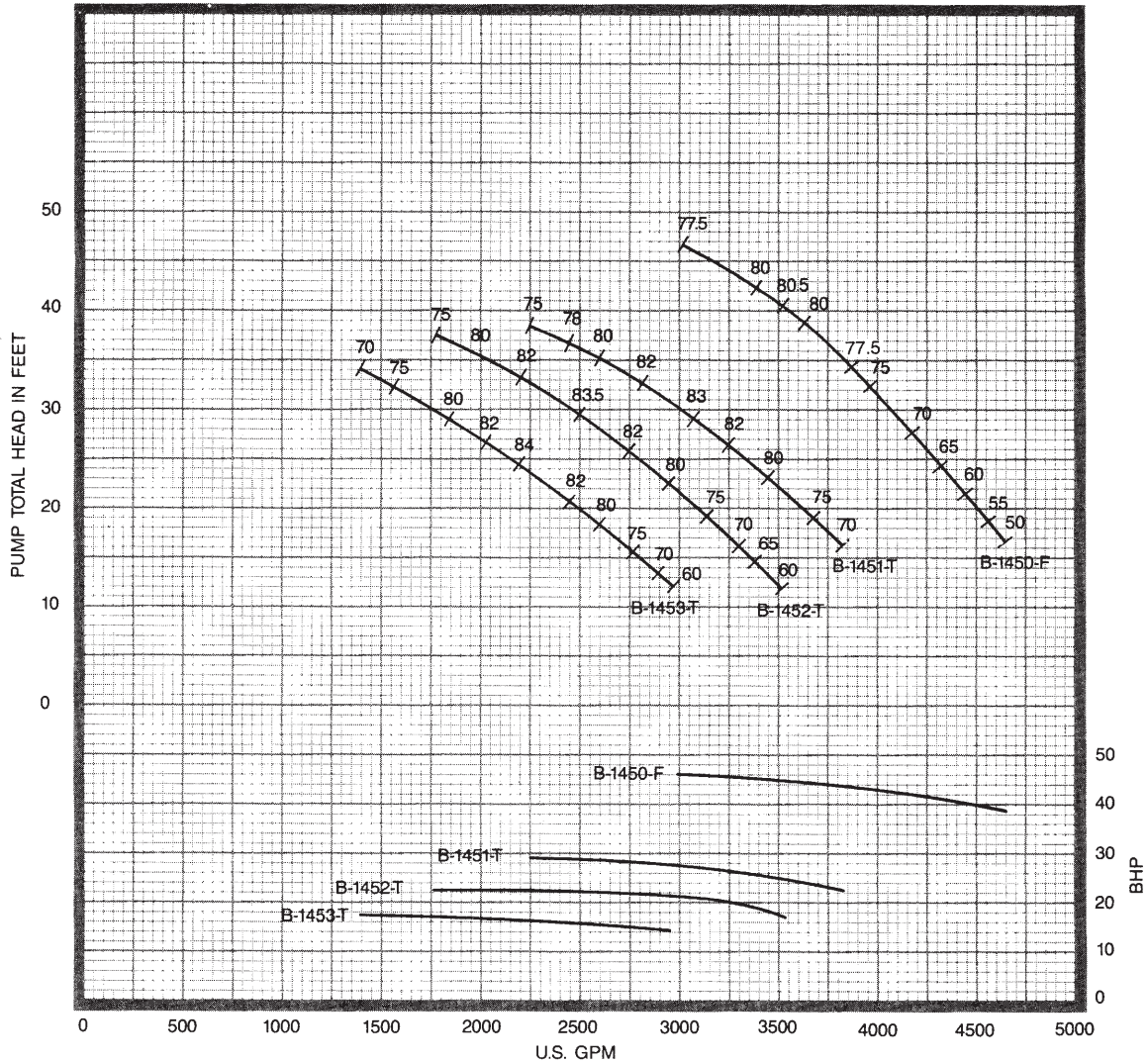
2
STAGE

12"
COLUMN

12"
CAST IRON
ELBOW

1-1/4"
LINESHAFT

2"
ENCLOSING
TUBE

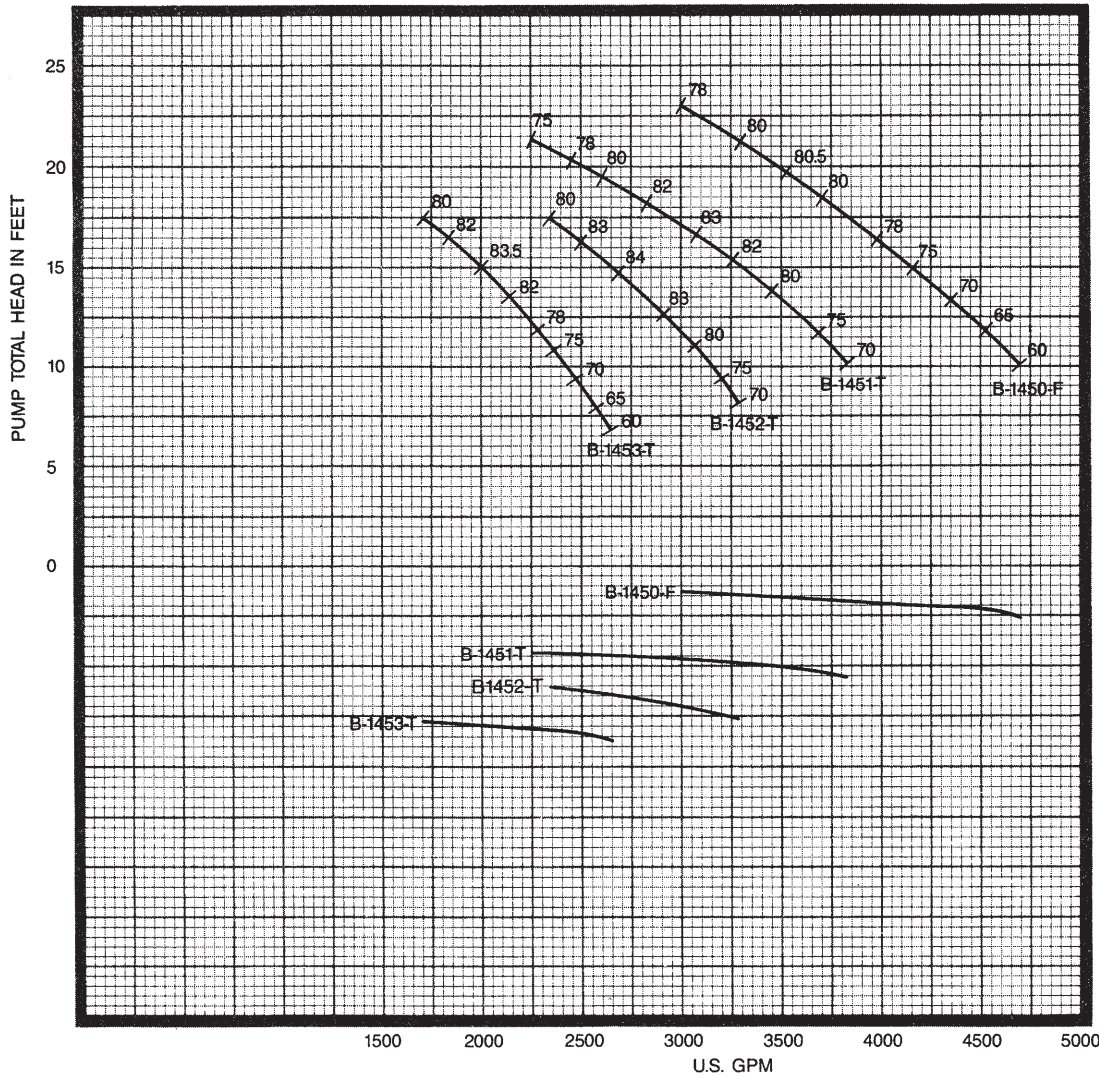


*This value is the minimum submergence required to prevent vortexing only. This value may need to be increased to provide adequate NPSHA.

DATA	VALUE
PUMP SHAFT DIAMETER	1.4375 IN.
MAXIMUM SPHERE SIZE	1.88 IN.
K _t (THRUST FACTOR)	31 LBS./FT.
K _a (TOTAL ROTOR WEIGHT)	56 LBS.
K _s (SETTING CONSTANT)	3.8 LBS./FT.
WK ²	6.2 LBS.-FT. ²
BOWL ASSEMBLY WEIGHT	650 LBS.
EYE AREA: PROPELLER NO. B-1450-F	63.0 SQ. IN. 4 VANE
PROPELLER NO. B-1451-T	63.0 SQ. IN. 3 VANE
PROPELLER NO. B-1452-T	63.0 SQ. IN. 3 VANE
PROPELLER NO. B-1453-T	63.0 SQ. IN. 3 VANE
PROPELLER NO.	
PROPELLER NO.	

HYDRAULIC PERFORMANCE IS CONTINGENT ON FURNISHING THE PUMP WITH SPECIFIED AMOUNT OF CLEAR, FRESH, NON-AERATED WATER NOT TO EXCEED 85° F.

PUMP PERFORMANCE SHOWN IS BOWL ASSEMBLY WITH 10 FEET OF COLUMN INCLUDING A STANDARD ABOVE GROUND DISCHARGE ELBOW. ADDITIONAL COLUMN LOSSES SHOULD BE ADDED WHEN SETTINGS ARE DEEPER THAN 10 FEET AND/OR FOR OTHER DISCHARGE ARRANGEMENTS.



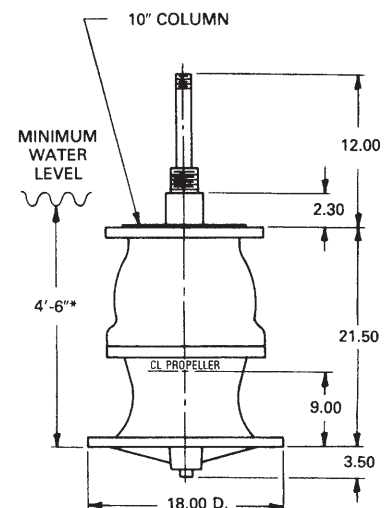
12"
8312
1170
RPM
1
STAGE

14"
COLUMN
14"
CAST IRON
ELBOW
1"
LINESHAFT
1-1/2"
ENCLOSING
TUBE

DATA	VALUE
PUMP SHAFT DIAMETER	1.4375 IN.
MAXIMUM SPHERE SIZE	1.88 IN.
K _t (THRUST FACTOR)	31 LBS./FT.
K _a (TOTAL ROTOR WEIGHT)	28 LBS.
K _s (SETTING CONSTANT)	2.8 LBS./FT.
WK ²	3.1 LBS.-FT. ²
BOWL ASSEMBLY WEIGHT	430 LBS.
EYE AREA: PROPELLER NO. B-1450-F	63.0 SQ. IN. 4 VANE
PROPELLER NO. B-1451-T	63.0 SQ. IN. 3 VANE
PROPELLER NO. B-1452-T	63.0 SQ. IN. 3 VANE
PROPELLER NO. B-1453-T	63.0 SQ. IN. 3 VANE
PROPELLER NO.	
PROPELLER NO.	

HYDRAULIC PERFORMANCE IS CONTINGENT ON FURNISHING THE PUMP WITH SPECIFIED AMOUNT OF CLEAR, FRESH, NON-AERATED WATER NOT TO EXCEED 85° F.

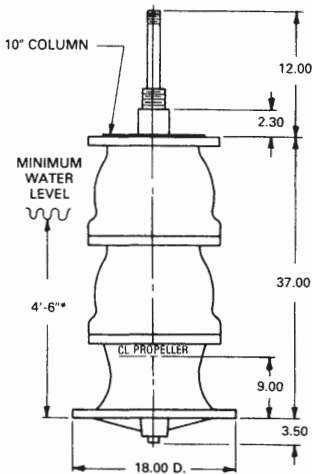
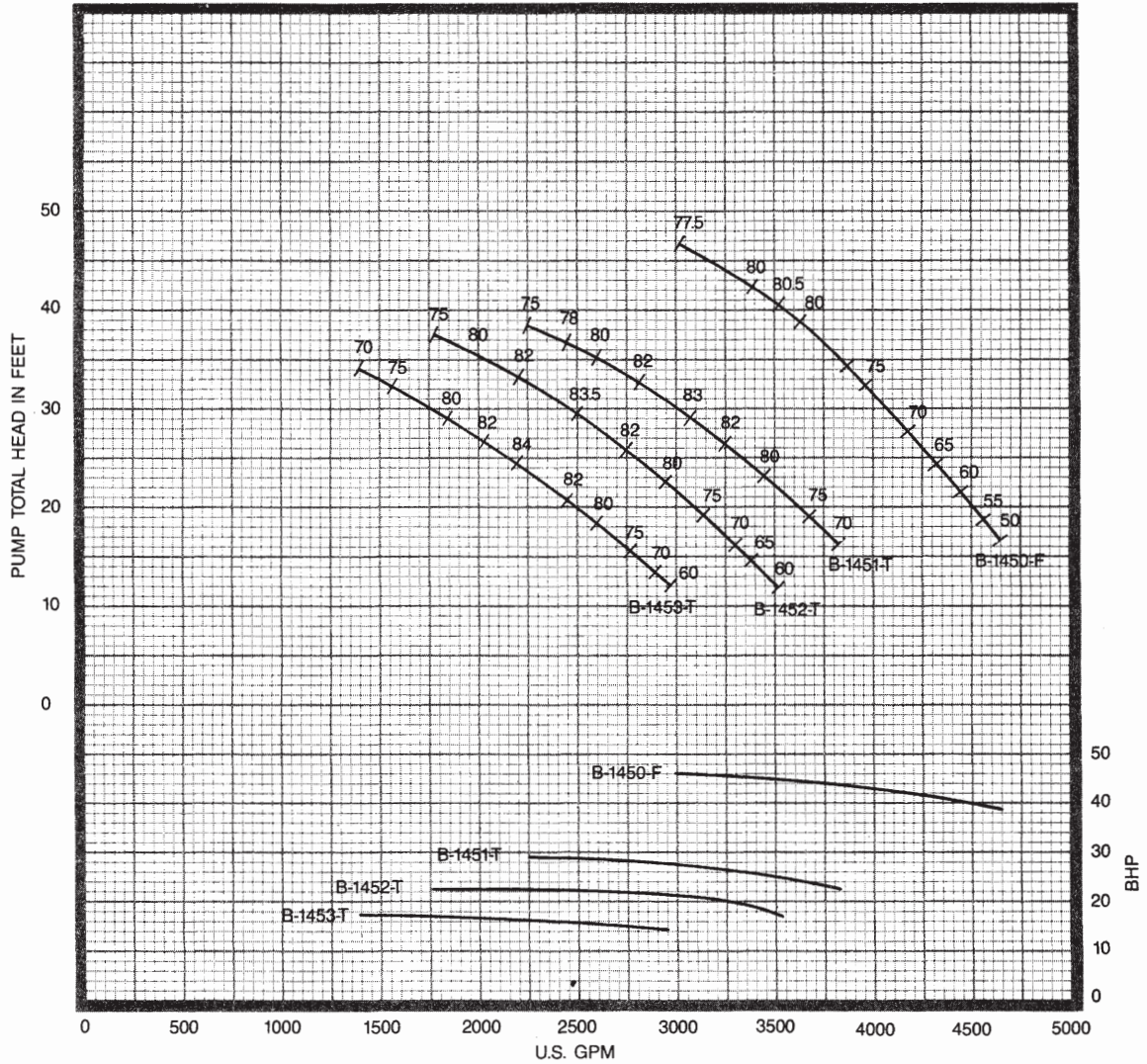
PUMP PERFORMANCE SHOWN IS BOWL ASSEMBLY WITH 10 FEET OF COLUMN INCLUDING A STANDARD ABOVE GROUND DISCHARGE ELBOW. ADDITIONAL COLUMN LOSSES SHOULD BE ADDED WHEN SETTINGS ARE DEEPER THAN 10 FEET AND/OR FOR OTHER DISCHARGE ARRANGEMENTS.



*This value is the minimum submergence required to prevent vortexing only. This value may need to be increased to provide adequate NPSHA.

12"
8312
1170
RPM
2
STAGE

14"
COLUMN
14"
CAST IRON
ELBOW
1-1/4"
LINESHAFT
2"
ENCLOSING
TUBE

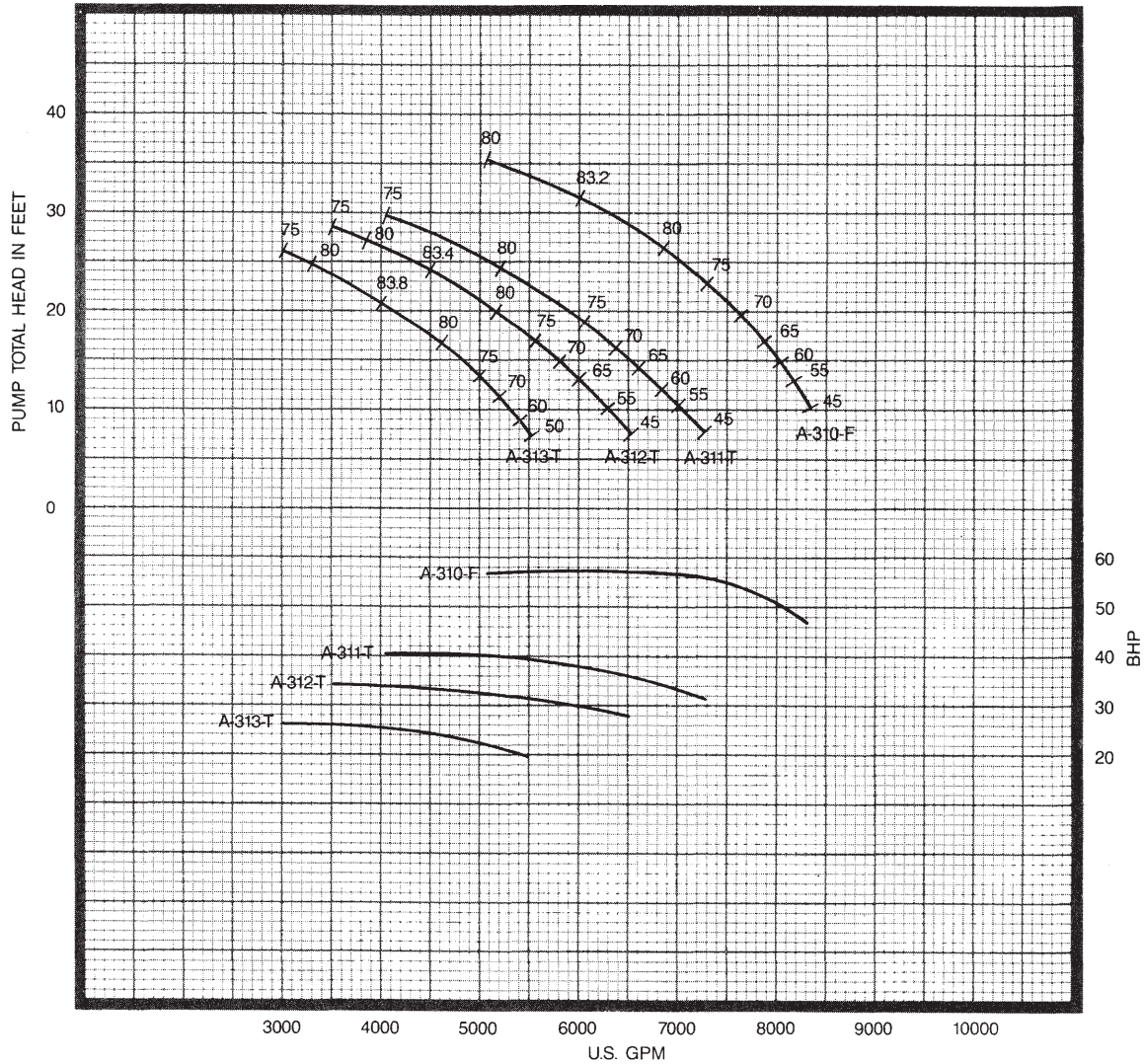


*This value is the minimum submergence required to prevent vortexing only. This value may need to be increased to provide adequate NPSHA.

DATA	VALUE
PUMP SHAFT DIAMETER	1.4375 IN.
MAXIMUM SPHERE SIZE	1.88 IN.
K _t (THRUST FACTOR)	31 LBS./FT.
K _a (TOTAL ROTOR WEIGHT)	56 LBS.
K _s (SETTING CONSTANT)	3.8 LBS./FT.
WK ²	6.2 LBS.-FT. ²
BOWL ASSEMBLY WEIGHT	650 LBS.
EYE AREA: PROPELLER NO. B-1450-F	63.0 SQ. IN. 4 VANE
PROPELLER NO. B-1451-T	63.0 SQ. IN. 3 VANE
PROPELLER NO. B-1452-T	63.0 SQ. IN. 3 VANE
PROPELLER NO. B-1453-T	63.0 SQ. IN. 3 VANE
PROPELLER NO.	
PROPELLER NO.	

HYDRAULIC PERFORMANCE IS CONTINGENT ON FURNISHING THE PUMP WITH SPECIFIED AMOUNT OF CLEAR, FRESH, NON-AERATED WATER NOT TO EXCEED 85° F.

PUMP PERFORMANCE SHOWN IS BOWL ASSEMBLY WITH 10 FEET OF COLUMN INCLUDING A STANDARD ABOVE GROUND DISCHARGE ELBOW. ADDITIONAL COLUMN LOSSES SHOULD BE ADDED WHEN SETTINGS ARE DEEPER THAN 10 FEET AND/OR FOR OTHER DISCHARGE ARRANGEMENTS.



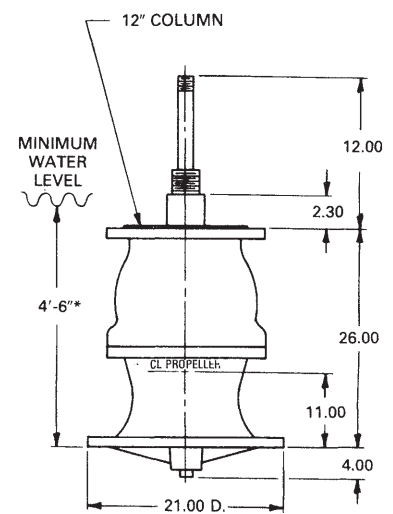
14"
8312
1170
RPM
1
STAGE

14"
COLUMN
14"
CAST IRON
ELBOW
1-1/2"
LINESHAFT
2-1/2"
ENCLOSING
TUBE

DATA	VALUE
PUMP SHAFT DIAMETER	1.6875 IN.
MAXIMUM SPHERE SIZE	2.25 IN.
K _t (THRUST FACTOR)	46 LBS./FT.
K _a (TOTAL ROTOR WEIGHT)	45 LBS.
K _s (SETTING CONSTANT)	5.5 LBS./FT.
WK ²	7.1 LBS.-FT. ²
BOWL ASSEMBLY WEIGHT	595 LBS.
EYE AREA: PROPELLER NO. A-310-F	92.0 SQ. IN. 4 VANE
PROPELLER NO. A-311-T	92.0 SQ. IN. 3 VANE
PROPELLER NO. A-312-T	92.0 SQ. IN. 3 VANE
PROPELLER NO. A-313-T	92.0 SQ. IN. 3 VANE
PROPELLER NO.	
PROPELLER NO.	

HYDRAULIC PERFORMANCE IS CONTINGENT ON FURNISHING THE PUMP WITH SPECIFIED AMOUNT OF CLEAR, FRESH, NON-AERATED WATER NOT TO EXCEED 85° F.

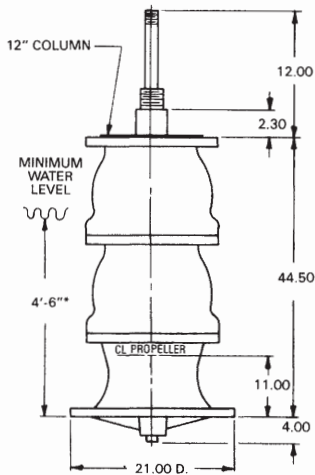
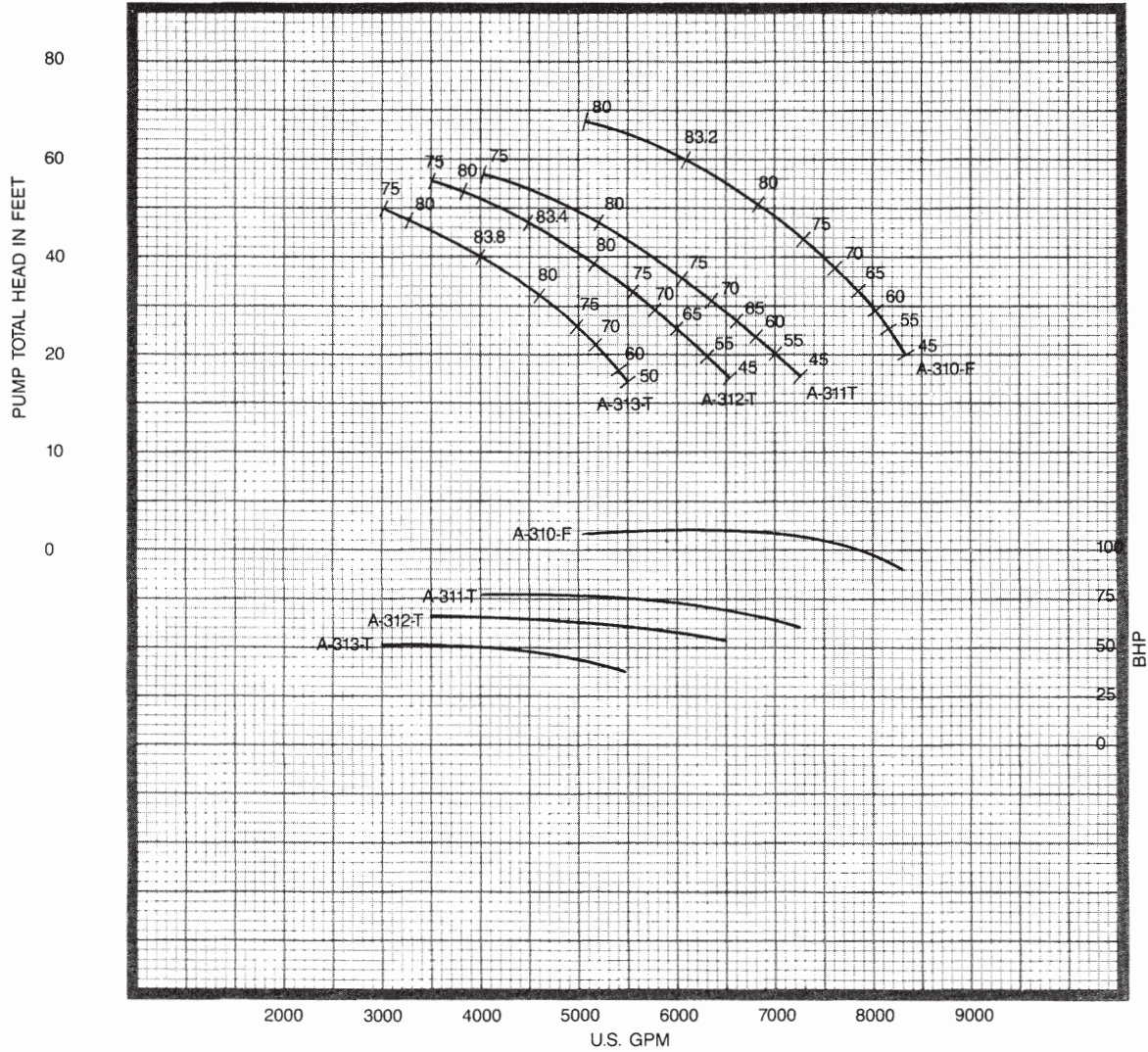
PUMP PERFORMANCE SHOWN IS BOWL ASSEMBLY WITH 10 FEET OF COLUMN INCLUDING A STANDARD ABOVE GROUND DISCHARGE ELBOW. ADDITIONAL COLUMN LOSSES SHOULD BE ADDED WHEN SETTINGS ARE DEEPER THAN 10 FEET AND/OR FOR OTHER DISCHARGE ARRANGEMENTS.



*This value is the minimum submergence required to prevent vortexing only. This value may need to be increased to provide adequate NPSHA.

14"
8312
1170
RPM
2
STAGE

14"
COLUMN
14"
CAST IRON
ELBOW
1-11/16"
LINESHAFT
2-1/2"
ENCLOSING
TUBE

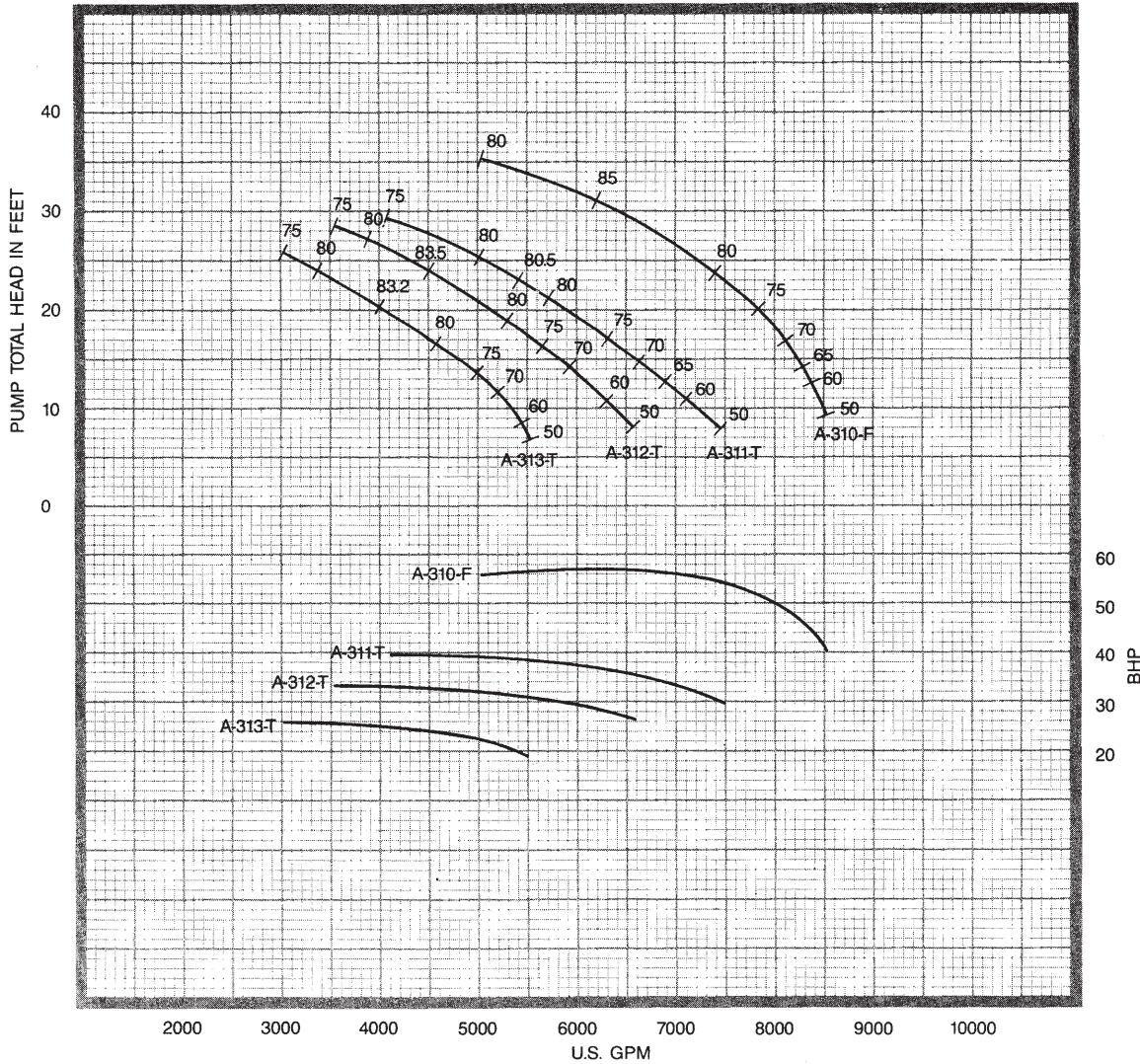


*This value is the minimum submergence required to prevent vortexing only. This value may need to be increased to provide adequate NPSHA.

DATA	VALUE
PUMP SHAFT DIAMETER	1.6875 IN.
MAXIMUM SPHERE SIZE	2.25 IN.
Kt (THRUST FACTOR)	46 LBS./FT.
Ka (TOTAL ROTOR WEIGHT)	90 LBS.
Ks (SETTING CONSTANT)	7.6 LBS./FT.
WK ²	14.2 LBS.-FT. ²
BOWL ASSEMBLY WEIGHT	770 LBS.
EYE AREA: PROPELLER NO. A-310-F	92.0 SQ. IN. 4 VANE
PROPELLER NO. A-311-T	92.0 SQ. IN. 3 VANE
PROPELLER NO. A-312-T	92.0 SQ. IN. 3 VANE
PROPELLER NO. A-313-T	92.0 SQ. IN. 3 VANE
PROPELLER NO.	
PROPELLER NO.	

HYDRAULIC PERFORMANCE IS CONTINGENT ON FURNISHING THE PUMP WITH SPECIFIED AMOUNT OF CLEAR, FRESH, NON-AERATED WATER NOT TO EXCEED 85° F.

PUMP PERFORMANCE SHOWN IS BOWL ASSEMBLY WITH 10 FEET OF COLUMN INCLUDING A STANDARD ABOVE GROUND DISCHARGE ELBOW. ADDITIONAL COLUMN LOSSES SHOULD BE ADDED WHEN SETTINGS ARE DEEPER THAN 10 FEET AND/OR FOR OTHER DISCHARGE ARRANGEMENTS.



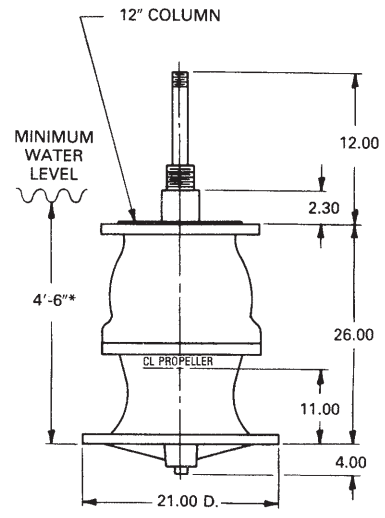
14"
8312
1170
RPM
1
STAGE

16"
COLUMN
16"
FABRICATED
STEEL ELBOW
1-1/2"
LINESHAFT
2-1/2"
ENCLOSING
TUBE

DATA	VALUE
PUMP SHAFT DIAMETER	1.6875 IN.
MAXIMUM SPHERE SIZE	2.25 IN.
Kt (THRUST FACTOR)	46 LBS./FT.
Ka (TOTAL ROTOR WEIGHT)	45 LBS.
Ks (SETTING CONSTANT)	5.5 LBS./FT.
WK ²	7.1 LBS.-FT. ²
BOWL ASSEMBLY WEIGHT	425 LBS.
EYE AREA: PROPELLER NO. A-310-F	92.0 SQ. IN. 4 VANE
PROPELLER NO. A-311-T	92.0 SQ. IN. 3 VANE
PROPELLER NO. A-312-T	92.0 SQ. IN. 3 VANE
PROPELLER NO. A-313-T	92.0 SQ. IN. 3 VANE
PROPELLER NO.	
PROPELLER NO.	

HYDRAULIC PERFORMANCE IS CONTINGENT ON FURNISHING THE PUMP WITH SPECIFIED AMOUNT OF CLEAR, FRESH, NON-AERATED WATER NOT TO EXCEED 85° F.

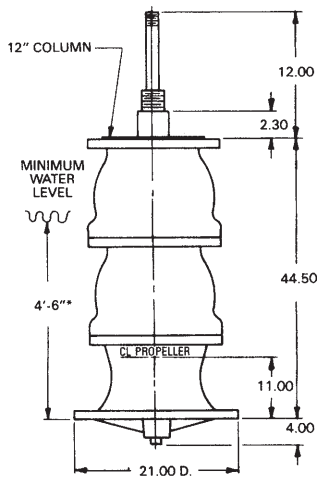
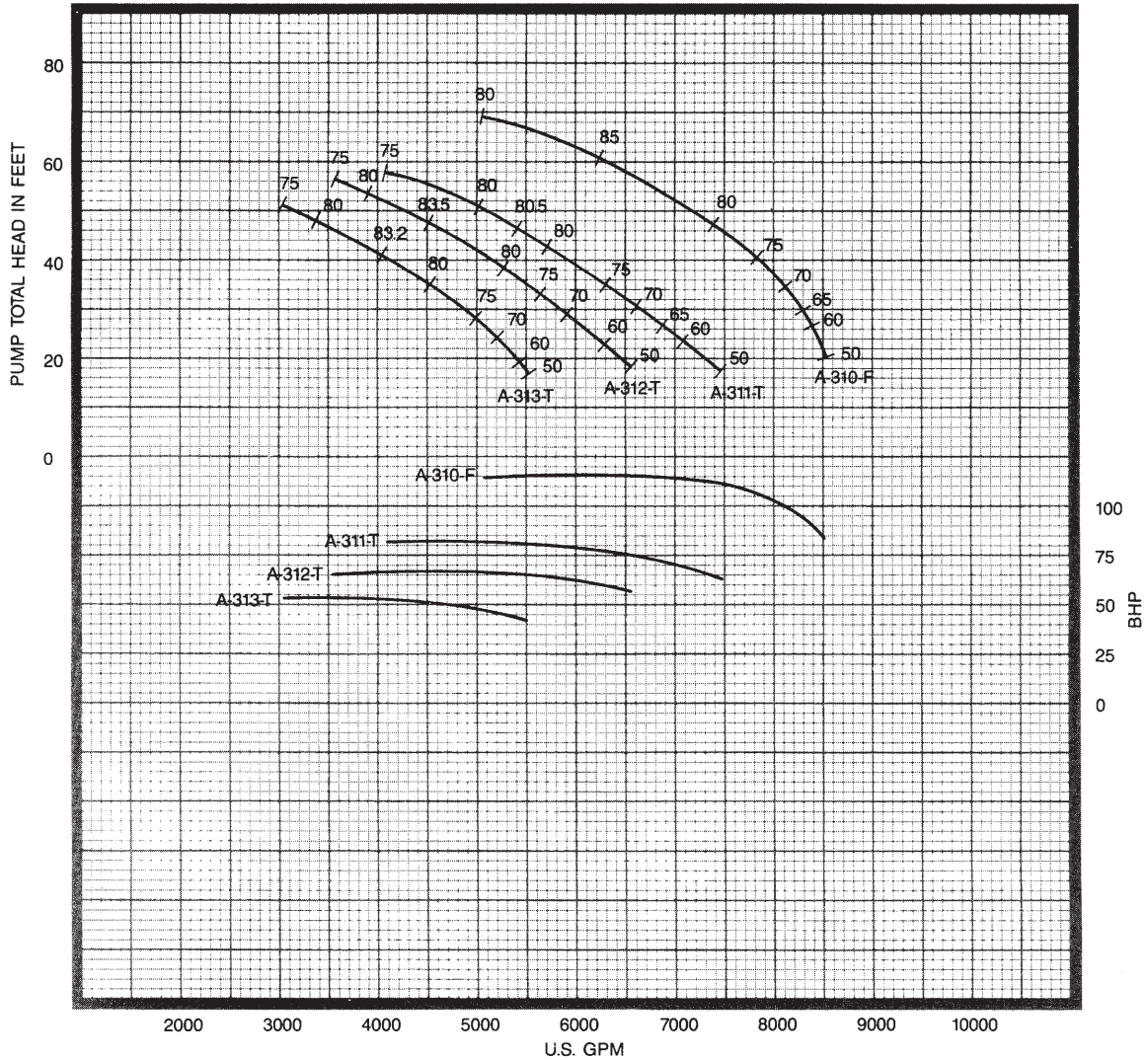
PUMP PERFORMANCE SHOWN IS BOWL ASSEMBLY WITH 10 FEET OF COLUMN INCLUDING A STANDARD ABOVE GROUND DISCHARGE ELBOW. ADDITIONAL COLUMN LOSSES SHOULD BE ADDED WHEN SETTINGS ARE DEEPER THAN 10 FEET AND/OR FOR OTHER DISCHARGE ARRANGEMENTS.



*This value is the minimum submergence required to prevent vortexing only. This value may need to be increased to provide adequate NPSHA.

14"
8312
1170
RPM
2
STAGE

16"
COLUMN
16"
FABRICATED
STEEL ELBOW
1-11/16"
LINESHAFT
2-1/2"
ENCLOSING
TUBE

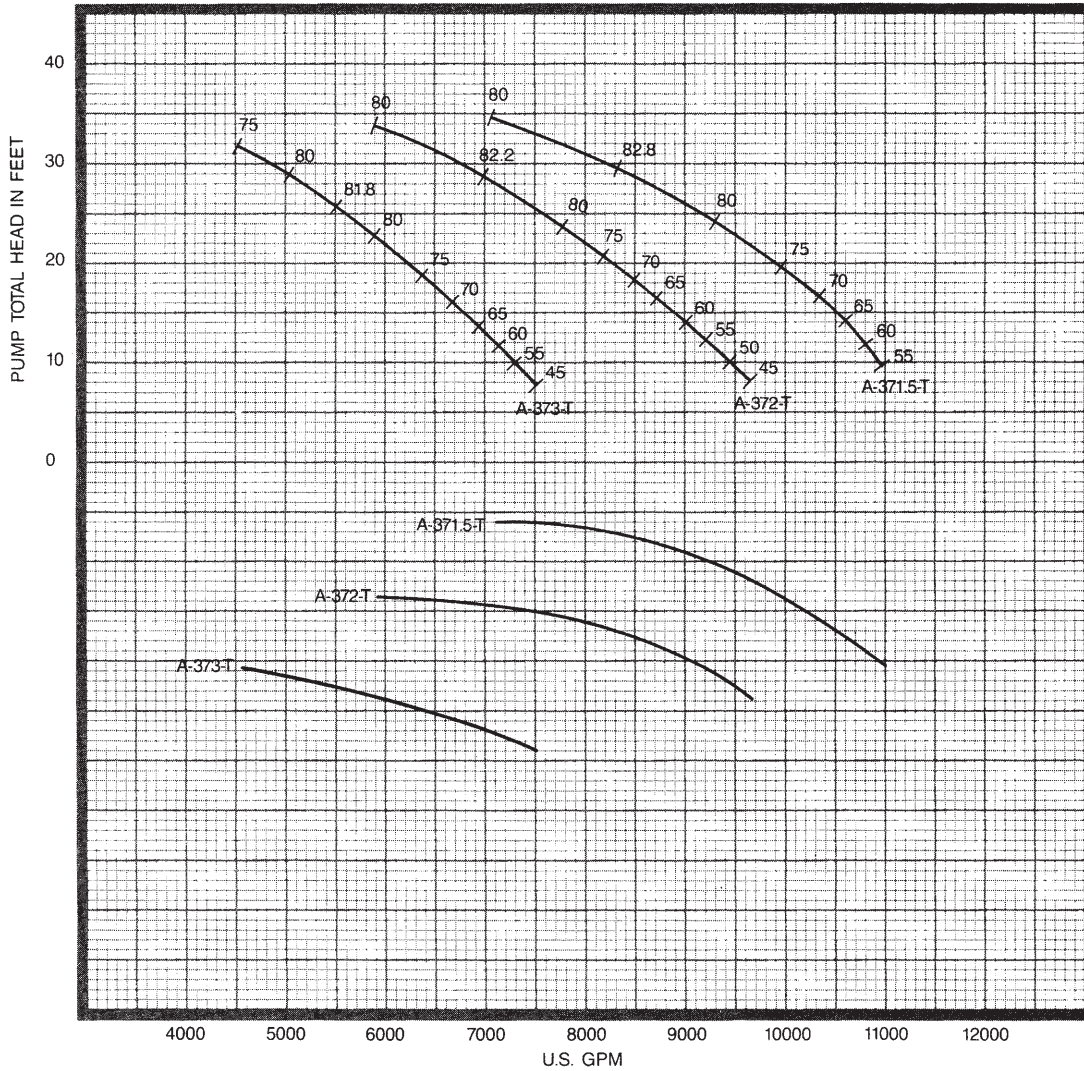


*This value is the minimum submergence required to prevent vortexing only. This value may need to be increased to provide adequate NPSHA.

DATA	VALUE
PUMP SHAFT DIAMETER	1.6875 IN.
MAXIMUM SPHERE SIZE	2.25 IN.
K _t (THRUST FACTOR)	46 LBS./FT.
K _a (TOTAL ROTOR WEIGHT)	90 LBS.
K _s (SETTING CONSTANT)	7.6 LBS./FT.
WK ²	14.2 LBS.-FT. ²
BOWL ASSEMBLY WEIGHT	700 LBS.
EYE AREA: PROPELLER NO. A-310-F	92.0 SQ. IN. 4 VANE
PROPELLER NO. A-311-T	92.0 SQ. IN. 3 VANE
PROPELLER NO. A-312-T	92.0 SQ. IN. 3 VANE
PROPELLER NO. A-313-T	92.0 SQ. IN. 3 VANE
PROPELLER NO.	
PROPELLER NO.	

HYDRAULIC PERFORMANCE IS CONTINGENT ON FURNISHING THE PUMP WITH SPECIFIED AMOUNT OF CLEAR, FRESH, NON-AERATED WATER NOT TO EXCEED 85° F.

PUMP PERFORMANCE SHOWN IS BOWL ASSEMBLY WITH 10 FEET OF COLUMN INCLUDING A STANDARD ABOVE GROUND DISCHARGE ELBOW. ADDITIONAL COLUMN LOSSES SHOULD BE ADDED WHEN SETTINGS ARE DEEPER THAN 10 FEET AND/OR FOR OTHER DISCHARGE ARRANGEMENTS.



16"
8312
1170
RPM
1
STAGE

16"
COLUMN

16"
FABRICATED
STEEL ELBOW

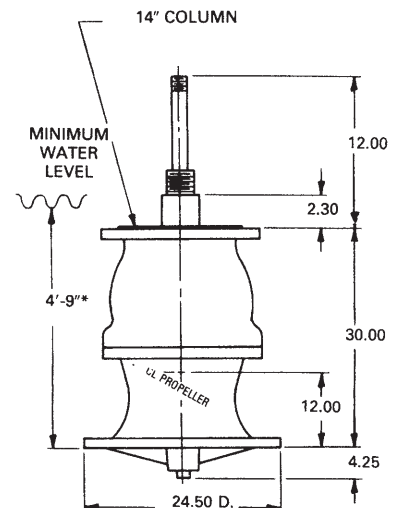
1-1/2"
LINESHAFT

2-1/2"
ENCLOSING
TUBE

DATA	VALUE
PUMP SHAFT DIAMETER	1.6875 IN.
MAXIMUM SPHERE SIZE	2.63 IN.
K _t (THRUST FACTOR)	62 LBS./FT.
K _a (TOTAL ROTOR WEIGHT)	66 LBS.
K _s (SETTING CONSTANT)	5.5 LBS./FT.
WK ²	14 LBS.-FT. ²
BOWL ASSEMBLY WEIGHT	625 LBS.
EYE AREA: PROPELLER NO. A-371.5-T	124.0 SQ. IN. 3 VANE
PROPELLER NO. A-372-T	124.0 SQ. IN. 3 VANE
PROPELLER NO. A-373-T	124.0 SQ. IN. 3 VANE
PROPELLER NO.	
PROPELLER NO.	
PROPELLER NO.	

HYDRAULIC PERFORMANCE IS CONTINGENT ON FURNISHING THE PUMP WITH SPECIFIED AMOUNT OF CLEAR, FRESH, NON-AERATED WATER NOT TO EXCEED 85° F.

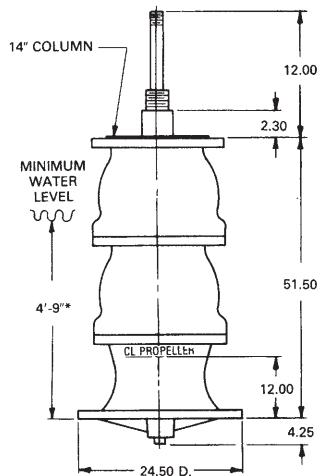
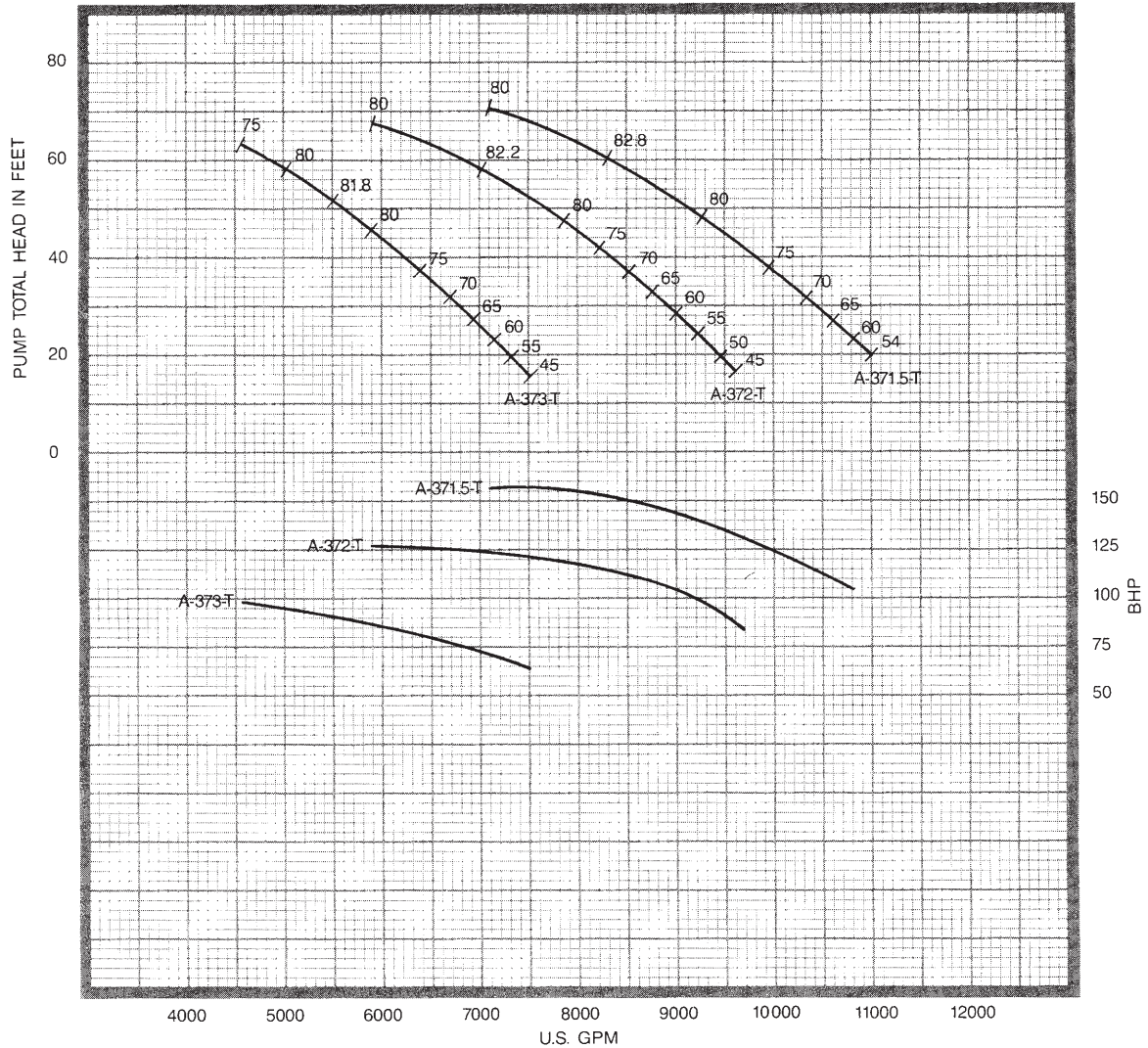
PUMP PERFORMANCE SHOWN IS BOWL ASSEMBLY WITH 10 FEET OF COLUMN INCLUDING A STANDARD ABOVE GROUND DISCHARGE ELBOW. ADDITIONAL COLUMN LOSSES SHOULD BE ADDED WHEN SETTINGS ARE DEEPER THAN 10 FEET AND/OR FOR OTHER DISCHARGE ARRANGEMENTS.



*This value is the minimum submergence required to prevent vortexing only. This value may need to be increased to provide adequate NPSHA.

16"
8312
1170
RPM
2
STAGE

16"
COLUMN
16"
FABRICATED
STEEL ELBOW
1-11/16"
LINESHAFT
2-1/2"
ENCLOSING
TUBE

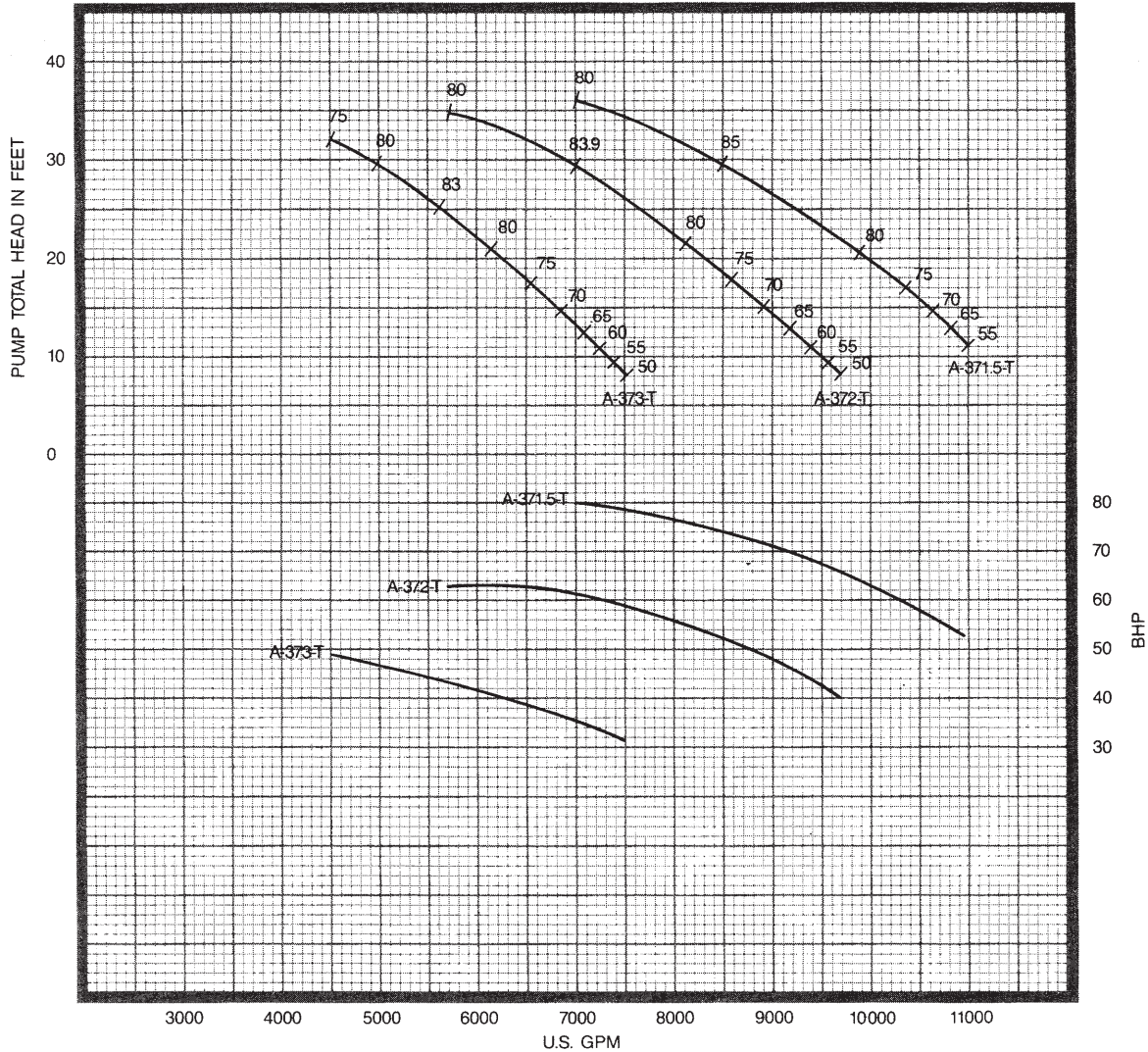


*This value is the minimum submergence required to prevent vortexing only. This value may need to be increased to provide adequate NPSHA.

DATA	VALUE
PUMP SHAFT DIAMETER	1.6875 IN.
MAXIMUM SPHERE SIZE	2.63 IN.
K _t (THRUST FACTOR)	62 LBS./FT.
K _a (TOTAL ROTOR WEIGHT)	132 LBS.
K _s (SETTING CONSTANT)	7.6 LBS./FT.
WK ²	28 LBS.-FT. ²
BOWL ASSEMBLY WEIGHT	1025 LBS.
EYE AREA: PROPELLER NO. A-371.5-T	124.0 SQ. IN. 3 VANE
PROPELLER NO. A-372-T	124.0 SQ. IN. 3 VANE
PROPELLER NO. A-373-T	124.0 SQ. IN. 3 VANE
PROPELLER NO.	
PROPELLER NO.	
PROPELLER NO.	

HYDRAULIC PERFORMANCE IS CONTINGENT ON FURNISHING THE PUMP WITH SPECIFIED AMOUNT OF CLEAR, FRESH, NON-AERATED WATER NOT TO EXCEED 85° F.

PUMP PERFORMANCE SHOWN IS BOWL ASSEMBLY WITH 10 FEET OF COLUMN INCLUDING A STANDARD ABOVE GROUND DISCHARGE ELBOW. ADDITIONAL COLUMN LOSSES SHOULD BE ADDED WHEN SETTINGS ARE DEEPER THAN 10 FEET AND/OR FOR OTHER DISCHARGE ARRANGEMENTS.



16"
8312
1170
RPM
1
STAGE

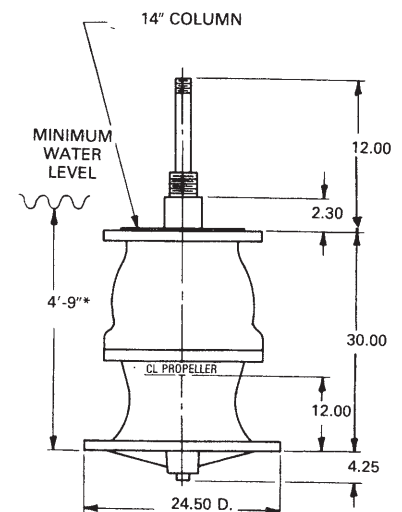
20"
COLUMN
20"
FABRICATED
STEEL ELBOW
1-1/2"
LINESHAFT
2-1/2"
ENCLOSING
TUBE

80
70
60
50
40
30
BHP

DATA	VALUE
PUMP SHAFT DIAMETER	1.6875 IN.
MAXIMUM SPHERE SIZE	2.63 IN.
K _t (THRUST FACTOR)	62 LBS./FT.
K _a (TOTAL ROTOR WEIGHT)	66 LBS.
K _s (SETTING CONSTANT)	5.5 LBS./FT.
WK ²	14 LBS.-FT. ²
BOWL ASSEMBLY WEIGHT	625 LBS.
EYE AREA: PROPELLER NO. A-371.5-T	124.0 SQ. IN. 3 VANE
PROPELLER NO. A-372-T	124.0 SQ. IN. 3 VANE
PROPELLER NO. A-373-T	124.0 SQ. IN. 3 VANE
PROPELLER NO.	
PROPELLER NO.	

HYDRAULIC PERFORMANCE IS CONTINGENT ON FURNISHING THE PUMP WITH SPECIFIED AMOUNT OF CLEAR, FRESH, NON-AERATED WATER NOT TO EXCEED 85° F.

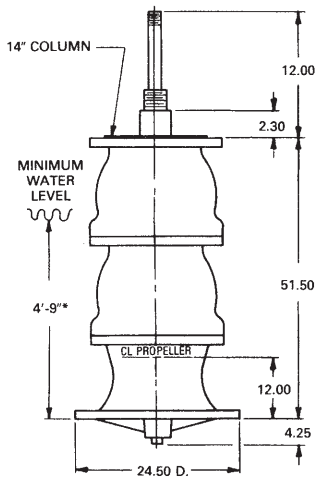
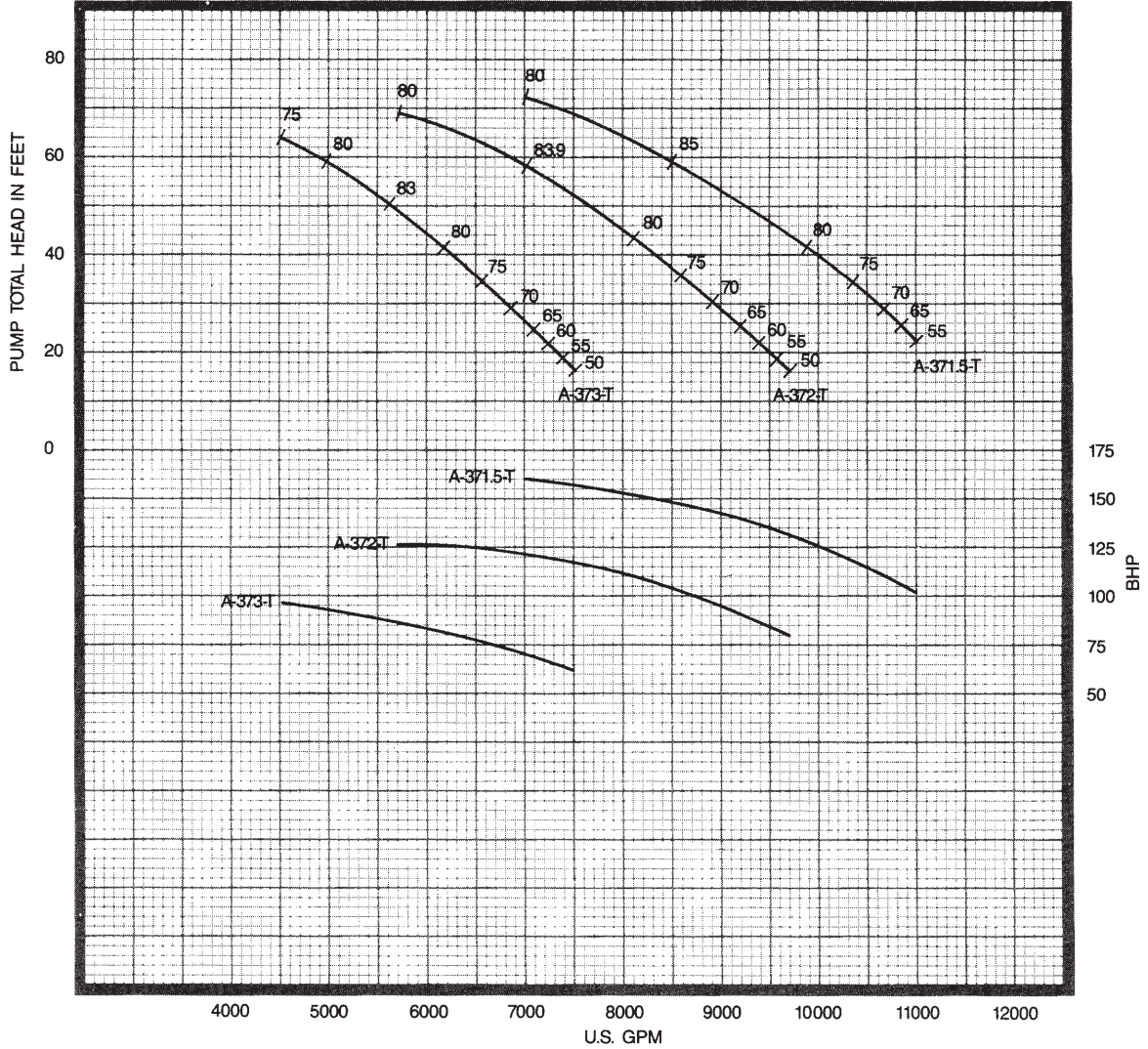
PUMP PERFORMANCE SHOWN IS BOWL ASSEMBLY WITH 10 FEET OF COLUMN INCLUDING A STANDARD ABOVE GROUND DISCHARGE ELBOW. ADDITIONAL COLUMN LOSSES SHOULD BE ADDED WHEN SETTINGS ARE DEEPER THAN 10 FEET AND/OR FOR OTHER DISCHARGE ARRANGEMENTS.



*This value is the minimum submergence required to prevent vortexing only. This value may need to be increased to provide adequate NPSHA.

16"
8312
1170
RPM
2
STAGE

20"
COLUMN
20"
FABRICATED
STEEL ELBOW
1-11/16"
LINESHAFT
2-1/2"
ENCLOSING
TUBE

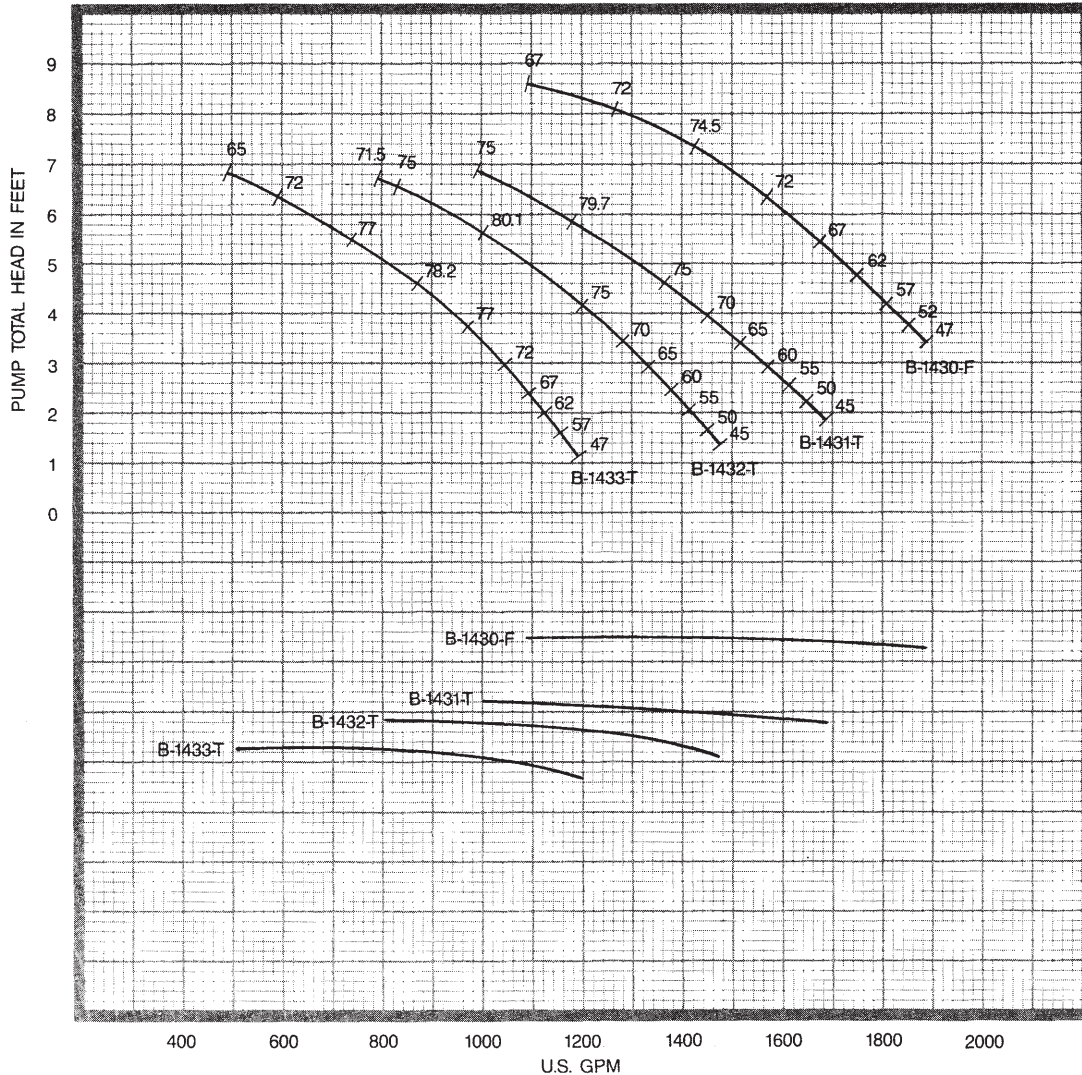


DATA	VALUE
PUMP SHAFT DIAMETER	1.6875 IN.
MAXIMUM SPHERE SIZE	2.63 IN.
K _t (THRUST FACTOR)	62 LBS./FT.
K _a (TOTAL ROTOR WEIGHT)	132 LBS.
K _s (SETTING CONSTANT)	7.6 LBS./FT.
WK ²	28 LBS.-FT. ²
BOWL ASSEMBLY WEIGHT	1025 LBS.
EYE AREA: PROPELLER NO. A-371.5-T	124.0 SQ. IN. 3 VANE
PROPELLER NO. A-372-T	124.0 SQ. IN. 3 VANE
PROPELLER NO. A-373-T	124.0 SQ. IN. 3 VANE
PROPELLER NO.	
PROPELLER NO.	
PROPELLER NO.	

HYDRAULIC PERFORMANCE IS CONTINGENT ON FURNISHING THE PUMP WITH SPECIFIED AMOUNT OF CLEAR, FRESH, NON-AERATED WATER NOT TO EXCEED 85° F.

PUMP PERFORMANCE SHOWN IS BOWL ASSEMBLY WITH 10 FEET OF COLUMN INCLUDING A STANDARD ABOVE GROUND DISCHARGE ELBOW. ADDITIONAL COLUMN LOSSES SHOULD BE ADDED WHEN SETTINGS ARE DEEPER THAN 10 FEET AND/OR FOR OTHER DISCHARGE ARRANGEMENTS.

*This value is the minimum submergence required to prevent vortexing only. This value may need to be increased to provide adequate NPSHA.



10"
8312

880
RPM

1
STAGE

10"
COLUMN

10"
CAST IRON
ELBOW

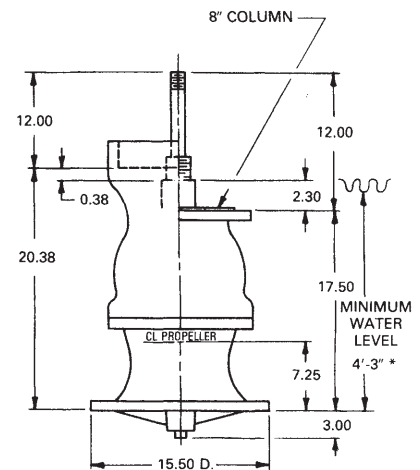
1"
LINESHAFT

1-1/2"
ENCLOSING
TUBE

DATA	VALUE
PUMP SHAFT DIAMETER	1.1875 IN.
MAXIMUM SPHERE SIZE	1.5 IN.
K _t (THRUST FACTOR)	20 LBS./FT.
K _a (TOTAL ROTOR WEIGHT)	17 LBS.
K _s (SETTING CONSTANT)	2.8 LBS./FT.
WK ²	1.1 LBS.-FT. ²
BOWL ASSEMBLY WEIGHT	265 LBS.
EYE AREA: PROPELLER NO. B-1430-F	41.0 SQ. IN. 4 VANE
PROPELLER NO. B-1431-T	41.0 SQ. IN. 3 VANE
PROPELLER NO. B-1432-T	41.0 SQ. IN. 3 VANE
PROPELLER NO. B-1433-T	41.0 SQ. IN. 3 VANE
PROPELLER NO.	
PROPELLER NO.	

HYDRAULIC PERFORMANCE IS CONTINGENT ON FURNISHING THE PUMP WITH SPECIFIED AMOUNT OF CLEAR, FRESH, NON-AERATED WATER NOT TO EXCEED 85° F.

PUMP PERFORMANCE SHOWN IS BOWL ASSEMBLY WITH 10 FEET OF COLUMN INCLUDING A STANDARD ABOVE GROUND DISCHARGE ELBOW. ADDITIONAL COLUMN LOSSES SHOULD BE ADDED WHEN SETTINGS ARE DEEPER THAN 10 FEET AND/OR FOR OTHER DISCHARGE ARRANGEMENTS.



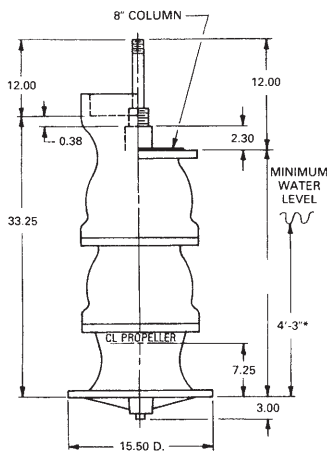
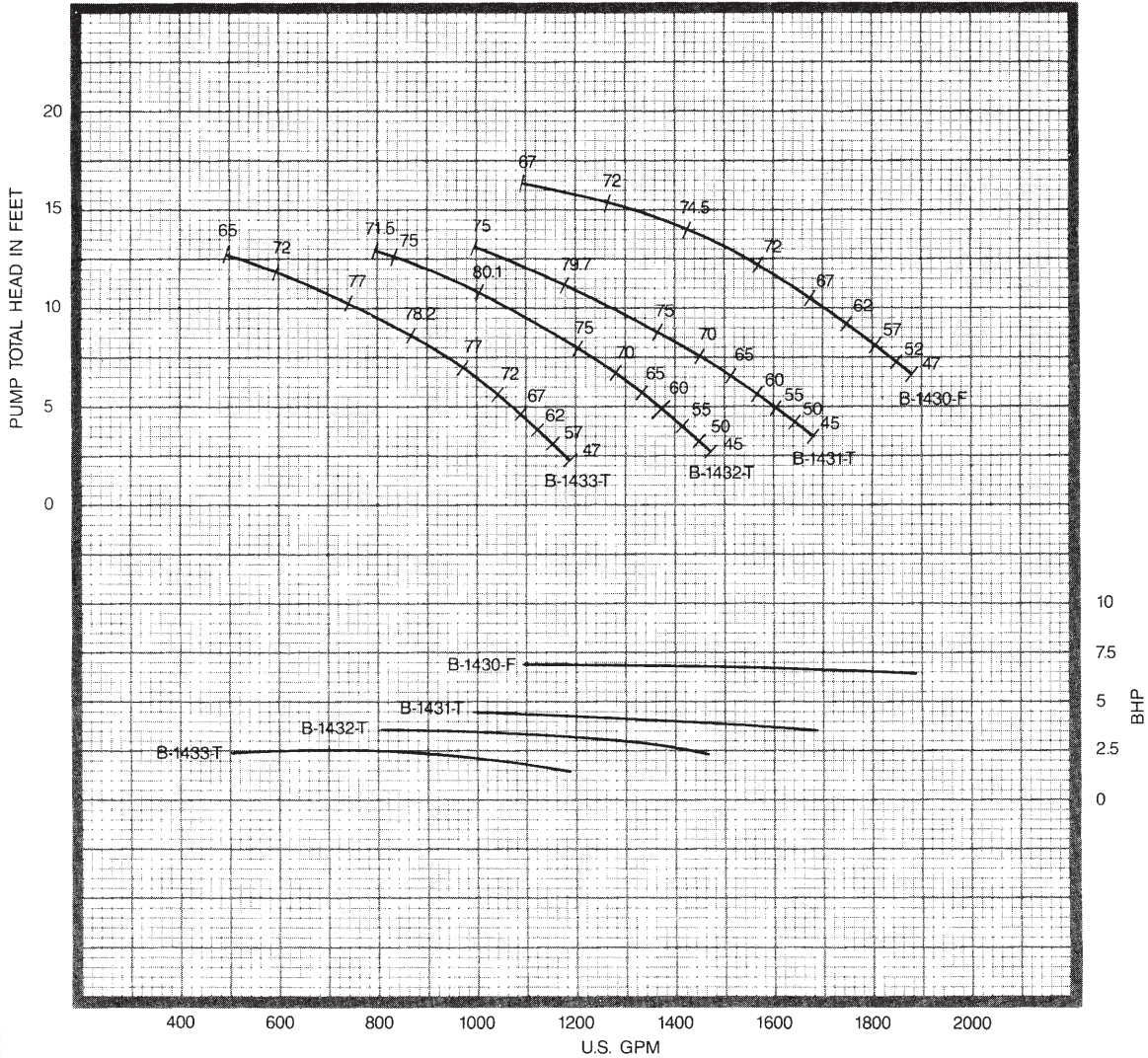
*This value is the minimum submergence required to prevent vortexing only. This value may need to be increased to provide adequate NPSHA.

10"
8312

880
RPM

2
STAGE

10"
COLUMN
10"
CAST IRON
ELBOW
1-1/4"
LINESHAFT
2"
ENCLOSING
TUBE

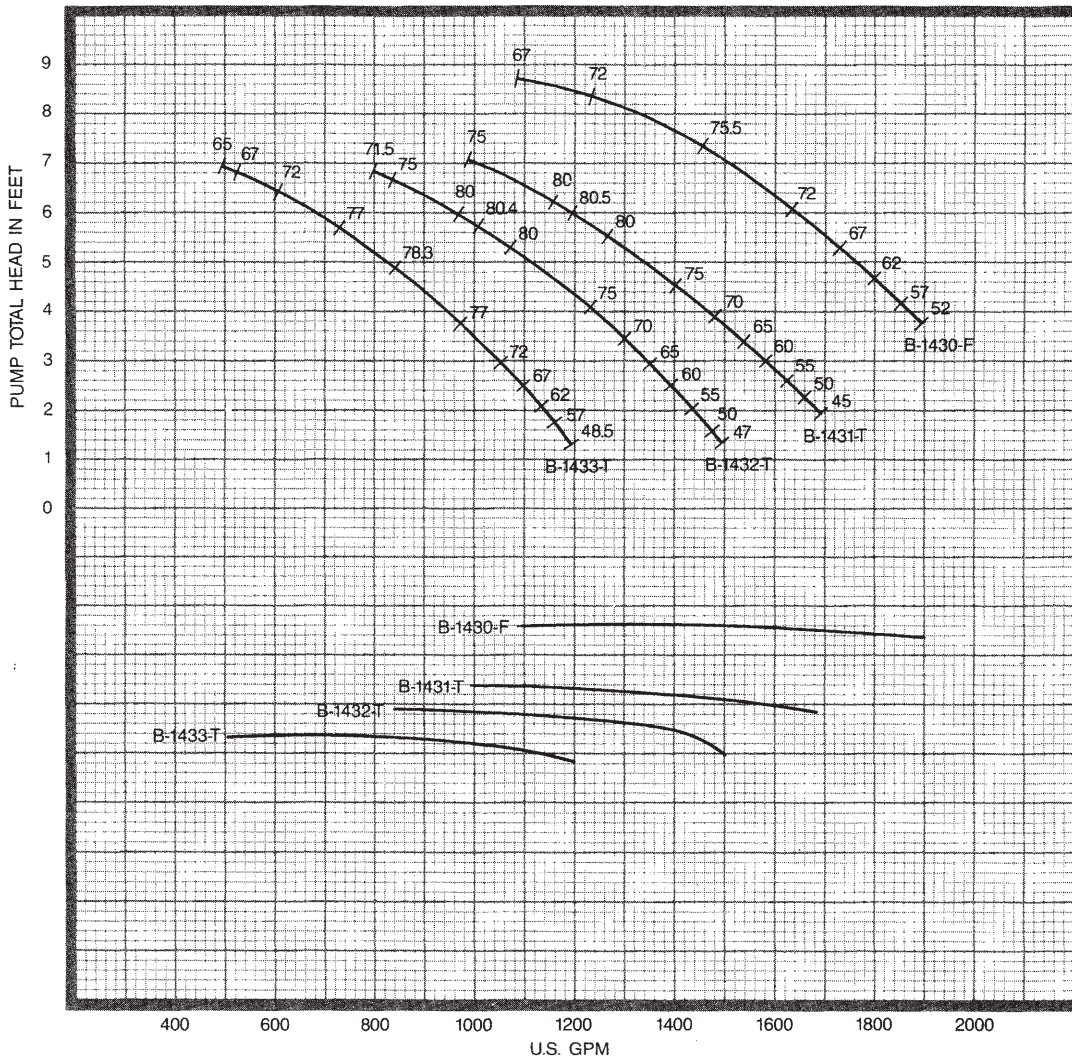


DATA	VALUE
PUMP SHAFT DIAMETER	1.1875 IN.
MAXIMUM SPHERE SIZE	1.5 IN.
K _t (THRUST FACTOR)	20 LBS./FT.
K _a (TOTAL ROTOR WEIGHT)	34 LBS.
K _s (SETTING CONSTANT)	3.8 LBS./FT.
WK ²	2.2 LBS.-FT. ²
BOWL ASSEMBLY WEIGHT	385 LBS.
EYE AREA: PROPELLER NO. B-1430-F	41.0 SQ. IN. 4 VANE
PROPELLER NO. B-1431-T	41.0 SQ. IN. 3 VANE
PROPELLER NO. B-1432-T	41.0 SQ. IN. 3 VANE
PROPELLER NO. B-1433-T	41.0 SQ. IN. 3 VANE
PROPELLER NO.	
PROPELLER NO.	

HYDRAULIC PERFORMANCE IS CONTINGENT ON FURNISHING THE PUMP WITH SPECIFIED AMOUNT OF CLEAR, FRESH, NON-AERATED WATER NOT TO EXCEED 85° F.

PUMP PERFORMANCE SHOWN IS BOWL ASSEMBLY WITH 10 FEET OF COLUMN INCLUDING A STANDARD ABOVE GROUND DISCHARGE ELBOW. ADDITIONAL COLUMN LOSSES SHOULD BE ADDED WHEN SETTINGS ARE DEEPER THAN 10 FEET AND/OR FOR OTHER DISCHARGE ARRANGEMENTS.

*This value is the minimum submergence required to prevent vortexing only. This value may need to be increased to provide adequate NPSHA.



10"
8312
880
RPM
1
STAGE

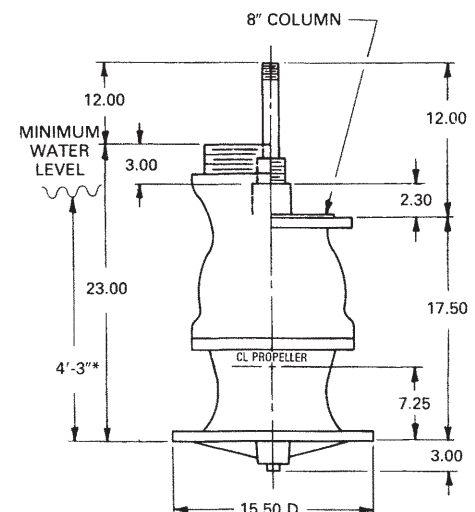
12"
COLUMN
12"
CAST IRON
ELBOW
1"
LINESHAFT
1-1/2"
ENCLOSING
TUBE

4
3
2
1
0
BHP

DATA	VALUE
PUMP SHAFT DIAMETER	1.1875 IN.
MAXIMUM SPHERE SIZE	1.5 IN.
K _t (THRUST FACTOR)	20 LBS./FT.
K _a (TOTAL ROTOR WEIGHT)	17 LBS.
K _s (SETTING CONSTANT)	2.8 LBS./FT.
WK ²	1.1 LBS.-FT. ²
BOWL ASSEMBLY WEIGHT	325 LBS.
EYE AREA: PROPELLER NO. B-1430-F	41.0 SQ. IN. 4 VANE
PROPELLER NO. B-1431-T	41.0 SQ. IN. 3 VANE
PROPELLER NO. B-1432-T	41.0 SQ. IN. 3 VANE
PROPELLER NO. B-1433-T	41.0 SQ. IN. 3 VANE
PROPELLER NO.	
PROPELLER NO.	

HYDRAULIC PERFORMANCE IS CONTINGENT ON FURNISHING THE PUMP WITH SPECIFIED AMOUNT OF CLEAR, FRESH, NON-AERATED WATER NOT TO EXCEED 85° F.

PUMP PERFORMANCE SHOWN IS BOWL ASSEMBLY WITH 10 FEET OF COLUMN INCLUDING A STANDARD ABOVE GROUND DISCHARGE ELBOW. ADDITIONAL COLUMN LOSSES SHOULD BE ADDED WHEN SETTINGS ARE DEEPER THAN 10 FEET AND/OR FOR OTHER DISCHARGE ARRANGEMENTS.



*This value is the minimum submergence required to prevent vortexing only. This value may need to be increased to provide adequate NPSHA.

10"
8312

880
RPM

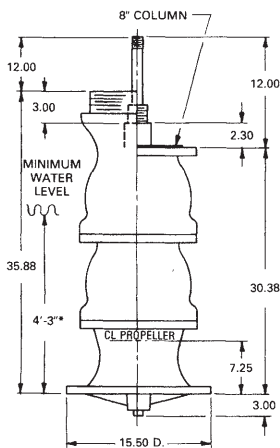
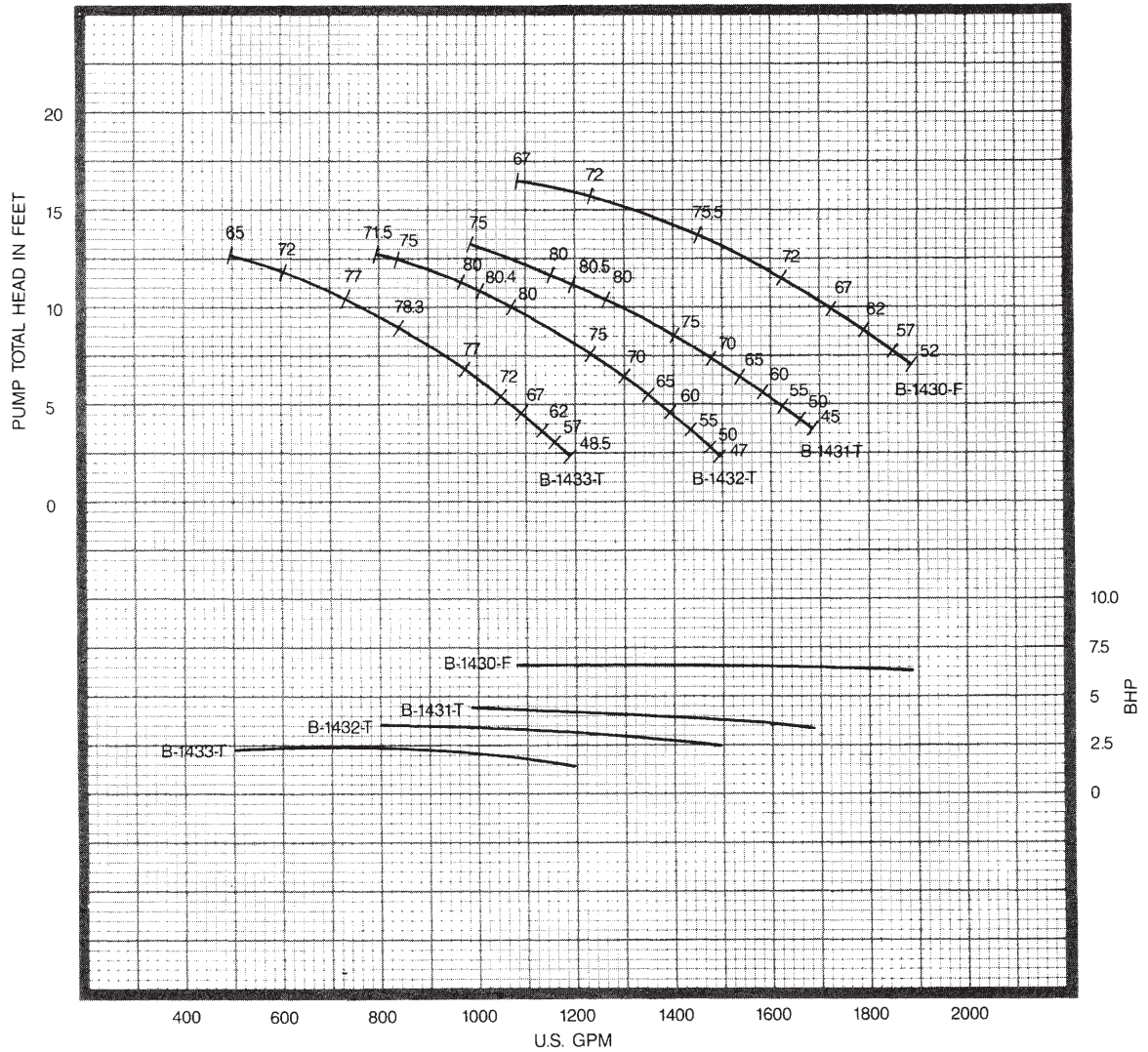
2
STAGE

12"
COLUMN

12"
CAST IRON
ELBOW

1-1/4"
LINESHAFT

2"
ENCLOSING
TUBE

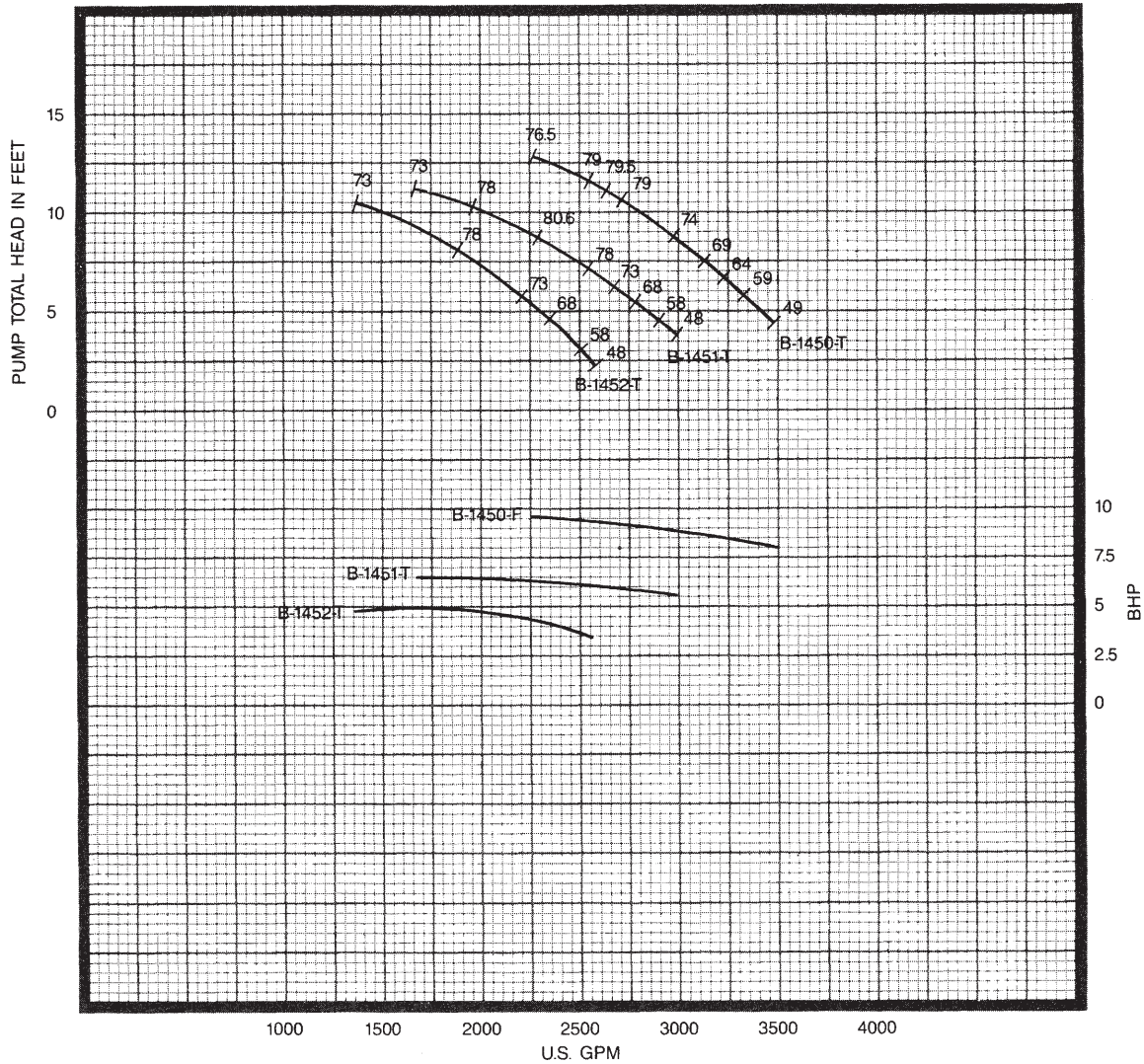


DATA	VALUE
PUMP SHAFT DIAMETER	1.1875 IN.
MAXIMUM SPHERE SIZE	1.5 IN.
K _t (THRUST FACTOR)	20 LBS./FT.
K _a (TOTAL ROTOR WEIGHT)	34 LBS.
K _s (SETTING CONSTANT)	3.8 LBS./FT.
WK ²	2.2 LBS.-FT. ²
BOWL ASSEMBLY WEIGHT	445 LBS.
EYE AREA: PROPELLER NO. B-1430-F	41.0 SQ. IN. 4 VANE
PROPELLER NO. B-1431-T	41.0 SQ. IN. 3 VANE
PROPELLER NO. B-1432-T	41.0 SQ. IN. 3 VANE
PROPELLER NO. B-1433-T	41.0 SQ. IN. 3 VANE
PROPELLER NO.	
PROPELLER NO.	

HYDRAULIC PERFORMANCE IS CONTINGENT ON FURNISHING THE PUMP WITH SPECIFIED AMOUNT OF CLEAR, FRESH, NON-AERATED WATER NOT TO EXCEED 85° F.

PUMP PERFORMANCE SHOWN IS BOWL ASSEMBLY WITH 10 FEET OF COLUMN INCLUDING A STANDARD ABOVE GROUND DISCHARGE ELBOW. ADDITIONAL COLUMN LOSSES SHOULD BE ADDED WHEN SETTINGS ARE DEEPER THAN 10 FEET AND/OR FOR OTHER DISCHARGE ARRANGEMENTS.

*This value is the minimum submergence required to prevent vortexing only. This value may need to be increased to provide adequate NPSHA.



12"
8312

880
RPM

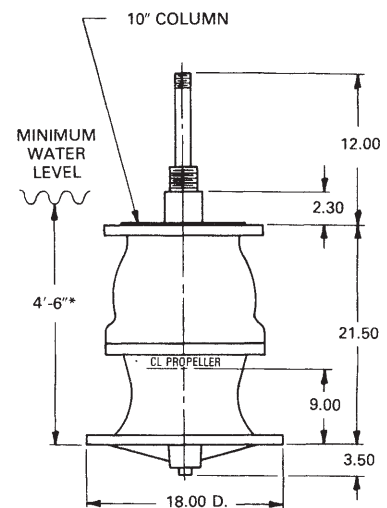
1
STAGE

12"
COLUMN
12"
CAST IRON
ELBOW
1"
LINESHAFT
1-1/2"
ENCLOSING
TUBE

DATA	VALUE
PUMP SHAFT DIAMETER	1.4375 IN.
MAXIMUM SPHERE SIZE	1.88 IN.
Kt (THRUST FACTOR)	31 LBS./FT.
Ka (TOTAL ROTOR WEIGHT)	28 LBS.
Ks (SETTING CONSTANT)	2.8 LBS./FT.
WK ²	3.1 LBS.-FT. ²
BOWL ASSEMBLY WEIGHT	430 LBS.
EYE AREA: PROPELLER NO. B-1450-F	63.0 SQ. IN. 4 VANE
PROPELLER NO. B-1451-T	63.0 SQ. IN. 3 VANE
PROPELLER NO. B-1452-T	63.0 SQ. IN. 3 VANE
PROPELLER NO.	
PROPELLER NO.	
PROPELLER NO.	

HYDRAULIC PERFORMANCE IS CONTINGENT ON FURNISHING THE PUMP WITH SPECIFIED AMOUNT OF CLEAR, FRESH, NON-AERATED WATER NOT TO EXCEED 85° F.

PUMP PERFORMANCE SHOWN IS BOWL ASSEMBLY WITH 10 FEET OF COLUMN INCLUDING A STANDARD ABOVE GROUND DISCHARGE ELBOW. ADDITIONAL COLUMN LOSSES SHOULD BE ADDED WHEN SETTINGS ARE DEEPER THAN 10 FEET AND/OR FOR OTHER DISCHARGE ARRANGEMENTS.



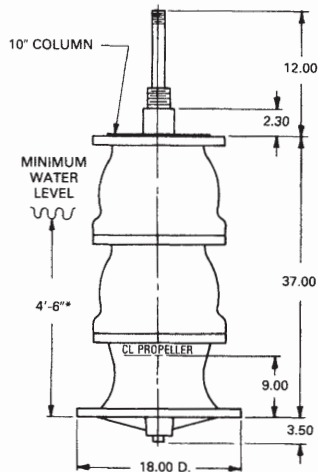
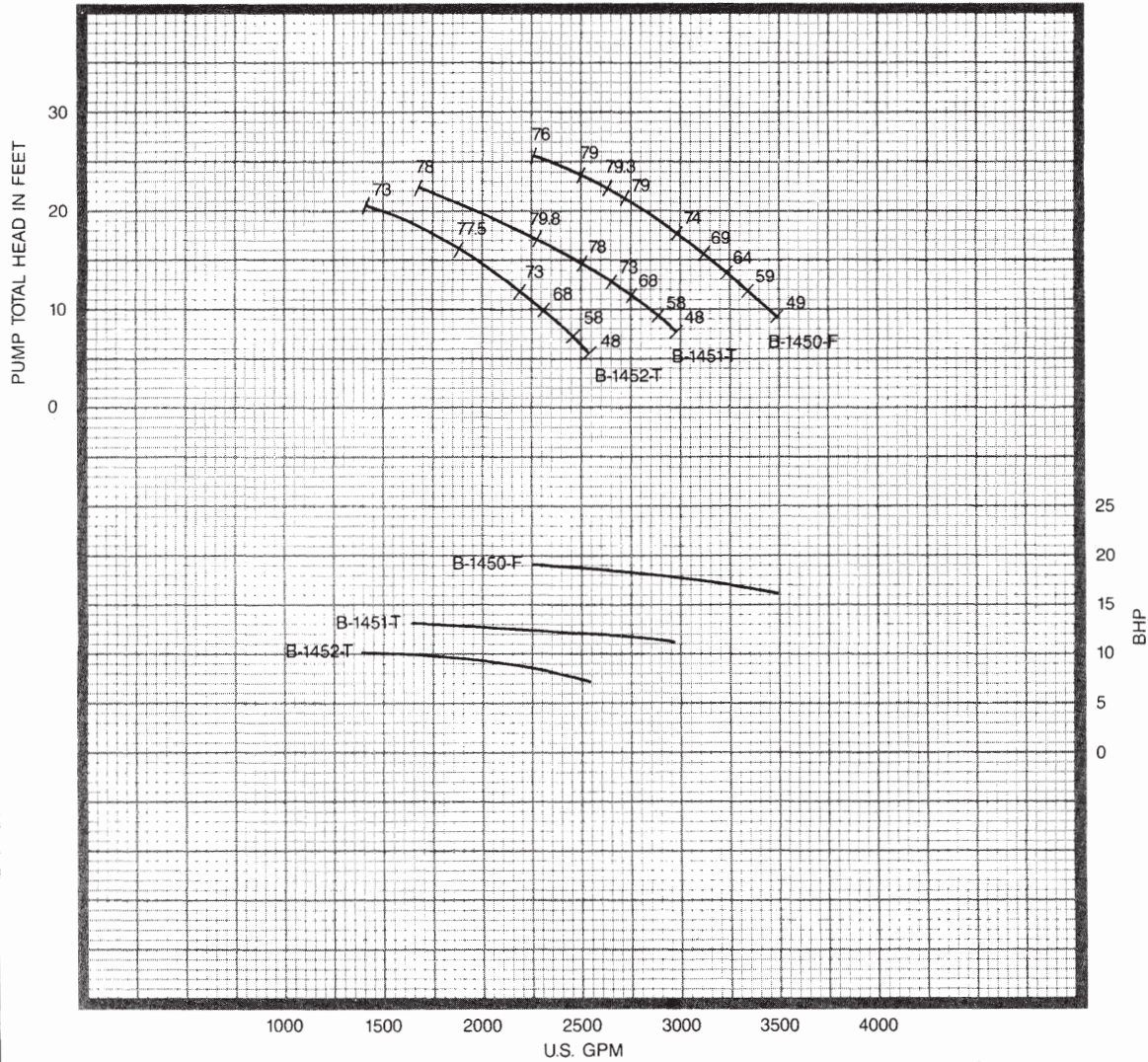
*This value is the minimum submergence required to prevent vortexing only. This value may need to be increased to provide adequate NPSHA.

12"
8312

880
RPM

2
STAGE

12"
COLUMN
12"
CAST IRON
ELBOW
1-1/4"
LINESHAFT
2"
ENCLOSING
TUBE

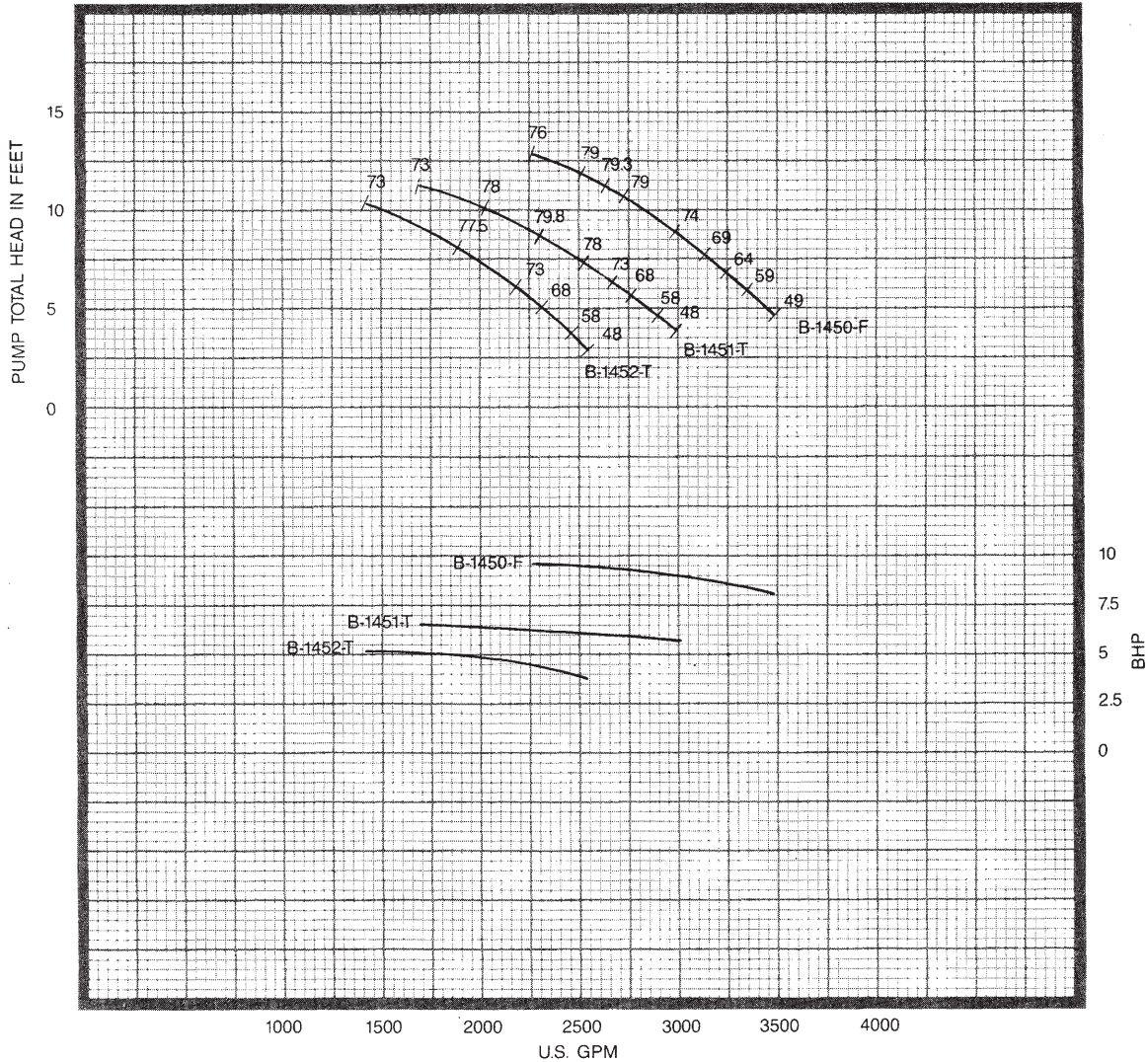


*This value is the minimum submergence required to prevent vortexing only. This value may need to be increased to provide adequate NPSHA.

DATA	VALUE
PUMP SHAFT DIAMETER	1.4375 IN.
MAXIMUM SPHERE SIZE	1.88 IN.
K _t (THRUST FACTOR)	31 LBS./FT.
K _a (TOTAL ROTOR WEIGHT)	56 LBS.
K _s (SETTING CONSTANT)	3.8 LBS./FT.
WK ²	6.2 LBS.-FT. ²
BOWL ASSEMBLY WEIGHT	650 LBS.
EYE AREA: PROPELLER NO. B-1450-F	63.0 SQ. IN. 4 VANE
PROPELLER NO. B-1451-T	63.0 SQ. IN. 3 VANE
PROPELLER NO. B-1452-T	63.0 SQ. IN. 3 VANE
PROPELLER NO.	
PROPELLER NO.	

HYDRAULIC PERFORMANCE IS CONTINGENT ON FURNISHING THE PUMP WITH SPECIFIED AMOUNT OF CLEAR, FRESH, NON-AERATED WATER NOT TO EXCEED 85° F.

PUMP PERFORMANCE SHOWN IS BOWL ASSEMBLY WITH 10 FEET OF COLUMN INCLUDING A STANDARD ABOVE GROUND DISCHARGE ELBOW. ADDITIONAL COLUMN LOSSES SHOULD BE ADDED WHEN SETTINGS ARE DEEPER THAN 10 FEET AND/OR FOR OTHER DISCHARGE ARRANGEMENTS.



12"
8312

880
RPM

1
STAGE

14"
COLUMN

14"
CAST IRON
ELBOW

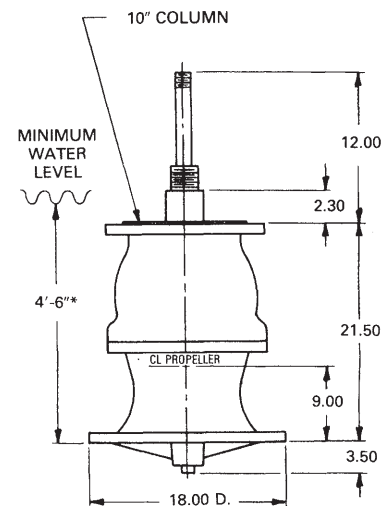
1"
LINESHAFT

1-1/2"
ENCLOSING
TUBE

DATA	VALUE
PUMP SHAFT DIAMETER	1.4375 IN.
MAXIMUM SPHERE SIZE	1.88 IN.
K _t (THRUST FACTOR)	31 LBS./FT.
K _a (TOTAL ROTOR WEIGHT)	28 LBS.
K _s (SETTING CONSTANT)	2.8 LBS./FT.
WK ²	3.1 LBS.-FT. ²
BOWL ASSEMBLY WEIGHT	430 LBS.
EYE AREA: PROPELLER NO. B-1450-F	63.0 SQ. IN. 4 VANE
PROPELLER NO. B-1451-T	63.0 SQ. IN. 3 VANE
PROPELLER NO. B-1452-T	63.0 SQ. IN. 3 VANE
PROPELLER NO.	
PROPELLER NO.	

HYDRAULIC PERFORMANCE IS CONTINGENT ON FURNISHING THE PUMP WITH SPECIFIED AMOUNT OF CLEAR, FRESH, NON-AERATED WATER NOT TO EXCEED 85° F.

PUMP PERFORMANCE SHOWN IS BOWL ASSEMBLY WITH 10 FEET OF COLUMN INCLUDING A STANDARD ABOVE GROUND DISCHARGE ELBOW. ADDITIONAL COLUMN LOSSES SHOULD BE ADDED WHEN SETTINGS ARE DEEPER THAN 10 FEET AND/OR FOR OTHER DISCHARGE ARRANGEMENTS.



*This value is the minimum submergence required to prevent vortexing only. This value may need to be increased to provide adequate NPSHA.

12"
8312

880
RPM

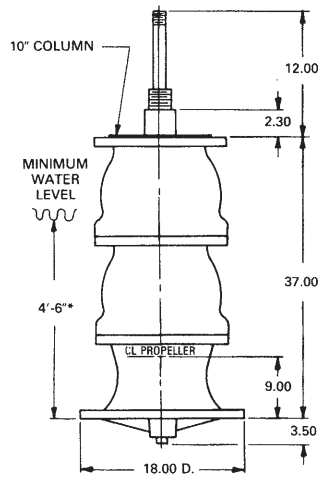
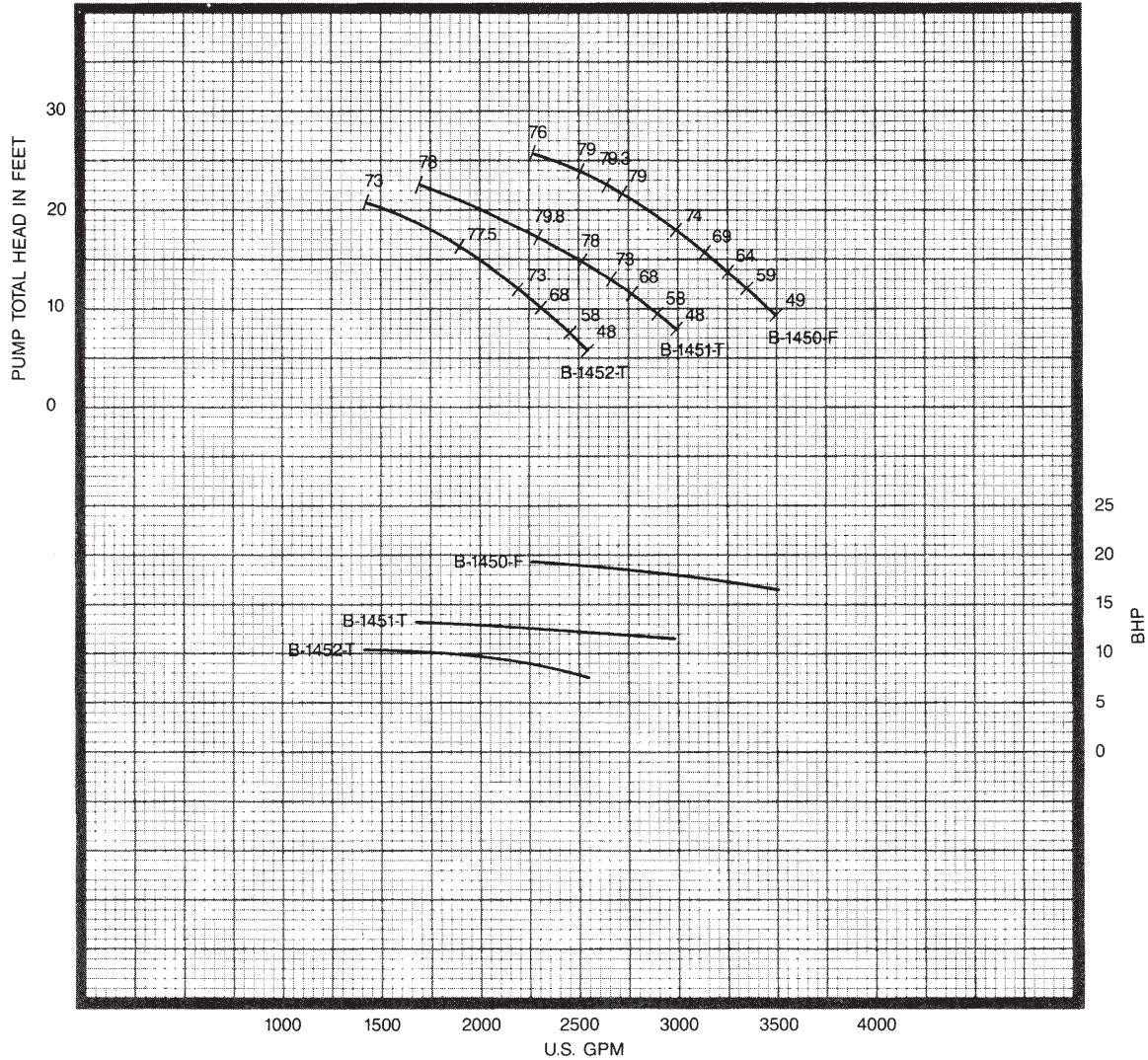
2
STAGE

14"
COLUMN

14"
CAST IRON
ELBOW

1-1/4"
LINESHAFT

2"
ENCLOSING
TUBE

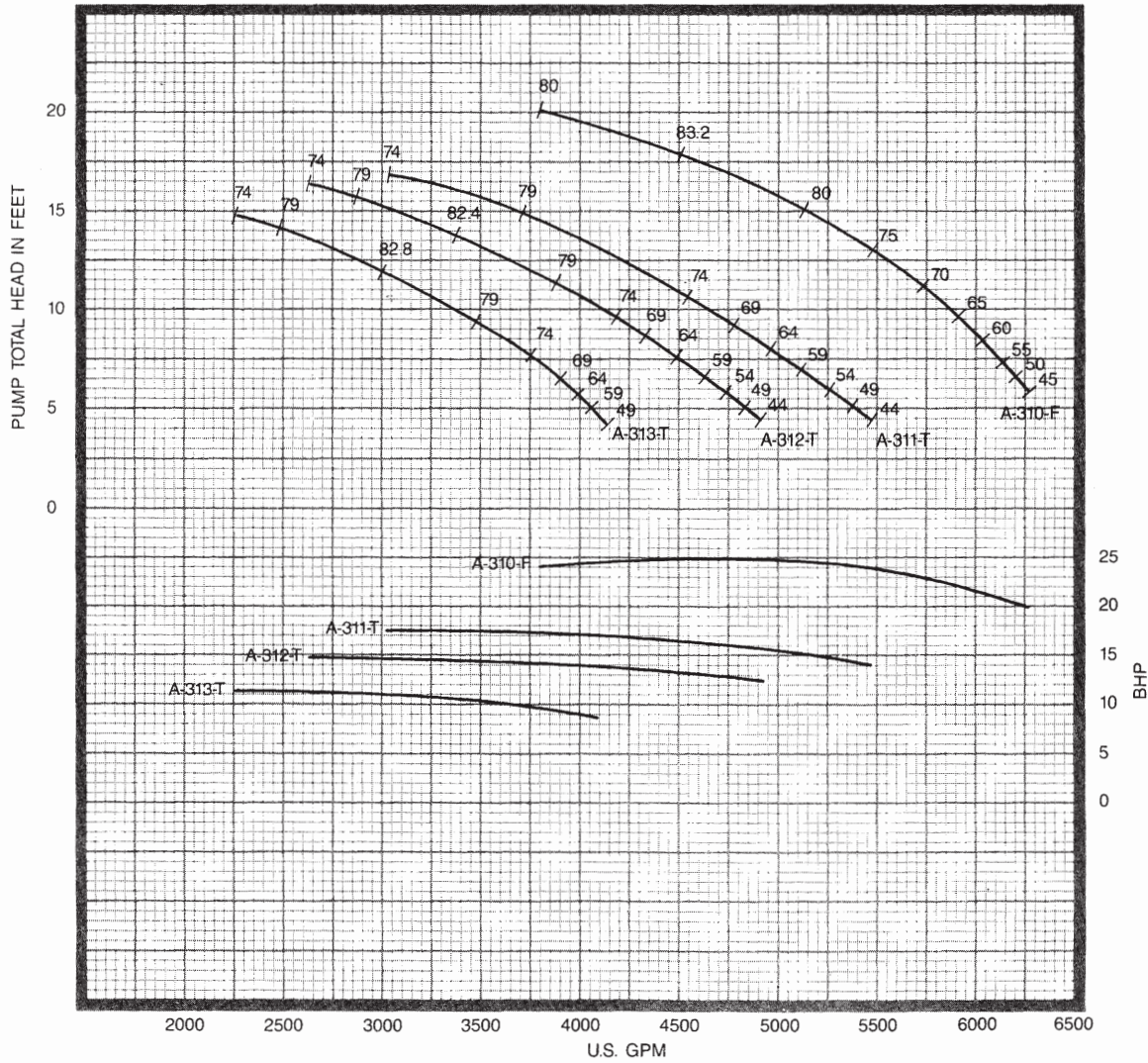


DATA	VALUE
PUMP SHAFT DIAMETER	1.4375 IN.
MAXIMUM SPHERE SIZE	1.88 IN.
K _t (THRUST FACTOR)	31 LBS./FT.
K _a (TOTAL ROTOR WEIGHT)	56 LBS.
K _s (SETTING CONSTANT)	3.8 LBS./FT.
WK ²	6.2 LBS.-FT. ²
BOWL ASSEMBLY WEIGHT	650 LBS.
EYE AREA: PROPELLER NO. B-1450-F	63.0 SQ. IN. 4 VANE
PROPELLER NO. B-1451-T	63.0 SQ. IN. 3 VANE
PROPELLER NO. B-1452-T	63.0 SQ. IN. 3 VANE
PROPELLER NO.	
PROPELLER NO.	
PROPELLER NO.	

HYDRAULIC PERFORMANCE IS CONTINGENT ON FURNISHING THE PUMP WITH SPECIFIED AMOUNT OF CLEAR, FRESH, NON-AERATED WATER NOT TO EXCEED 85° F.

PUMP PERFORMANCE SHOWN IS BOWL ASSEMBLY WITH 10 FEET OF COLUMN INCLUDING A STANDARD ABOVE GROUND DISCHARGE ELBOW. ADDITIONAL COLUMN LOSSES SHOULD BE ADDED WHEN SETTINGS ARE DEEPER THAN 10 FEET AND/OR FOR OTHER DISCHARGE ARRANGEMENTS.

*This value is the minimum submergence required to prevent vortexing only. This value may need to be increased to provide adequate NPSHA.



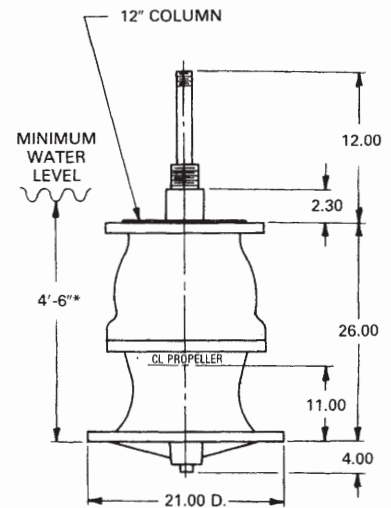
14"
8312
880
RPM
1
STAGE

14"
COLUMN
14"
CAST IRON
ELBOW
1-1/2"
LINESHAFT
2-1/2"
ENCLOSING
TUBE

DATA	VALUE
PUMP SHAFT DIAMETER	1.6875 IN.
MAXIMUM SPHERE SIZE	2.25 IN.
K _t (THRUST FACTOR)	46 LBS./FT.
K _a (TOTAL ROTOR WEIGHT)	45 LBS.
K _s (SETTING CONSTANT)	5.5 LBS./FT.
WK ²	7.1 LBS.-FT. ²
BOWL ASSEMBLY WEIGHT	595 LBS.
EYE AREA: PROPELLER NO. A-310-F	92.0 SQ. IN. 4 VANE
PROPELLER NO. A-311-T	92.0 SQ. IN. 3 VANE
PROPELLER NO. A-312-T	92.0 SQ. IN. 3 VANE
PROPELLER NO. A-313-T	92.0 SQ. IN. 3 VANE
PROPELLER NO.	
PROPELLER NO.	

HYDRAULIC PERFORMANCE IS CONTINGENT ON FURNISHING THE PUMP WITH SPECIFIED AMOUNT OF CLEAR, FRESH, NON-AERATED WATER NOT TO EXCEED 85° F.

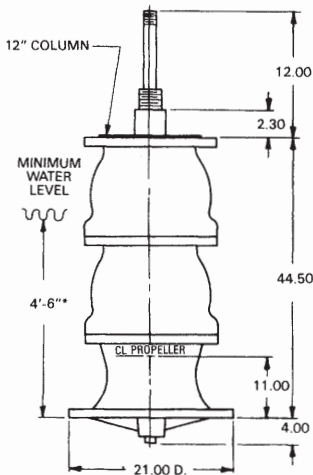
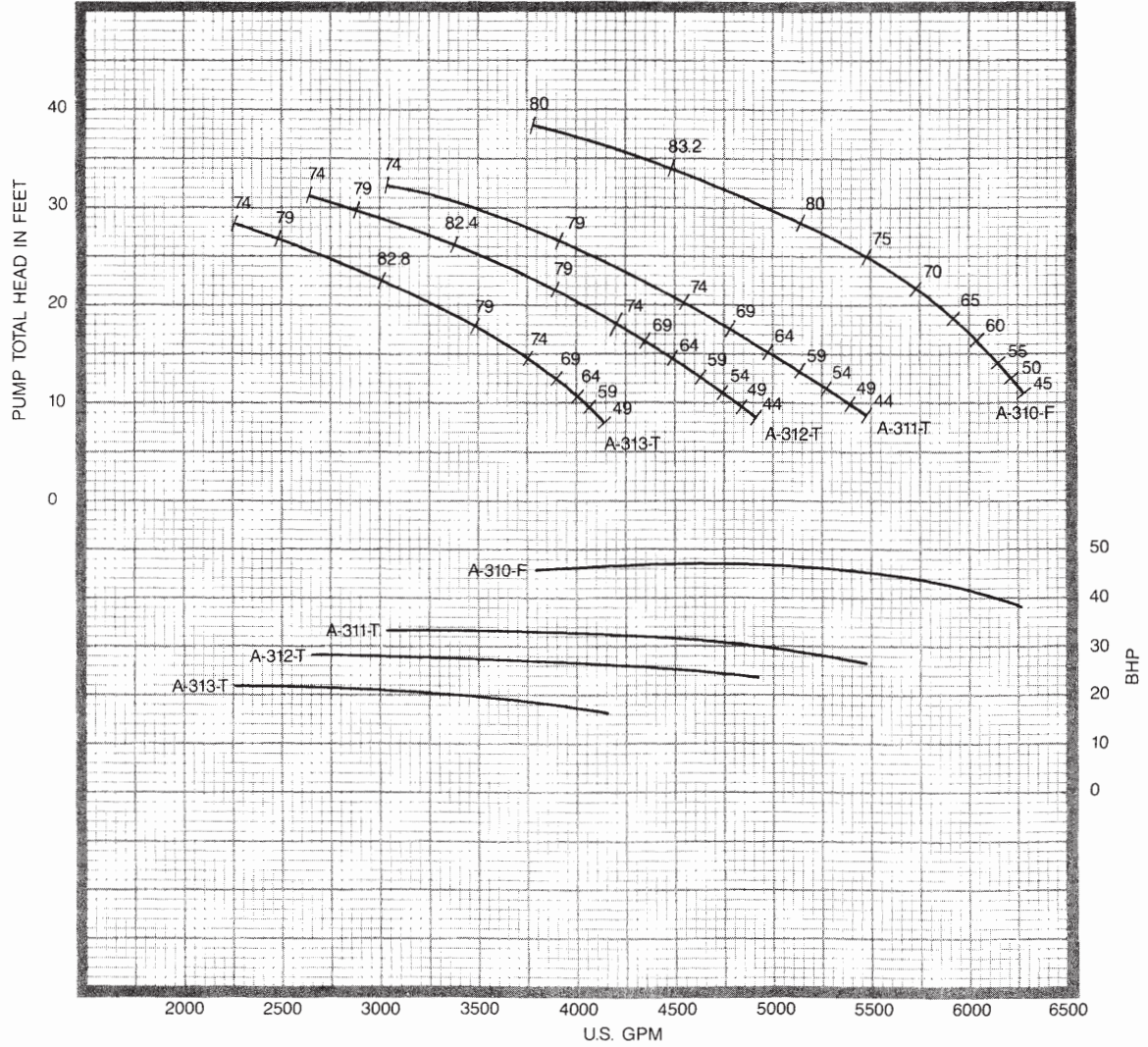
PUMP PERFORMANCE SHOWN IS BOWL ASSEMBLY WITH 10 FEET OF COLUMN INCLUDING A STANDARD ABOVE GROUND DISCHARGE ELBOW. ADDITIONAL COLUMN LOSSES SHOULD BE ADDED WHEN SETTINGS ARE DEEPER THAN 10 FEET AND/OR FOR OTHER DISCHARGE ARRANGEMENTS.



*This value is the minimum submergence required to prevent vortexing only. This value may need to be increased to provide adequate NPSHA.

14"
8312
880
RPM
2
STAGE

14"
COLUMN
14"
CAST IRON
ELBOW
1-11/16"
LINESHAFT
2-1/2"
ENCLOSING
TUBE

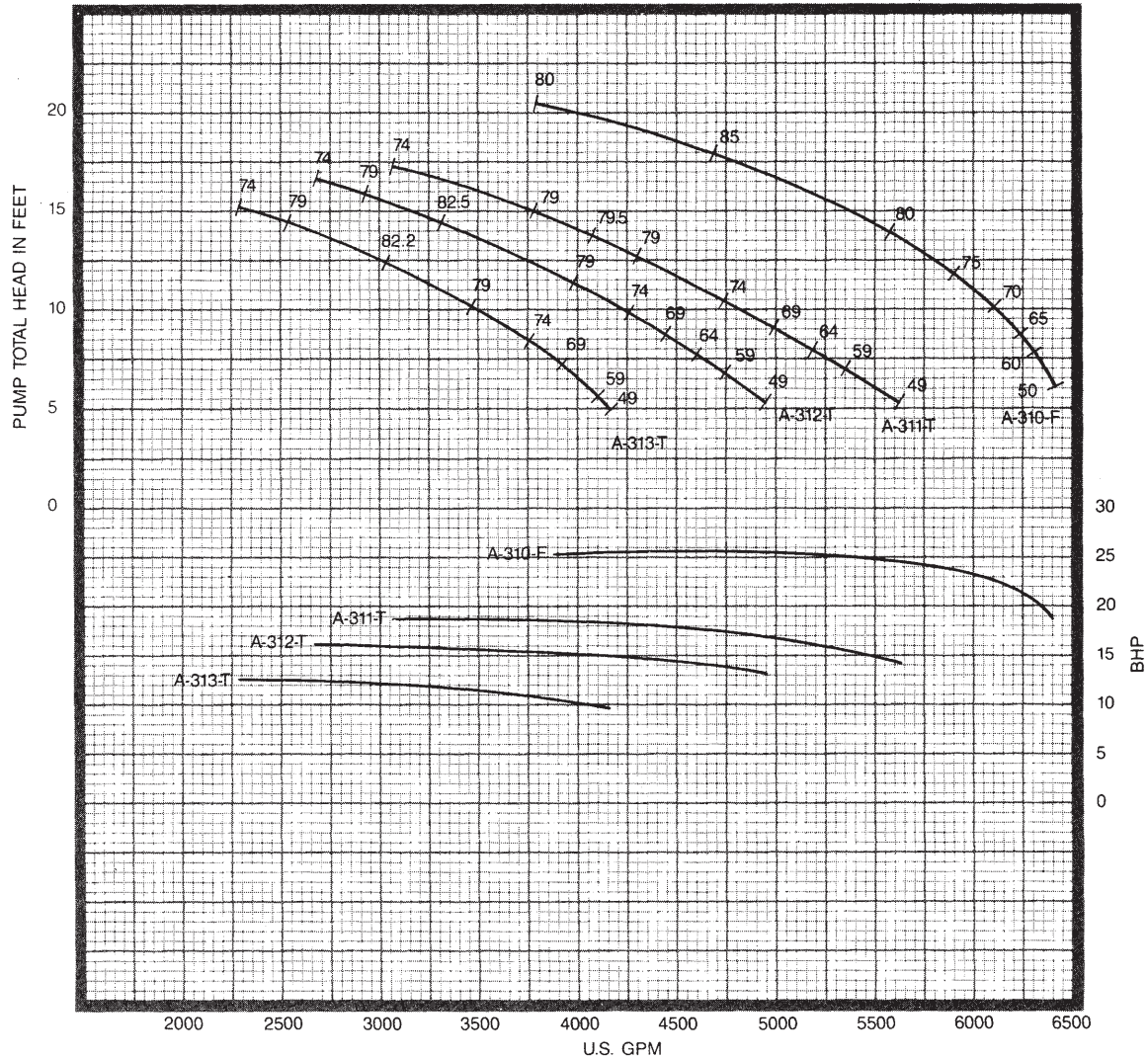


*This value is the minimum submergence required to prevent vortexing only. This value may need to be increased to provide adequate NPSHA.

DATA	VALUE
PUMP SHAFT DIAMETER	1.6875 IN.
MAXIMUM SPHERE SIZE	2.25 IN.
K _t (THRUST FACTOR)	46 LBS./FT.
K _a (TOTAL ROTOR WEIGHT)	90 LBS.
K _s (SETTING CONSTANT)	7.6 LBS./FT.
WK ²	14.2 LBS.-FT. ²
BOWL ASSEMBLY WEIGHT	770 LBS.
EYE AREA: PROPELLER NO. A-310-F	92.0 SQ. IN. 4 VANE
PROPELLER NO. A-311-T	92.0 SQ. IN. 3 VANE
PROPELLER NO. A-312-T	92.0 SQ. IN. 3 VANE
PROPELLER NO. A-313-T	92.0 SQ. IN. 3 VANE
PROPELLER NO.	
PROPELLER NO.	

HYDRAULIC PERFORMANCE IS CONTINGENT ON FURNISHING THE PUMP WITH SPECIFIED AMOUNT OF CLEAR, FRESH, NON-AERATED WATER NOT TO EXCEED 85° F.

PUMP PERFORMANCE SHOWN IS BOWL ASSEMBLY WITH 10 FEET OF COLUMN INCLUDING A STANDARD ABOVE GROUND DISCHARGE ELBOW. ADDITIONAL COLUMN LOSSES SHOULD BE ADDED WHEN SETTINGS ARE DEEPER THAN 10 FEET AND/OR FOR OTHER DISCHARGE ARRANGEMENTS.



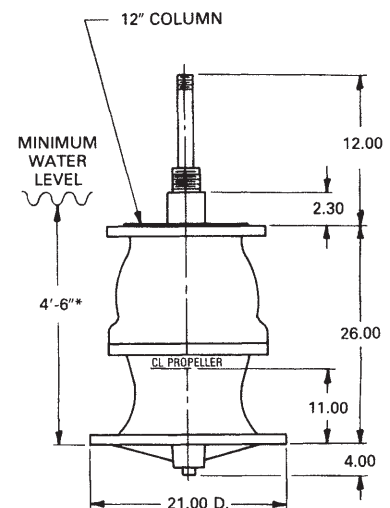
14"
8312
880
RPM
1
STAGE

16"
COLUMN
16"
FABRICATED
STEEL ELBOW
1-1/2"
LINESHAFT
2-1/2"
ENCLOSING
TUBE

DATA	VALUE
PUMP SHAFT DIAMETER	1.6875 IN.
MAXIMUM SPHERE SIZE	2.25 IN.
K _t (THRUST FACTOR)	46 LBS./FT.
K _a (TOTAL ROTOR WEIGHT)	45 LBS.
K _s (SETTING CONSTANT)	5.5 LBS./FT.
WK ²	7.1 LBS.-FT. ²
BOWL ASSEMBLY WEIGHT	425 LBS.
EYE AREA: PROPELLER NO. A-310-F	92.0 SQ. IN. 4 VANE
PROPELLER NO. A-311-T	92.0 SQ. IN. 3 VANE
PROPELLER NO. A-312-T	92.0 SQ. IN. 3 VANE
PROPELLER NO. A-313-T	92.0 SQ. IN. 3 VANE
PROPELLER NO.	
PROPELLER NO.	

HYDRAULIC PERFORMANCE IS CONTINGENT ON FURNISHING THE PUMP WITH SPECIFIED AMOUNT OF CLEAR, FRESH, NON-AERATED WATER NOT TO EXCEED 85° F.

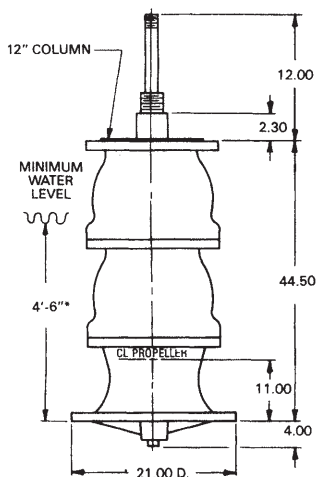
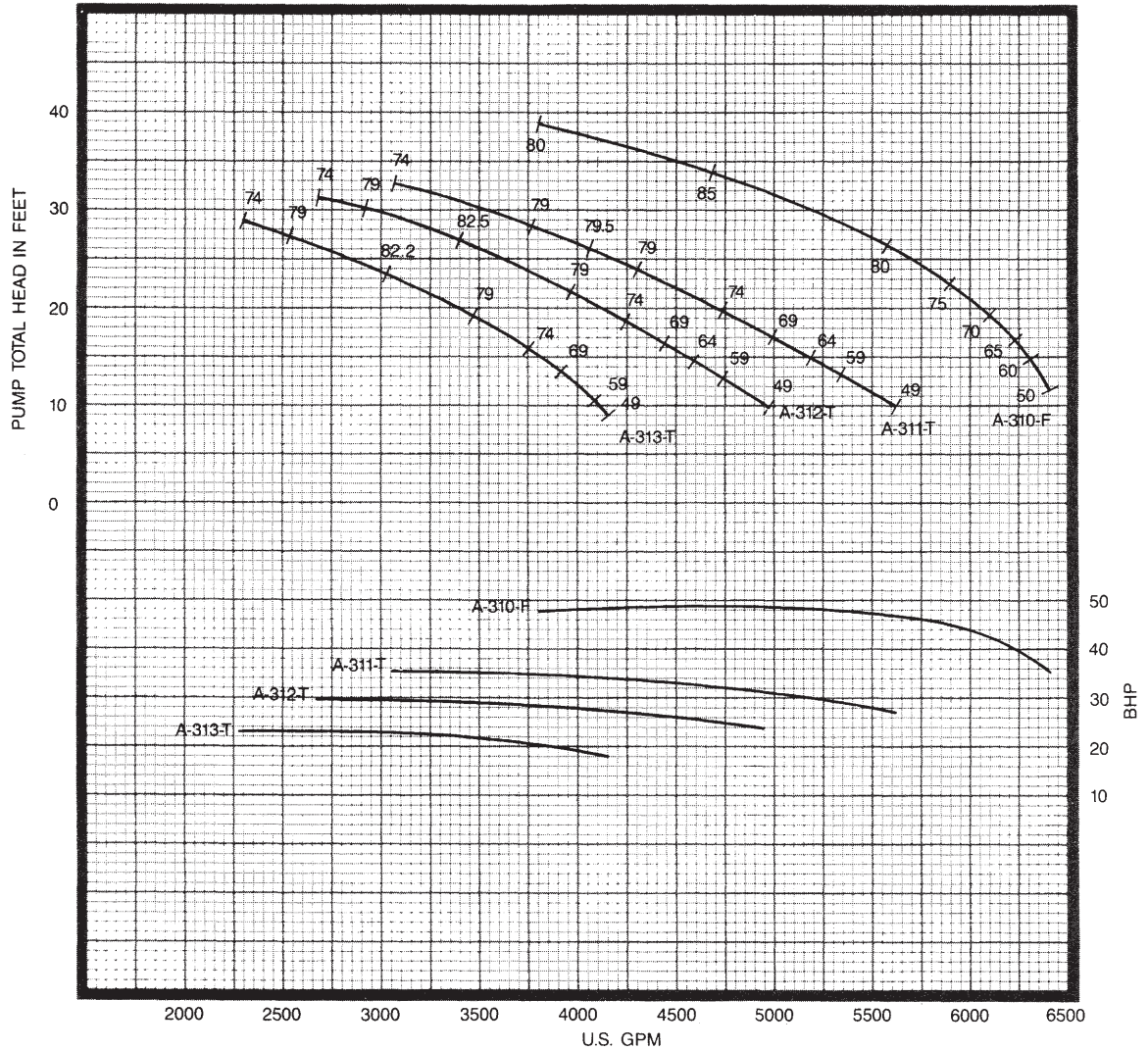
PUMP PERFORMANCE SHOWN IS BOWL ASSEMBLY WITH 10 FEET OF COLUMN INCLUDING A STANDARD ABOVE GROUND DISCHARGE ELBOW. ADDITIONAL COLUMN LOSSES SHOULD BE ADDED WHEN SETTINGS ARE DEEPER THAN 10 FEET AND/OR FOR OTHER DISCHARGE ARRANGEMENTS.



*This value is the minimum submergence required to prevent vortexing only. This value may need to be increased to provide adequate NPSHA.

14"
8312
880
RPM
2
STAGE

16"
COLUMN
16"
FABRICATED
STEEL ELBOW
1-11/16"
LINESHAFT
2-1/2"
ENCLOSING
TUBE

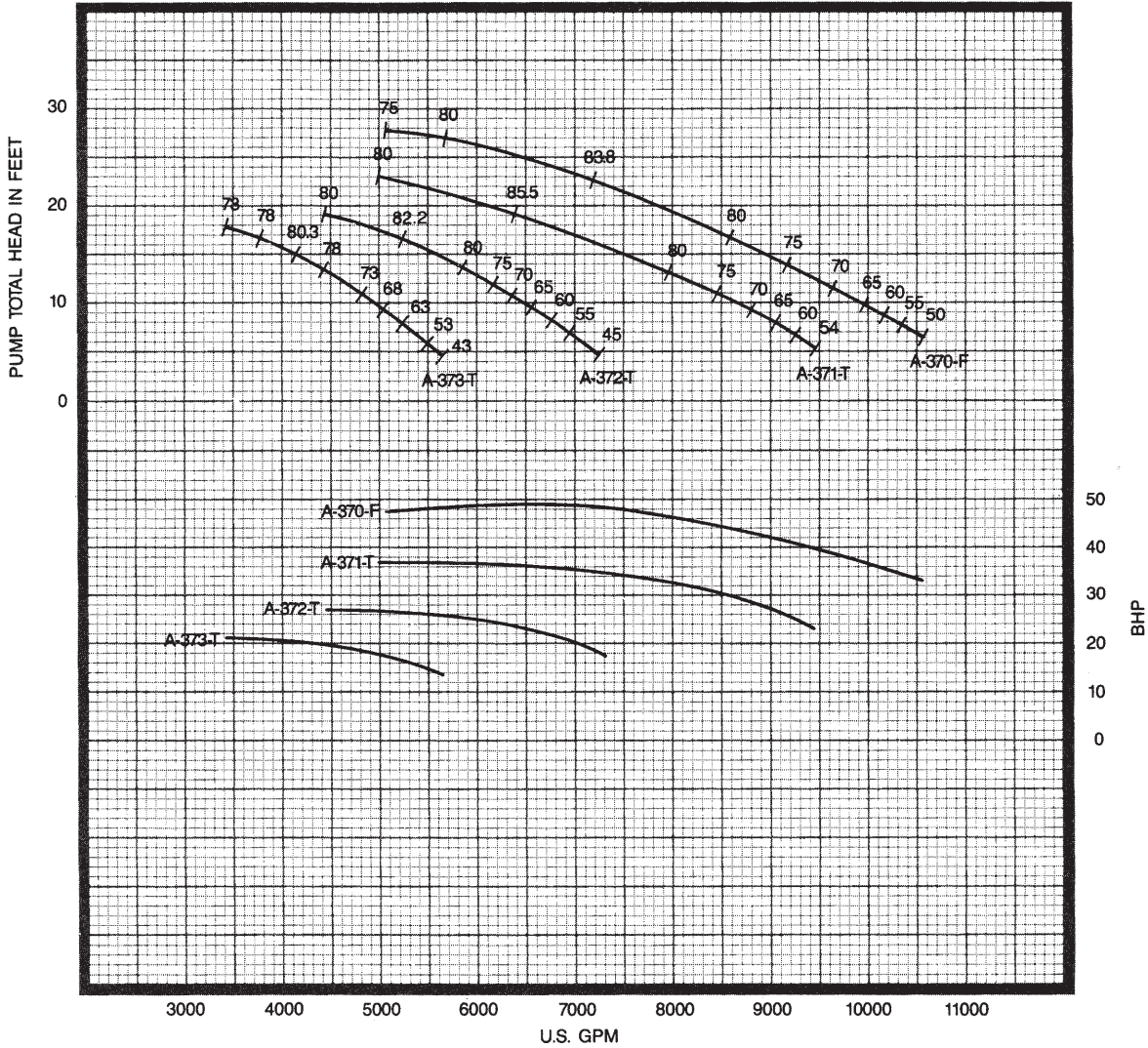


*This value is the minimum submergence required to prevent vortexing only. This value may need to be increased to provide adequate NPSHA.

DATA	VALUE
PUMP SHAFT DIAMETER	1.6875 IN.
MAXIMUM SPHERE SIZE	2.25 IN.
K _t (THRUST FACTOR)	46 LBS./FT.
K _a (TOTAL ROTOR WEIGHT)	90 LBS.
K _s (SETTING CONSTANT)	7.6 LBS./FT.
WK ²	14.2 LBS.-FT. ²
BOWL ASSEMBLY WEIGHT	700 LBS.
EYE AREA: PROPELLER NO. A-310-F	92.0 SQ. IN. 4 VANE
PROPELLER NO. A-311-T	92.0 SQ. IN. 3 VANE
PROPELLER NO. A-312-T	92.0 SQ. IN. 3 VANE
PROPELLER NO. A-313-T	92.0 SQ. IN. 3 VANE
PROPELLER NO.	
PROPELLER NO.	

HYDRAULIC PERFORMANCE IS CONTINGENT ON FURNISHING THE PUMP WITH SPECIFIED AMOUNT OF CLEAR, FRESH, NON-AERATED WATER NOT TO EXCEED 85° F.

PUMP PERFORMANCE SHOWN IS BOWL ASSEMBLY WITH 10 FEET OF COLUMN INCLUDING A STANDARD ABOVE GROUND DISCHARGE ELBOW. ADDITIONAL COLUMN LOSSES SHOULD BE ADDED WHEN SETTINGS ARE DEEPER THAN 10 FEET AND/OR FOR OTHER DISCHARGE ARRANGEMENTS.



16"
8312

880
RPM

1
STAGE

16"
COLUMN

16"
FABRICATED
STEEL ELBOW

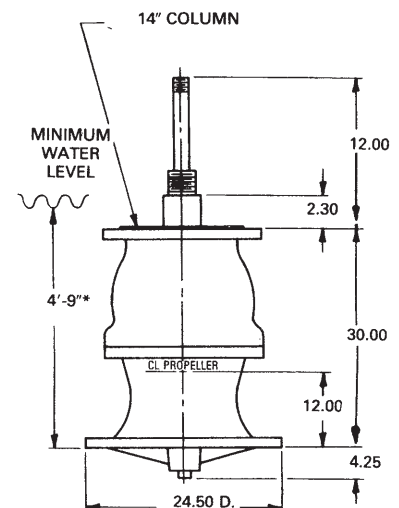
1-1/2"
LINESHAFT

2-1/2"
ENCLOSING
TUBE

DATA	VALUE
PUMP SHAFT DIAMETER	1.6875 IN.
MAXIMUM SPHERE SIZE	2.63 IN.
K _t (THRUST FACTOR)	62 LBS./FT.
K _a (TOTAL ROTOR WEIGHT)	66 LBS.
K _s (SETTING CONSTANT)	5.5 LBS./FT.
WK ²	14 LBS.-FT. ²
BOWL ASSEMBLY WEIGHT	625 LBS.
EYE AREA: PROPELLER NO. A-372-T	124.0 SQ. IN. 3 VANE
PROPELLER NO. A-373-T	124.0 SQ. IN. 3 VANE
PROPELLER NO. A-370-F	124.0 SQ. IN. 4 VANE
PROPELLER NO. A-371-T	124.0 SQ. IN. 3 VANE
PROPELLER NO.	
PROPELLER NO.	

HYDRAULIC PERFORMANCE IS CONTINGENT ON FURNISHING THE PUMP WITH SPECIFIED AMOUNT OF CLEAR, FRESH, NON-AERATED WATER NOT TO EXCEED 85° F.

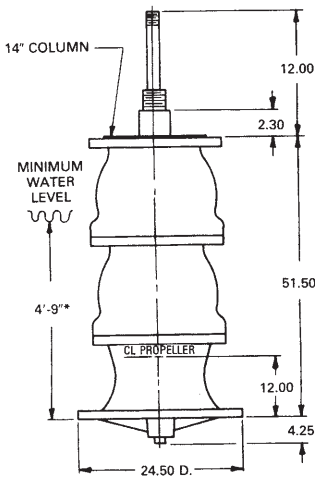
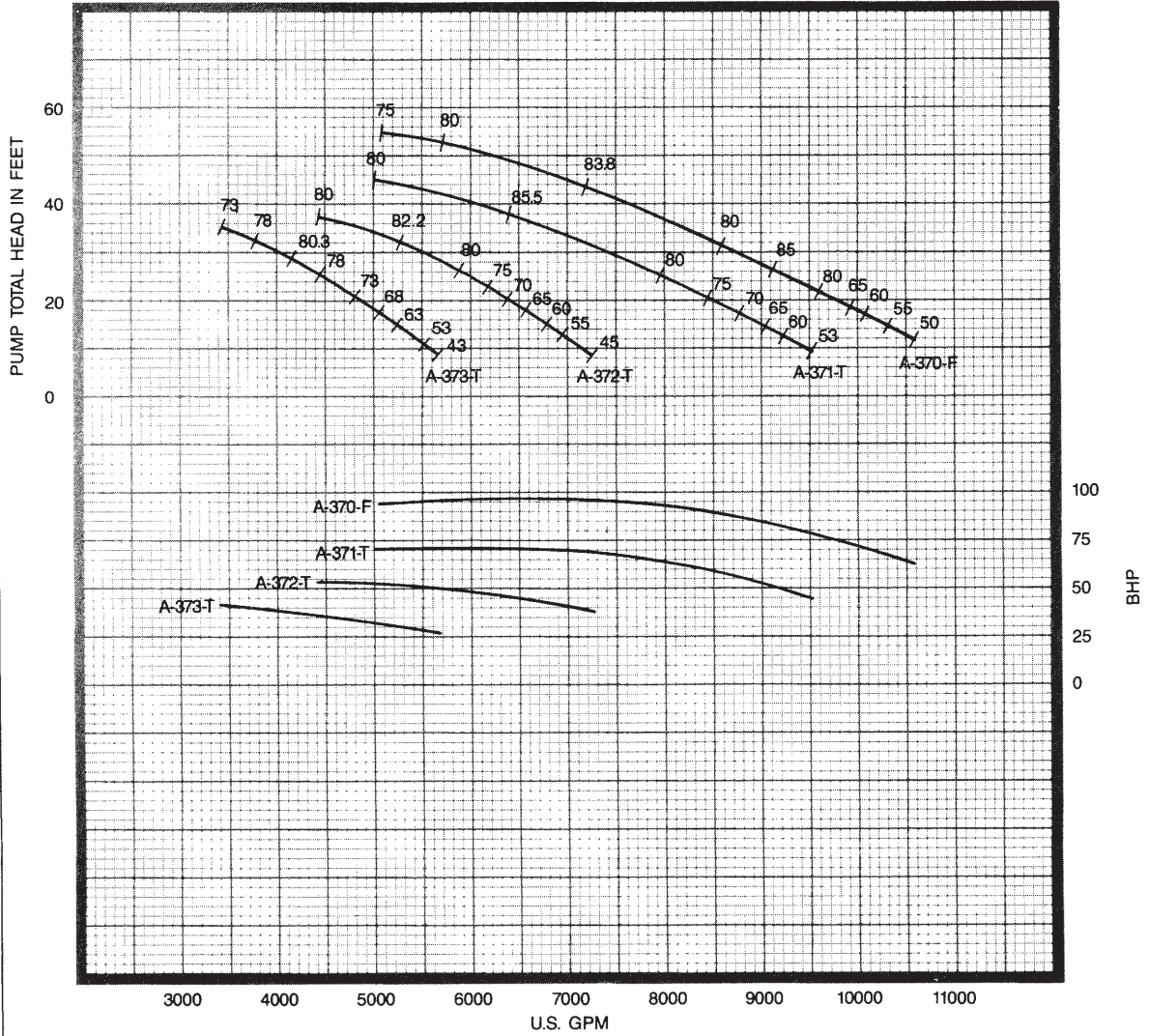
PUMP PERFORMANCE SHOWN IS BOWL ASSEMBLY WITH 10 FEET OF COLUMN INCLUDING A STANDARD ABOVE GROUND DISCHARGE ELBOW. ADDITIONAL COLUMN LOSSES SHOULD BE ADDED WHEN SETTINGS ARE DEEPER THAN 10 FEET AND/OR FOR OTHER DISCHARGE ARRANGEMENTS.



*This value is the minimum submergence required to prevent vortexing only. This value may need to be increased to provide adequate NPSHA.

16"
8312
880
RPM
2
STAGE

16"
COLUMN
16"
FABRICATED
STEEL ELBOW
1-11/16"
LINESHAFT
2-1/2"
ENCLOSING
TUBE

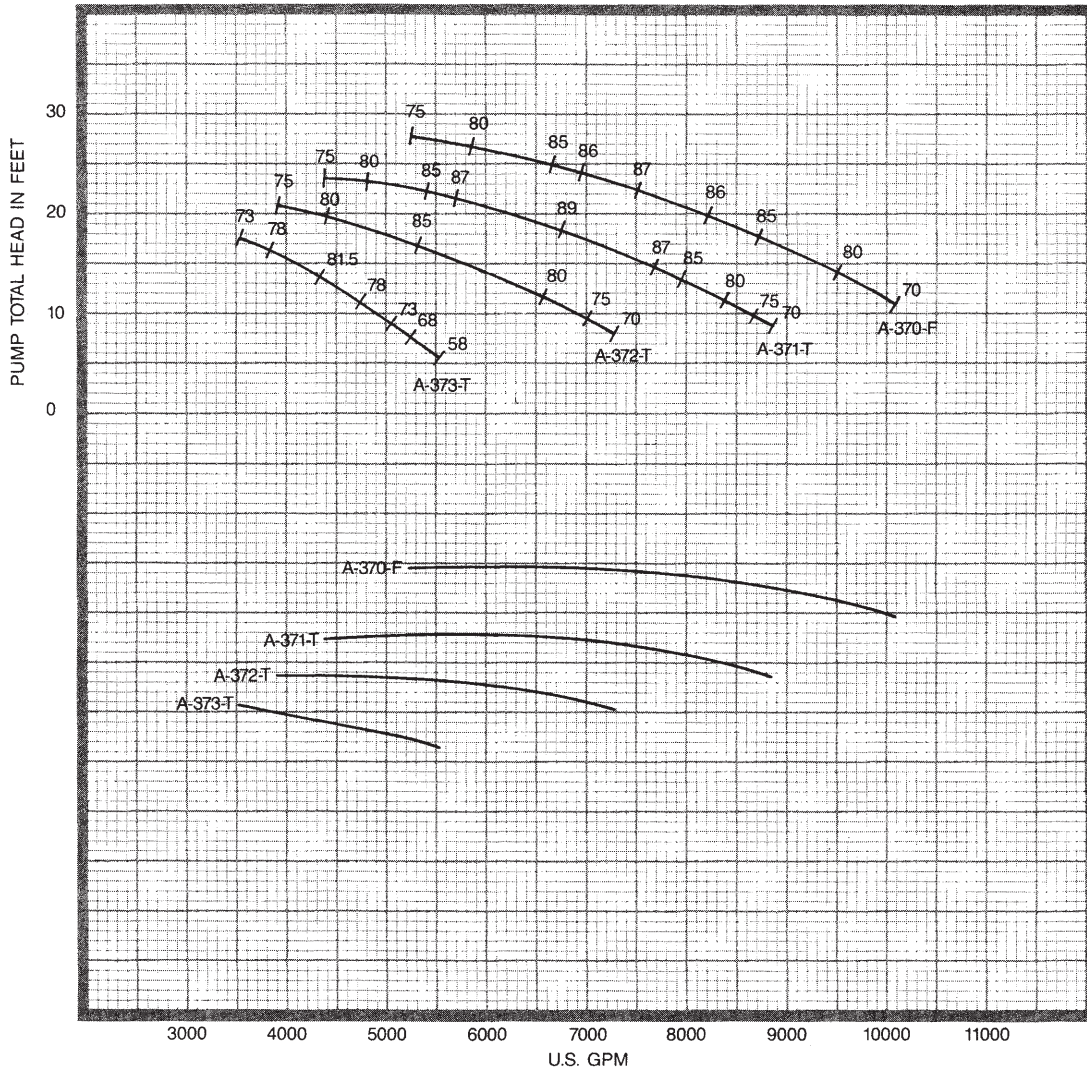


DATA		VALUE
PUMP SHAFT DIAMETER		1.6875 IN.
MAXIMUM SPHERE SIZE		2.63 IN.
K _t (THRUST FACTOR)		62 LBS./FT.
K _a (TOTAL ROTOR WEIGHT)		132 LBS.
K _s (SETTING CONSTANT)		7.6 LBS./FT.
WK ²		28 LBS.-FT. ²
BOWL ASSEMBLY WEIGHT		1025 LBS.
Eye Area:	PROPELLER NO. A-372-T	124.0 SQ. IN. 3 VANE
	PROPELLER NO. A-373-T	124.0 SQ. IN. 3 VANE
	PROPELLER NO. A-370-F	124.0 SQ. IN. 4 VANE
	PROPELLER NO. A-371-T	124.0 SQ. IN. 3 VANE
	PROPELLER NO.	
	PROPELLER NO.	

HYDRAULIC PERFORMANCE IS CONTINGENT ON FURNISHING THE PUMP WITH SPECIFIED AMOUNT OF CLEAR, FRESH, NON-AERATED WATER NOT TO EXCEED 85° F.

PUMP PERFORMANCE SHOWN IS BOWL ASSEMBLY WITH 10 FEET OF COLUMN INCLUDING A STANDARD ABOVE GROUND DISCHARGE ELBOW. ADDITIONAL COLUMN LOSSES SHOULD BE ADDED WHEN SETTINGS ARE DEEPER THAN 10 FEET AND/OR FOR OTHER DISCHARGE ARRANGEMENTS.

*This value is the minimum submergence required to prevent vortexing only. This value may need to be increased to provide adequate NPSHA.



16"
8312

880
RPM

1
STAGE

20"
COLUMN

20"
FABRICATED
STEEL ELBOW

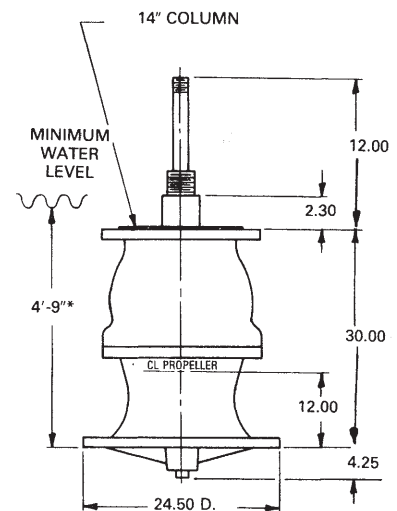
1-1/2"
LINESHAFT

2-1/2"
ENCLOSING
TUBE

DATA	VALUE
PUMP SHAFT DIAMETER	1.6875 IN.
MAXIMUM SPHERE SIZE	2.63 IN.
K _t (THRUST FACTOR)	62 LBS./FT.
K _a (TOTAL ROTOR WEIGHT)	66 LBS.
K _s (SETTING CONSTANT)	5.5 LBS./FT.
WK ²	14 LBS.-FT. ²
BOWL ASSEMBLY WEIGHT	625 LBS.
EYE AREA: PROPELLER NO. A-372-T	124.0 SQ. IN. 3 VANE
PROPELLER NO. A-373-T	124.0 SQ. IN. 3 VANE
PROPELLER NO. A-370-F	124.0 SQ. IN. 4 VANE
PROPELLER NO. A-371-T	124.0 SQ. IN. 3 VANE
PROPELLER NO.	
PROPELLER NO.	

HYDRAULIC PERFORMANCE IS CONTINGENT ON FURNISHING THE PUMP WITH SPECIFIED AMOUNT OF CLEAR, FRESH, NON-AERATED WATER NOT TO EXCEED 85° F.

PUMP PERFORMANCE SHOWN IS BOWL ASSEMBLY WITH 10 FEET OF COLUMN INCLUDING A STANDARD ABOVE GROUND DISCHARGE ELBOW. ADDITIONAL COLUMN LOSSES SHOULD BE ADDED WHEN SETTINGS ARE DEEPER THAN 10 FEET AND/OR FOR OTHER DISCHARGE ARRANGEMENTS.



*This value is the minimum submergence required to prevent vortexing only. This value may need to be increased to provide adequate NPSHA.

16"
8312

880
RPM

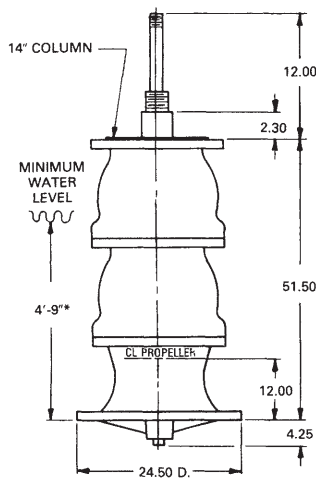
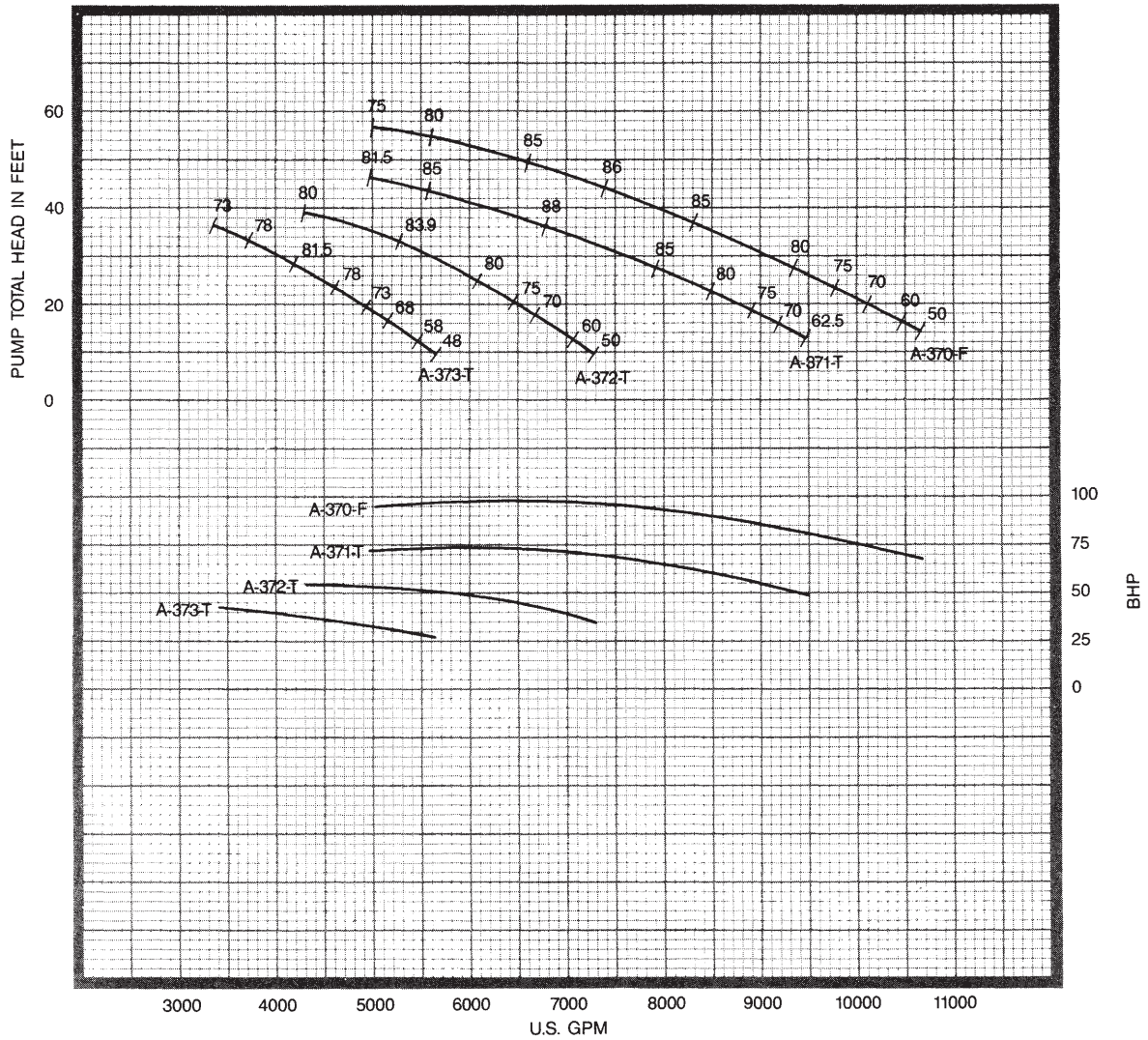
2
STAGE

20"
COLUMN

20"
FABRICATED
STEEL ELBOW

1-11/16"
LINESHAFT

2-1/2"
ENCLOSING
TUBE

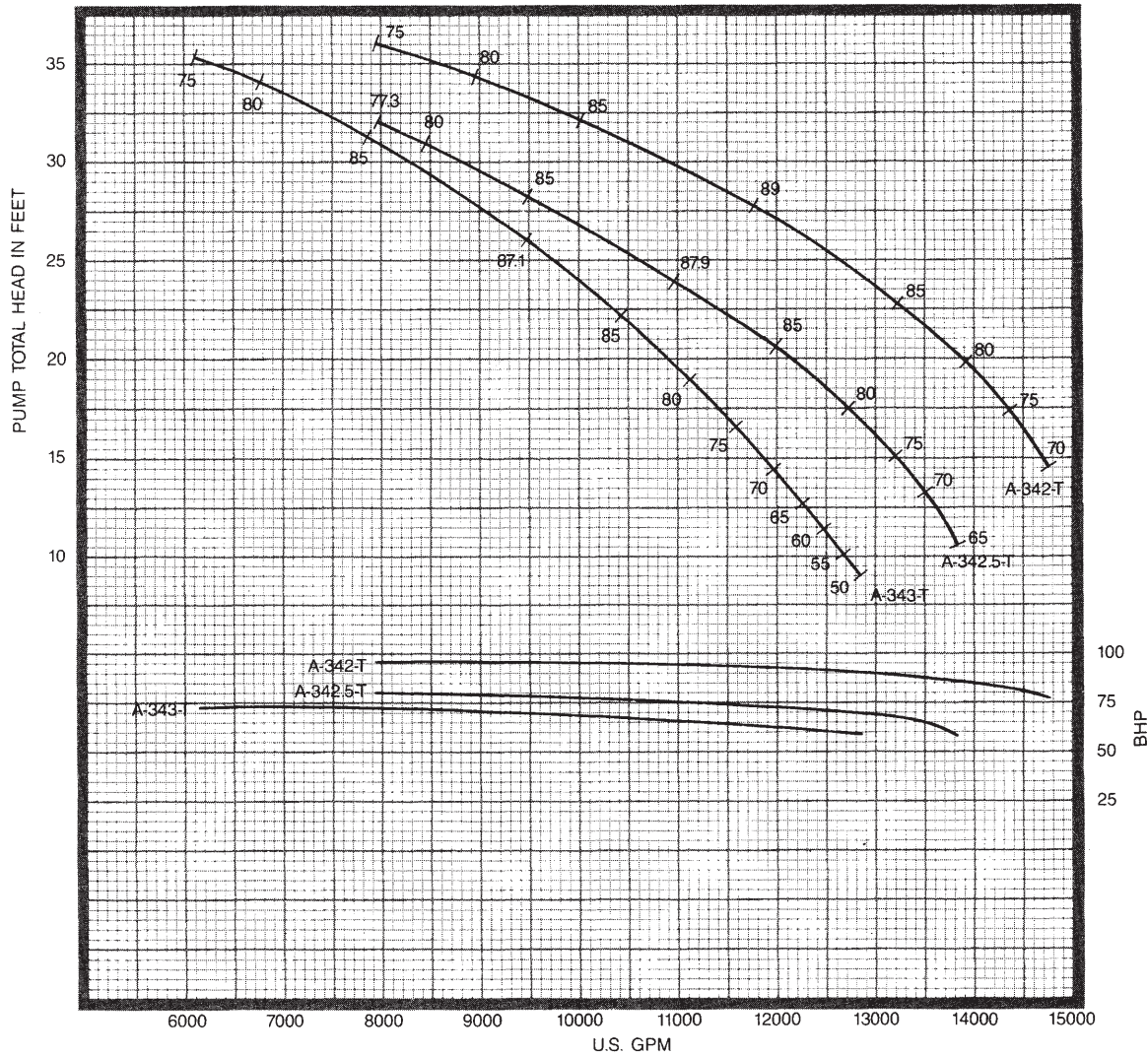


DATA	VALUE
PUMP SHAFT DIAMETER	1.6875 IN.
MAXIMUM SPHERE SIZE	2.63 IN.
K _t (THRUST FACTOR)	62 LBS./FT.
K _a (TOTAL ROTOR WEIGHT)	132 LBS.
K _s (SETTING CONSTANT)	7.6 LBS./FT.
WK ²	28 LBS.-FT. ²
BOWL ASSEMBLY WEIGHT	1025 LBS.
EYE AREA: PROPELLER NO. A-372-T	124.0 SQ. IN. 3 VANE
PROPELLER NO. A-373-T	124.0 SQ. IN. 3 VANE
PROPELLER NO. A-370-F	124.0 SQ. IN. 4 VANE
PROPELLER NO. A-371-T	124.0 SQ. IN. 3 VANE
PROPELLER NO.	
PROPELLER NO.	

HYDRAULIC PERFORMANCE IS CONTINGENT ON FURNISHING THE PUMP WITH SPECIFIED AMOUNT OF CLEAR, FRESH, NON-AERATED WATER NOT TO EXCEED 85° F.

PUMP PERFORMANCE SHOWN IS BOWL ASSEMBLY WITH 10 FEET OF COLUMN INCLUDING A STANDARD ABOVE GROUND DISCHARGE ELBOW. ADDITIONAL COLUMN LOSSES SHOULD BE ADDED WHEN SETTINGS ARE DEEPER THAN 10 FEET AND/OR FOR OTHER DISCHARGE ARRANGEMENTS.

*This value is the minimum submergence required to prevent vortexing only. This value may need to be increased to provide adequate NPSHA.



20"
8312

880
RPM

1
STAGE

20"
COLUMN

20"
FABRICATED
STEEL ELBOW

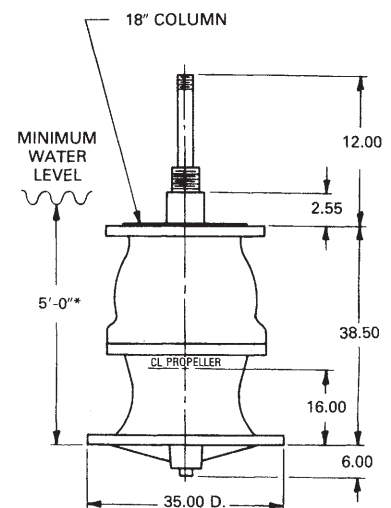
1-11/16"
LINESHAFT

2-1/2"
ENCLOSING
TUBE

DATA	VALUE
PUMP SHAFT DIAMETER	1.9375 IN.
MAXIMUM SPHERE SIZE	3.38 IN.
K _t (THRUST FACTOR)	101 LBS./FT.
K _a (TOTAL ROTOR WEIGHT)	125 LBS.
K _s (SETTING CONSTANT)	7.6 LBS./FT.
WK ²	43 LBS.-FT. ²
BOWL ASSEMBLY WEIGHT	1300 LBS.
EYE AREA: PROPELLER NO. A-342-T	203.0 SQ. IN. 3 VANE
PROPELLER NO. A-342.5-T	203.0 SQ. IN. 3 VANE
PROPELLER NO. A-343-T	203.0 SQ. IN. 3 VANE
PROPELLER NO.	
PROPELLER NO.	
PROPELLER NO.	

HYDRAULIC PERFORMANCE IS CONTINGENT ON FURNISHING THE PUMP WITH SPECIFIED AMOUNT OF CLEAR, FRESH, NON-AERATED WATER NOT TO EXCEED 85° F.

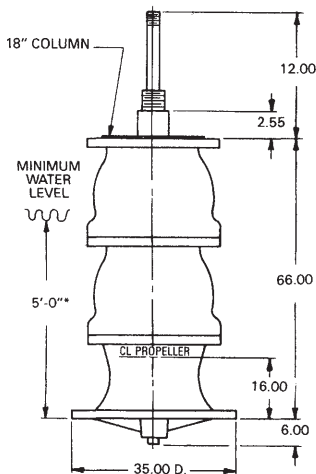
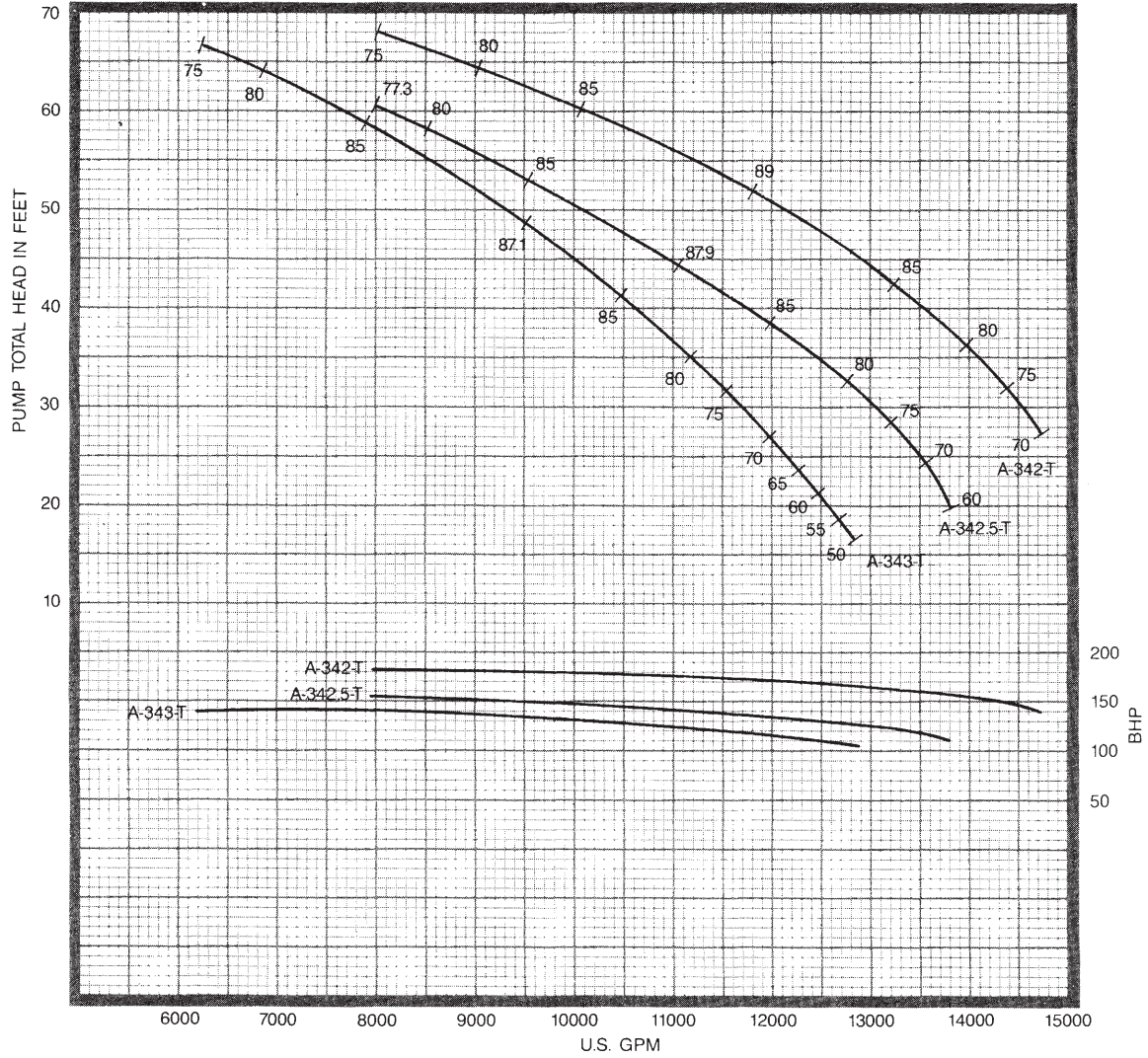
PUMP PERFORMANCE SHOWN IS BOWL ASSEMBLY WITH 10 FEET OF COLUMN INCLUDING A STANDARD ABOVE GROUND DISCHARGE ELBOW. ADDITIONAL COLUMN LOSSES SHOULD BE ADDED WHEN SETTINGS ARE DEEPER THAN 10 FEET AND/OR FOR OTHER DISCHARGE ARRANGEMENTS.



*This value is the minimum submergence required to prevent vortexing only. This value may need to be increased to provide adequate NPSHA.

20"
8312
880
RPM
2
STAGE

20"
COLUMN
20"
FABRICATED
STEEL ELBOW
1-15/16"
LINESHAFT
3"
ENCLOSING
TUBE

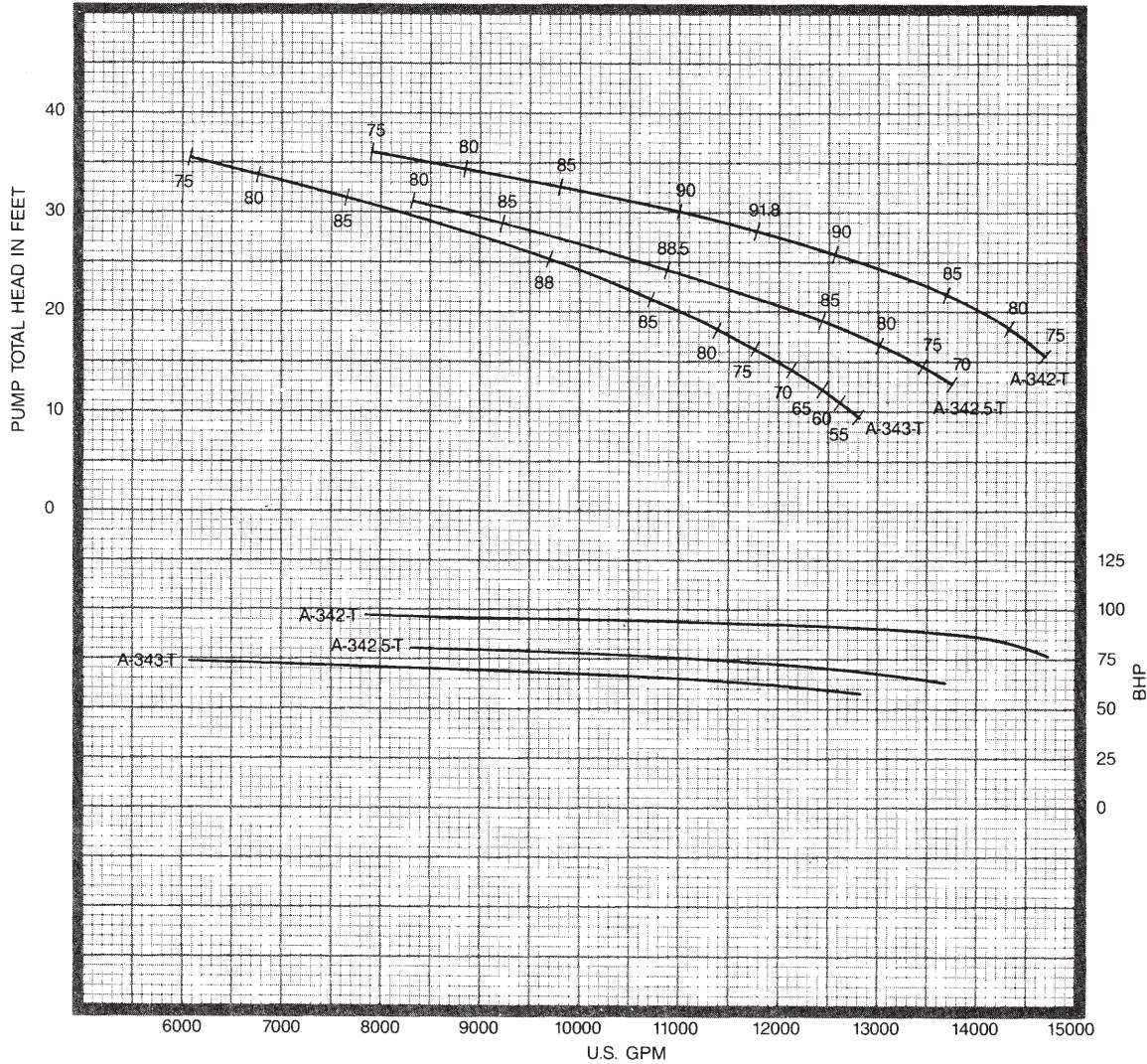


*This value is the minimum submergence required to prevent vortexing only. This value may need to be increased to provide adequate NPSHA.

DATA	VALUE
PUMP SHAFT DIAMETER	1.9375 IN.
MAXIMUM SPHERE SIZE	3.38 IN.
K _t (THRUST FACTOR)	101 LBS./FT.
K _a (TOTAL ROTOR WEIGHT)	250 LBS.
K _s (SETTING CONSTANT)	10.0 LBS./FT.
WK ²	86 LBS.-FT. ²
BOWL ASSEMBLY WEIGHT	2150 LBS.
EYE AREA: PROPELLER NO. A-342-T	203.0 SQ. IN. 3 VANE
PROPELLER NO. A-342.5-T	203.0 SQ. IN. 3 VANE
PROPELLER NO. A-343-T	203.0 SQ. IN. 3 VANE
PROPELLER NO.	
PROPELLER NO.	
PROPELLER NO.	

HYDRAULIC PERFORMANCE IS CONTINGENT ON FURNISHING THE PUMP WITH SPECIFIED AMOUNT OF CLEAR, FRESH, NON-AERATED WATER NOT TO EXCEED 85° F.

PUMP PERFORMANCE SHOWN IS BOWL ASSEMBLY WITH 10 FEET OF COLUMN INCLUDING A STANDARD ABOVE GROUND DISCHARGE ELBOW. ADDITIONAL COLUMN LOSSES SHOULD BE ADDED WHEN SETTINGS ARE DEEPER THAN 10 FEET AND/OR FOR OTHER DISCHARGE ARRANGEMENTS.



20"
8312

880
RPM

1
STAGE

24"
COLUMN

24"
FABRICATED
STEEL ELBOW

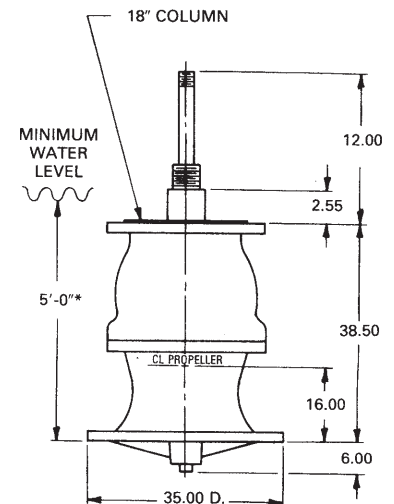
1-11/16"
LINESHAFT

2-1/2"
ENCLOSING
TUBE

DATA	VALUE
PUMP SHAFT DIAMETER	1.9375 IN.
MAXIMUM SPHERE SIZE	3.38 IN.
K _t (THRUST FACTOR)	101 LBS./FT.
K _a (TOTAL ROTOR WEIGHT)	125 LBS.
K _s (SETTING CONSTANT)	7.6 LBS./FT.
WK ²	43 LBS.-FT. ²
BOWL ASSEMBLY WEIGHT	1300 LBS.
EYE AREA: PROPELLER NO. A-342-T	203.0 SQ. IN. 3 VANE
PROPELLER NO. A-342.5-T	203.0 SQ. IN. 3 VANE
PROPELLER NO. A-343-T	203.0 SQ. IN. 3 VANE
PROPELLER NO.	
PROPELLER NO.	
PROPELLER NO.	

HYDRAULIC PERFORMANCE IS CONTINGENT ON FURNISHING THE PUMP WITH SPECIFIED AMOUNT OF CLEAR, FRESH, NON-AERATED WATER NOT TO EXCEED 85° F.

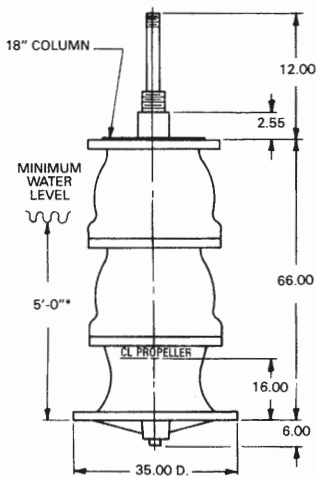
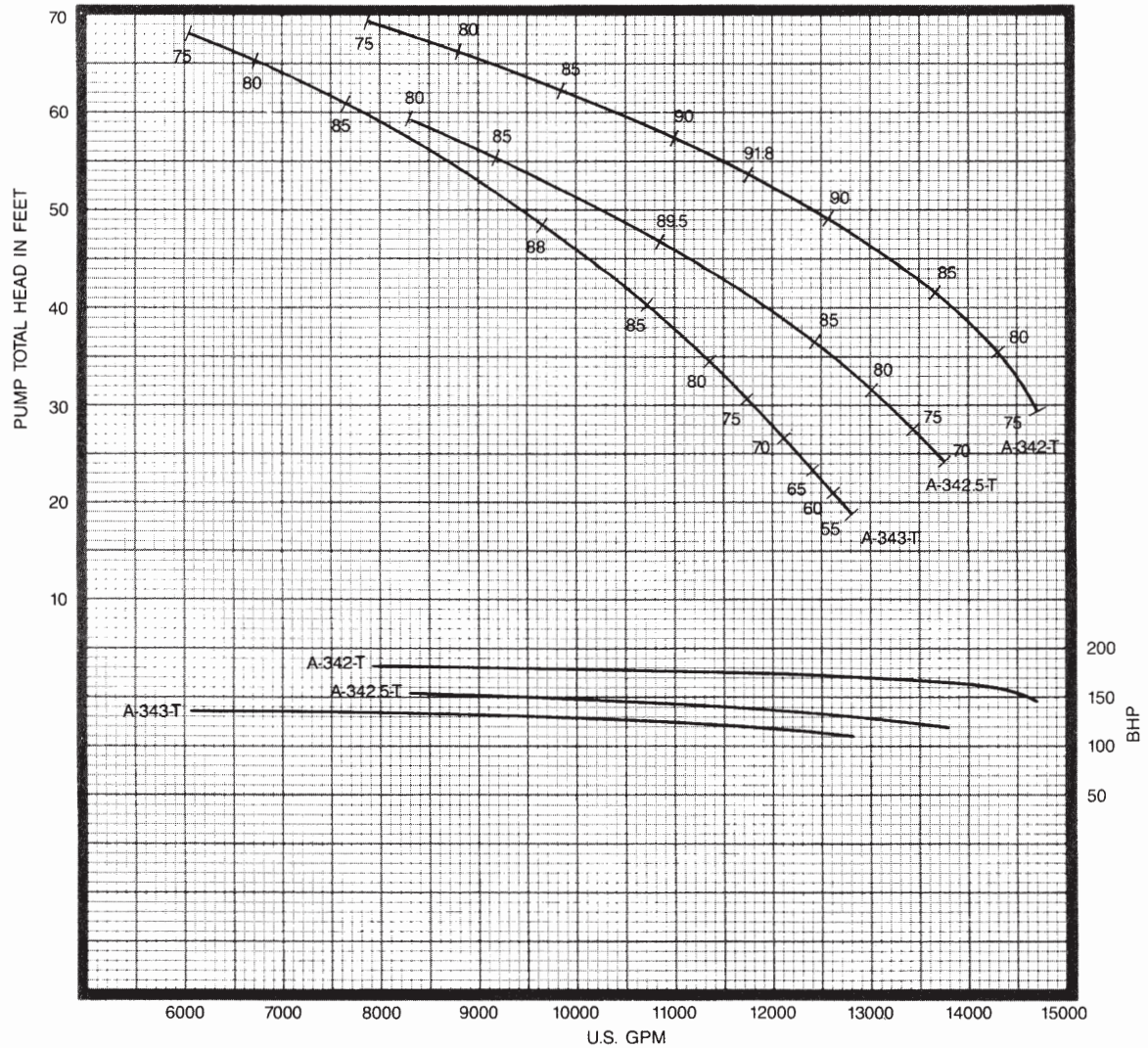
PUMP PERFORMANCE SHOWN IS BOWL ASSEMBLY WITH 10 FEET OF COLUMN INCLUDING A STANDARD ABOVE GROUND DISCHARGE ELBOW. ADDITIONAL COLUMN LOSSES SHOULD BE ADDED WHEN SETTINGS ARE DEEPER THAN 10 FEET AND/OR FOR OTHER DISCHARGE ARRANGEMENTS.



*This value is the minimum submergence required to prevent vortexing only. This value may need to be increased to provide adequate NPSHA.

20"
8312
880
RPM
2
STAGE

24"
COLUMN
24"
FABRICATED
STEEL ELBOW
1-15/16"
LINESHAFT
3"
ENCLOSING
TUBE

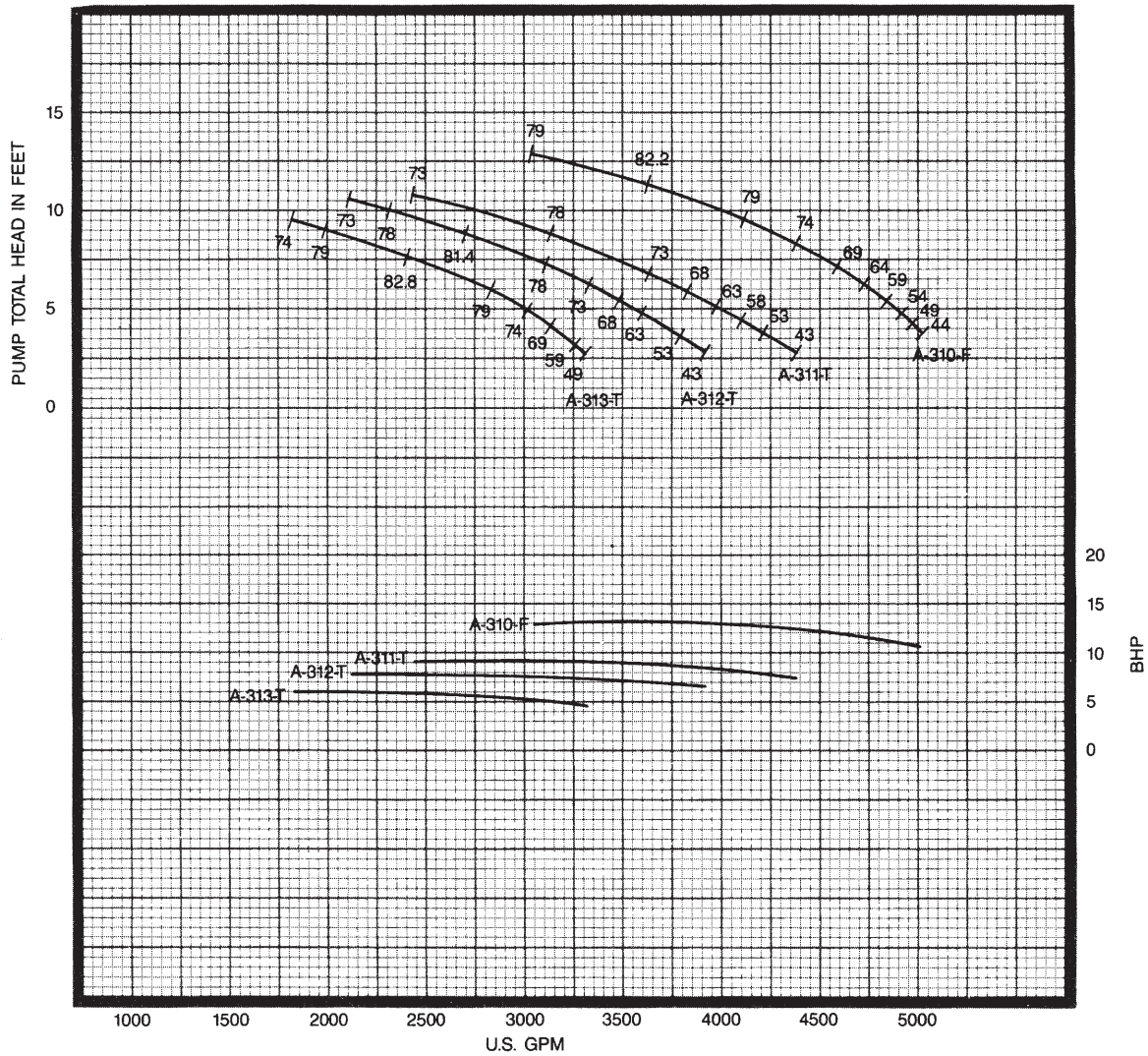


*This value is the minimum submergence required to prevent vortexing only. This value may need to be increased to provide adequate NPSHA.

DATA		VALUE
PUMP SHAFT DIAMETER		1.9375 IN.
MAXIMUM SPHERE SIZE		3.38 IN.
K _t (THRUST FACTOR)		101 LBS./FT.
K _a (TOTAL ROTOR WEIGHT)		250 LBS.
K _s (SETTING CONSTANT)		10.0 LBS./FT.
WK ²		86 LBS.-FT. ²
BOWL ASSEMBLY WEIGHT		2150 LBS.
EYE AREA: PROPELLER NO. A-342-T		203.0 SQ. IN. 3 VANE
PROPELLER NO. A-342.5-T		203.0 SQ. IN. 3 VANE
PROPELLER NO. A-343-T		203.0 SQ. IN. 3 VANE
PROPELLER NO.		
PROPELLER NO.		

HYDRAULIC PERFORMANCE IS CONTINGENT ON FURNISHING THE PUMP WITH SPECIFIED AMOUNT OF CLEAR, FRESH, NON-AERATED WATER NOT TO EXCEED 85° F.

PUMP PERFORMANCE SHOWN IS BOWL ASSEMBLY WITH 10 FEET OF COLUMN INCLUDING A STANDARD ABOVE GROUND DISCHARGE ELBOW. ADDITIONAL COLUMN LOSSES SHOULD BE ADDED WHEN SETTINGS ARE DEEPER THAN 10 FEET AND/OR FOR OTHER DISCHARGE ARRANGEMENTS.



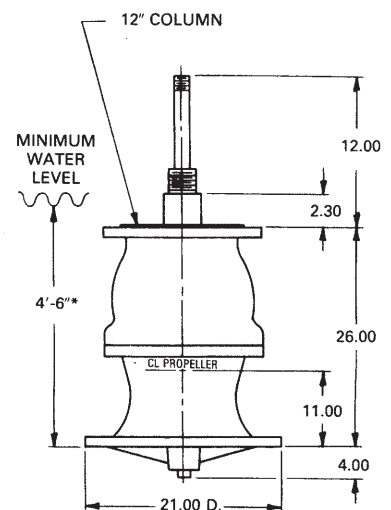
14"
8312
705
RPM
1
STAGE

14"
COLUMN
14"
CAST IRON
ELBOW
1-1/2"
LINESHAFT
2-1/2"
ENCLOSING
TUBE

DATA	VALUE
PUMP SHAFT DIAMETER	1.6875 IN.
MAXIMUM SPHERE SIZE	2.25 IN.
K _t (THRUST FACTOR)	46 LBS./FT.
K _a (TOTAL ROTOR WEIGHT)	45 LBS.
K _s (SETTING CONSTANT)	5.5 LBS./FT.
WK ²	7.1 LBS.-FT. ²
BOWL ASSEMBLY WEIGHT	595 LBS.
EYE AREA: PROPELLER NO. A-310-F	92.0 SQ. IN. 4 VANE
PROPELLER NO. A-311-T	92.0 SQ. IN. 3 VANE
PROPELLER NO. A-312-T	92.0 SQ. IN. 3 VANE
PROPELLER NO. A-313-T	92.0 SQ. IN. 3 VANE
PROPELLER NO.	
PROPELLER NO.	

HYDRAULIC PERFORMANCE IS CONTINGENT ON FURNISHING THE PUMP WITH SPECIFIED AMOUNT OF CLEAR, FRESH, NON-AERATED WATER NOT TO EXCEED 85° F.

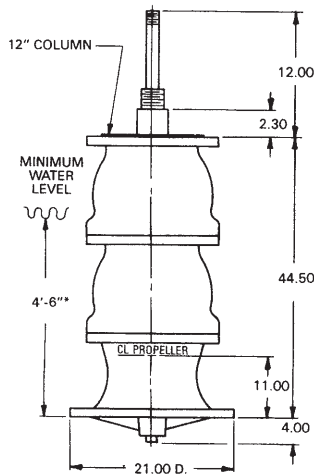
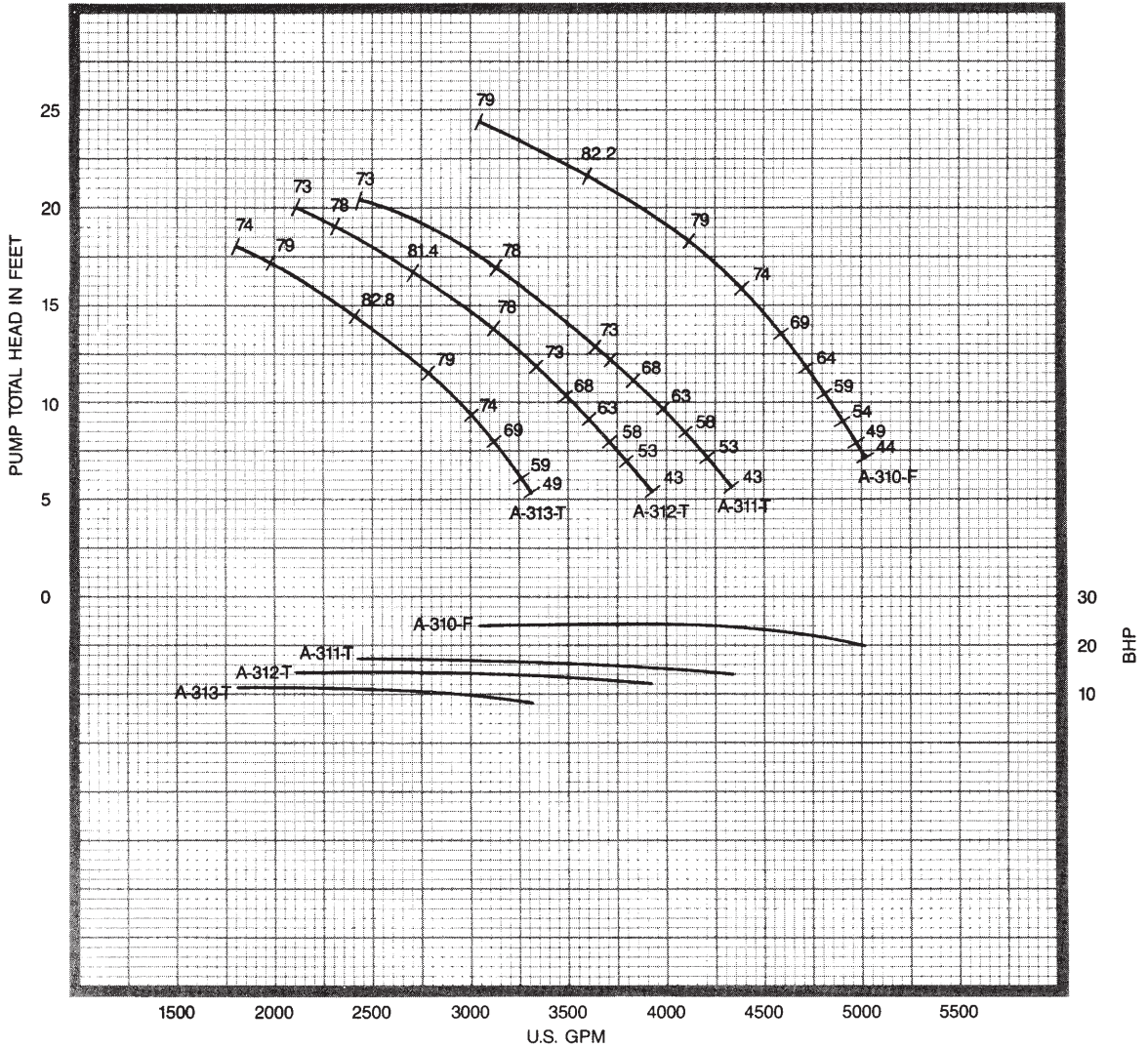
PUMP PERFORMANCE SHOWN IS BOWL ASSEMBLY WITH 10 FEET OF COLUMN INCLUDING A STANDARD ABOVE GROUND DISCHARGE ELBOW. ADDITIONAL COLUMN LOSSES SHOULD BE ADDED WHEN SETTINGS ARE DEEPER THAN 10 FEET AND/OR FOR OTHER DISCHARGE ARRANGEMENTS.



*This value is the minimum submergence required to prevent vortexing only. This value may need to be increased to provide adequate NPSHA.

14"
8312
705
RPM
2
STAGE

14"
COLUMN
14"
CAST IRON
ELBOW
1-11/16"
LINESHAFT
2-1/2"
ENCLOSING
TUBE

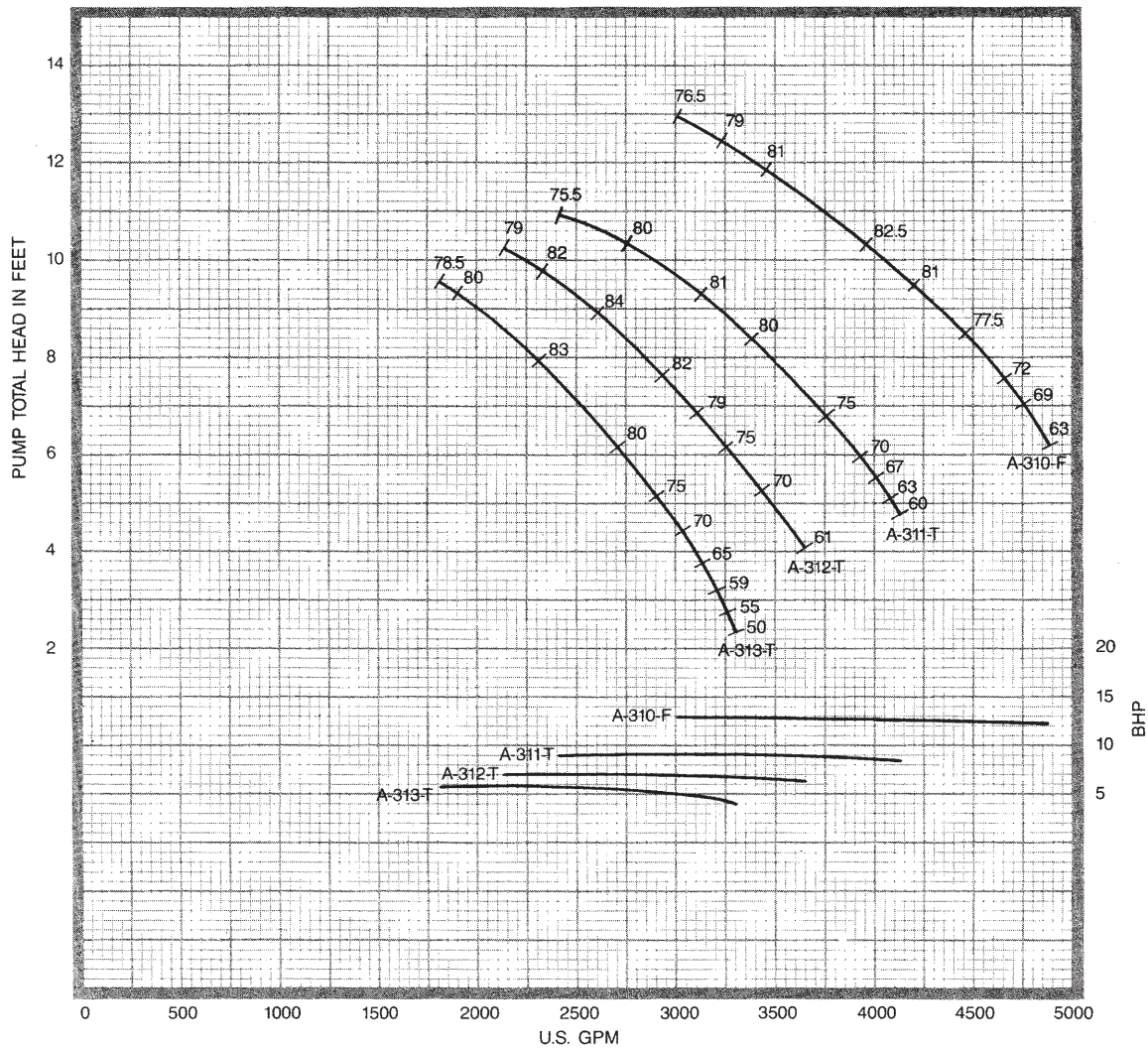


*This value is the minimum submergence required to prevent vortexing only. This value may need to be increased to provide adequate NPSHA.

DATA	VALUE
PUMP SHAFT DIAMETER	1.6875 IN.
MAXIMUM SPHERE SIZE	2.25 IN.
K _t (THRUST FACTOR)	46 LBS./FT.
K _a (TOTAL ROTOR WEIGHT)	90 LBS.
K _s (SETTING CONSTANT)	7.6 LBS./FT.
WK ²	14.2 LBS.-FT. ²
BOWL ASSEMBLY WEIGHT	770 LBS.
EYE AREA: PROPELLER NO. A-310-F	92.0 SQ. IN. 4 VANE
PROPELLER NO. A-311-T	92.0 SQ. IN. 3 VANE
PROPELLER NO. A-312-T	92.0 SQ. IN. 3 VANE
PROPELLER NO. A-313-T	92.0 SQ. IN. 3 VANE
PROPELLER NO.	
PROPELLER NO.	

HYDRAULIC PERFORMANCE IS CONTINGENT ON FURNISHING THE PUMP WITH SPECIFIED AMOUNT OF CLEAR, FRESH, NON-AERATED WATER NOT TO EXCEED 85° F.

PUMP PERFORMANCE SHOWN IS BOWL ASSEMBLY WITH 10 FEET OF COLUMN INCLUDING A STANDARD ABOVE GROUND DISCHARGE ELBOW. ADDITIONAL COLUMN LOSSES SHOULD BE ADDED WHEN SETTINGS ARE DEEPER THAN 10 FEET AND/OR FOR OTHER DISCHARGE ARRANGEMENTS.



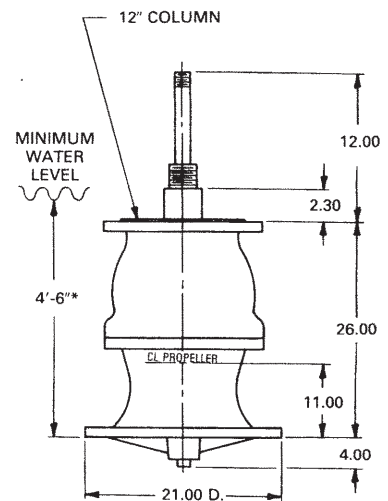
14"
8312
705
RPM
1
STAGE

16"
COLUMN
16"
FABRICATED
STEEL ELBOW
1-1/2"
LINESHAFT
2-1/2"
ENCLOSING
TUBE

DATA	VALUE
PUMP SHAFT DIAMETER	1.6875 IN.
MAXIMUM SPHERE SIZE	2.25 IN.
K _t (THRUST FACTOR)	46 LBS./FT.
K _a (TOTAL ROTOR WEIGHT)	45 LBS.
K _s (SETTING CONSTANT)	5.5 LBS./FT.
WK ²	7.1 LBS.-FT. ²
BOWL ASSEMBLY WEIGHT	425 LBS.
EYE AREA: PROPELLER NO. A-310-F	92.0 SQ. IN. 4 VANE
PROPELLER NO. A-311-T	92.0 SQ. IN. 3 VANE
PROPELLER NO. A-312-T	92.0 SQ. IN. 3 VANE
PROPELLER NO. A-313-T	92.0 SQ. IN. 3 VANE
PROPELLER NO.	
PROPELLER NO.	

HYDRAULIC PERFORMANCE IS CONTINGENT ON FURNISHING THE PUMP WITH SPECIFIED AMOUNT OF CLEAR, FRESH, NON-AERATED WATER NOT TO EXCEED 85° F.

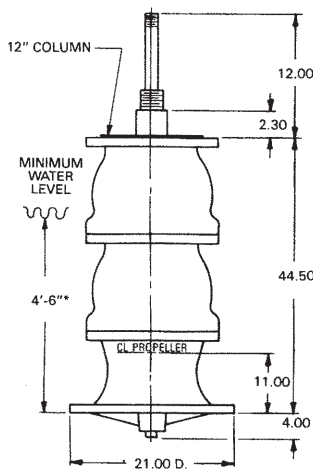
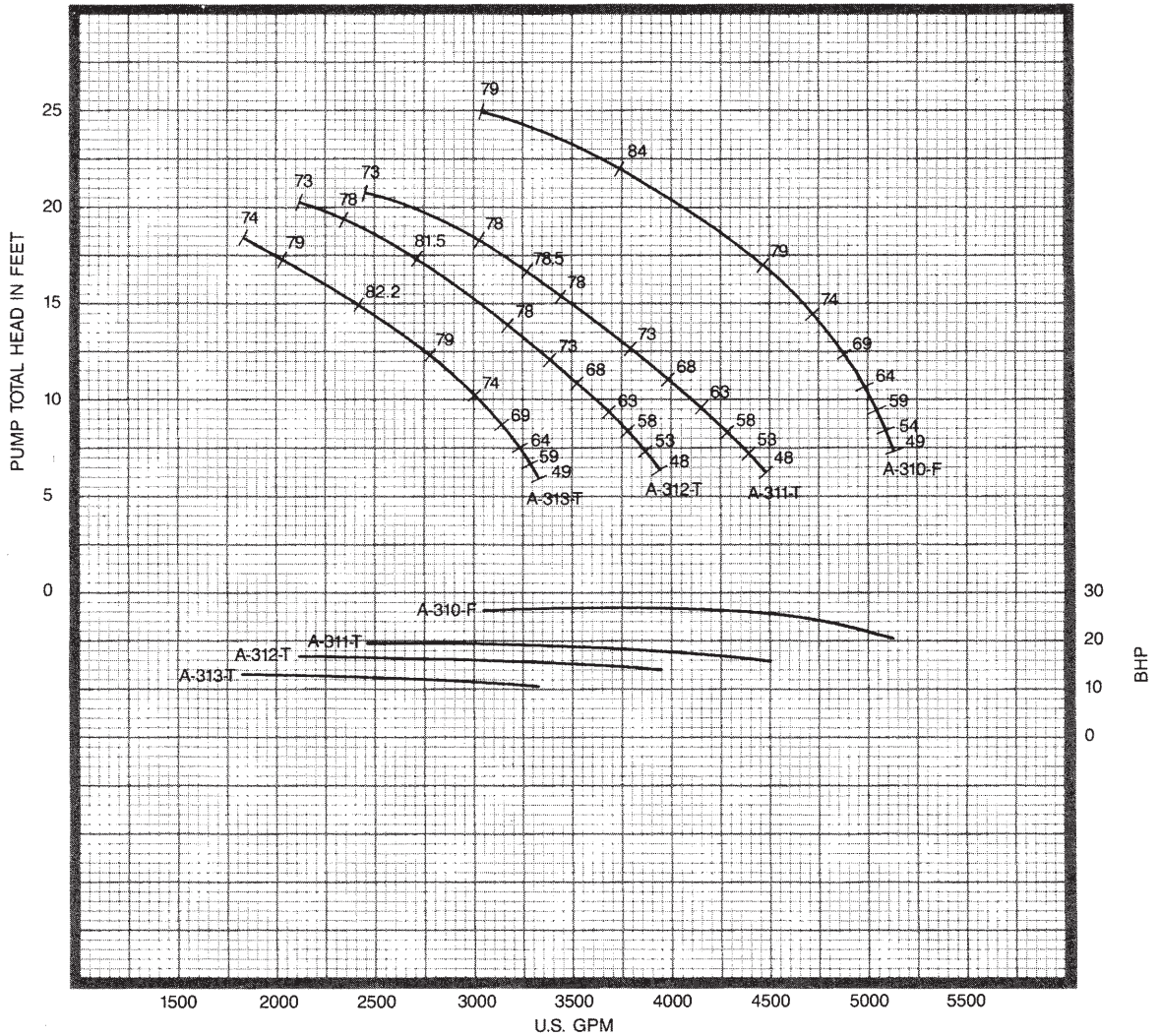
PUMP PERFORMANCE SHOWN IS BOWL ASSEMBLY WITH 10 FEET OF COLUMN INCLUDING A STANDARD ABOVE GROUND DISCHARGE ELBOW. ADDITIONAL COLUMN LOSSES SHOULD BE ADDED WHEN SETTINGS ARE DEEPER THAN 10 FEET AND/OR FOR OTHER DISCHARGE ARRANGEMENTS.



*This value is the minimum submergence required to prevent vortexing only. This value may need to be increased to provide adequate NPSHA.

14"
8312
705
RPM
2
STAGE

16"
COLUMN
16"
FABRICATED
STEEL ELBOW
1-11/16"
LINESHAFT
2-1/2"
ENCLOSING
TUBE

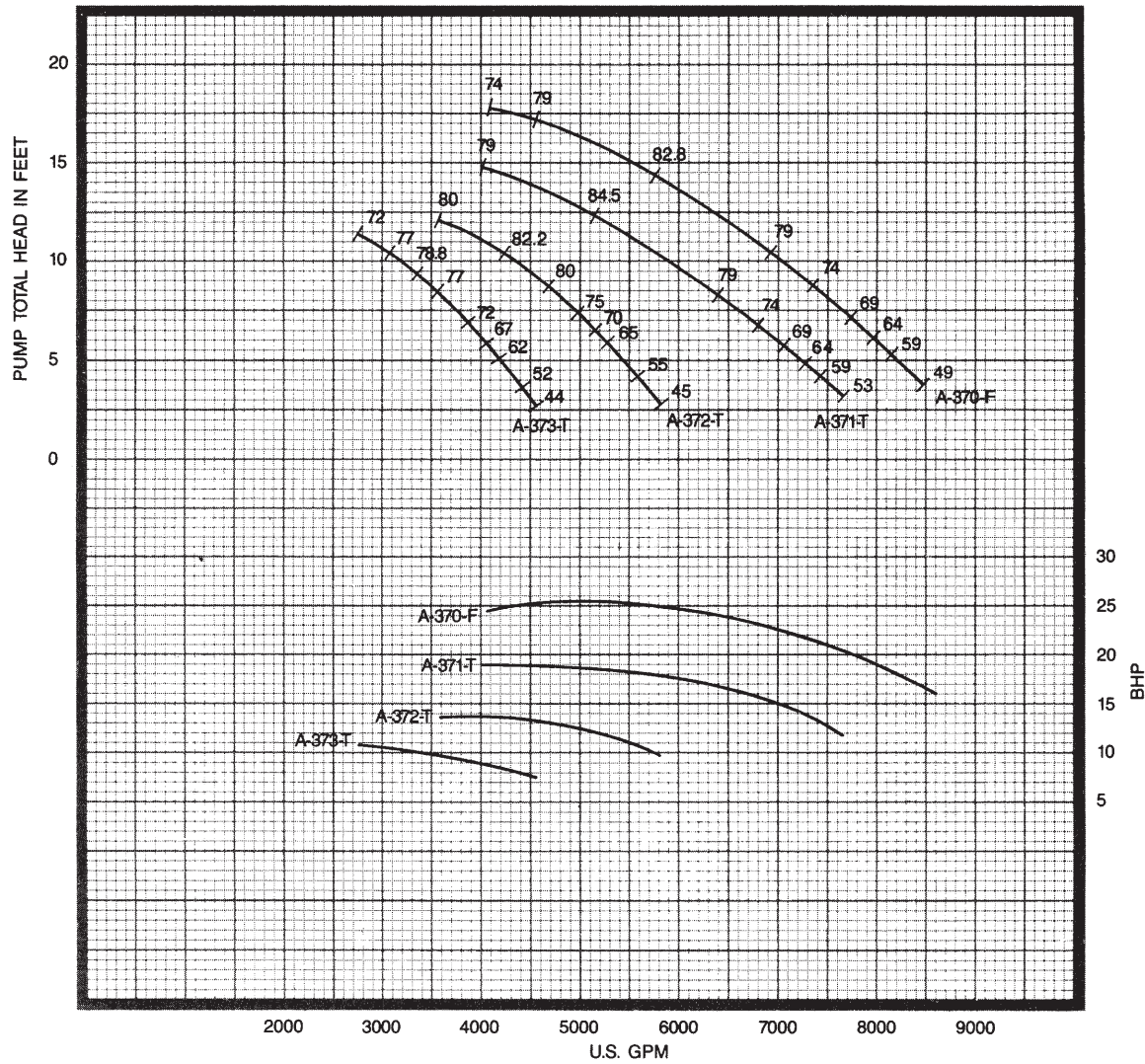


DATA	VALUE
PUMP SHAFT DIAMETER	1.6875 IN.
MAXIMUM SPHERE SIZE	2.25 IN.
K _t (THRUST FACTOR)	46 LBS./FT.
K _a (TOTAL ROTOR WEIGHT)	90 LBS.
K _s (SETTING CONSTANT)	7.6 LBS./FT.
WK ²	14.2 LBS.-FT. ²
BOWL ASSEMBLY WEIGHT	700 LBS.
EYE AREA: PROPELLER NO. A-310-F	92.0 SQ. IN. 4 VANE
PROPELLER NO. A-311-T	92.0 SQ. IN. 3 VANE
PROPELLER NO. A-312-T	92.0 SQ. IN. 3 VANE
PROPELLER NO. A-313-T	92.0 SQ. IN. 3 VANE
PROPELLER NO.	
PROPELLER NO.	

HYDRAULIC PERFORMANCE IS CONTINGENT ON FURNISHING THE PUMP WITH SPECIFIED AMOUNT OF CLEAR, FRESH, NON-AERATED WATER NOT TO EXCEED 85° F.

PUMP PERFORMANCE SHOWN IS BOWL ASSEMBLY WITH 10 FEET OF COLUMN INCLUDING A STANDARD ABOVE GROUND DISCHARGE ELBOW. ADDITIONAL COLUMN LOSSES SHOULD BE ADDED WHEN SETTINGS ARE DEEPER THAN 10 FEET AND/OR FOR OTHER DISCHARGE ARRANGEMENTS.

*This value is the minimum submergence required to prevent vortexing only. This value may need to be increased to provide adequate NPSHA.



16"
8312

705
RPM

1
STAGE

16"
COLUMN

16"
FABRICATED
STEEL ELBOW

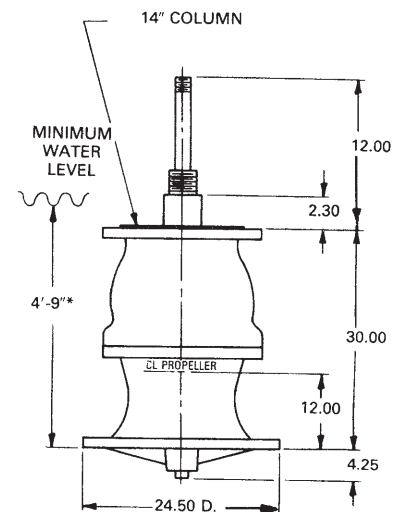
1-1/2"
LINESHAFT

2-1/2"
ENCLOSING
TUBE

DATA	VALUE
PUMP SHAFT DIAMETER	1.6875 IN.
MAXIMUM SPHERE SIZE	2.63 IN.
K _t (THRUST FACTOR)	62 LBS./FT.
K _a (TOTAL ROTOR WEIGHT)	66 LBS.
K _s (SETTING CONSTANT)	5.5 LBS./FT.
WK ²	14 LBS.-FT. ²
BOWL ASSEMBLY WEIGHT	625 LBS.
EYE AREA: PROPELLER NO. A-372-T	124.0 SQ. IN. 3 VANE
PROPELLER NO. A-373-T	124.0 SQ. IN. 3 VANE
PROPELLER NO. A-370-F	124.0 SQ. IN. 4 VANE
PROPELLER NO. A-371-T	124.0 SQ. IN. 3 VANE
PROPELLER NO.	
PROPELLER NO.	

HYDRAULIC PERFORMANCE IS CONTINGENT ON FURNISHING THE PUMP WITH SPECIFIED AMOUNT OF CLEAR, FRESH, NON-AERATED WATER NOT TO EXCEED 85° F.

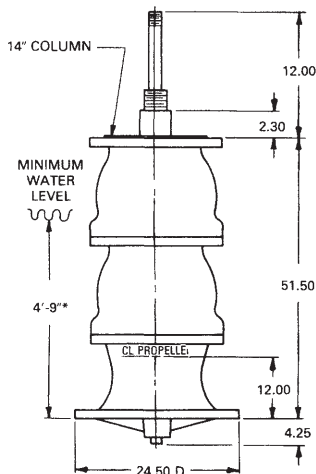
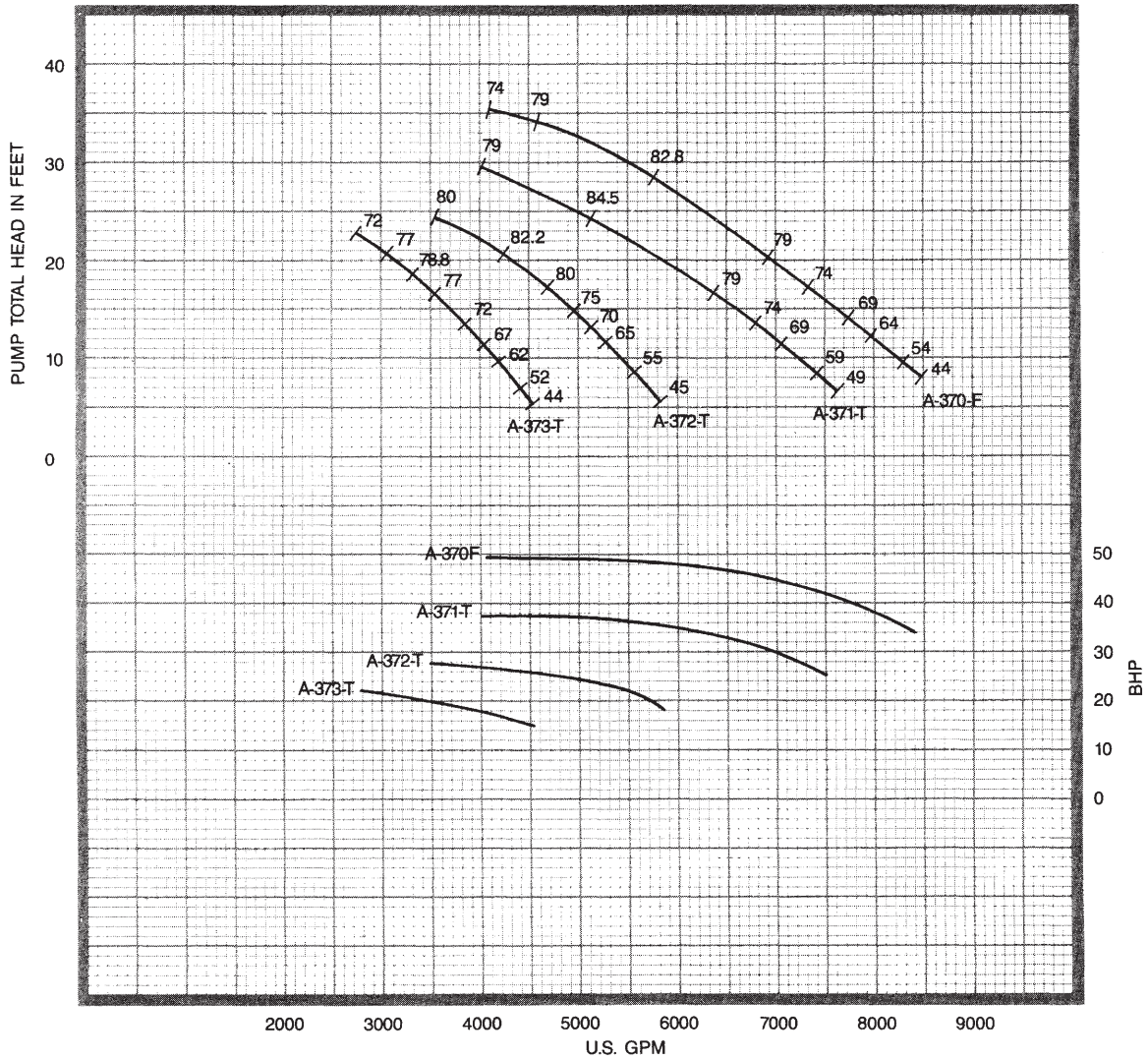
PUMP PERFORMANCE SHOWN IS BOWL ASSEMBLY WITH 10 FEET OF COLUMN INCLUDING A STANDARD ABOVE GROUND DISCHARGE ELBOW. ADDITIONAL COLUMN LOSSES SHOULD BE ADDED WHEN SETTINGS ARE DEEPER THAN 10 FEET AND/OR FOR OTHER DISCHARGE ARRANGEMENTS.



*This value is the minimum submergence required to prevent vortexing only. This value may need to be increased to provide adequate NPSHA.

16"
8312
705
RPM
2
STAGE

16"
COLUMN
16"
FABRICATED
STEEL ELBOW
1-11/16"
LINESHAFT
2-1/2"
ENCLOSING
TUBE

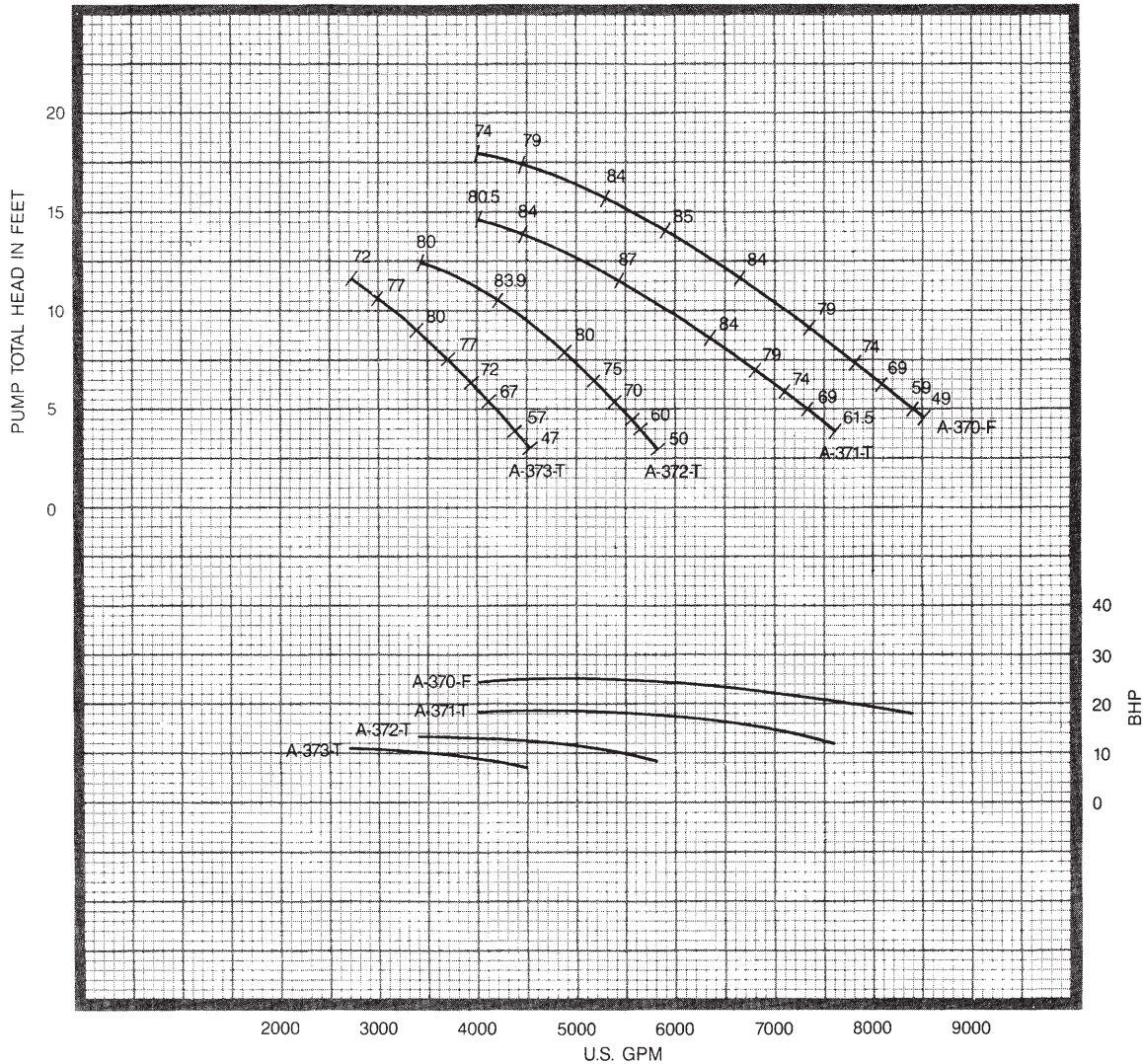


*This value is the minimum submergence required to prevent vortexing only. This value may need to be increased to provide adequate NPSHA.

DATA		VALUE
PUMP SHAFT DIAMETER		1.6875 IN.
MAXIMUM SPHERE SIZE		2.63 IN.
K _t (THRUST FACTOR)		62 LBS./FT.
K _a (TOTAL ROTOR WEIGHT)		132 LBS.
K _s (SETTING CONSTANT)		7.6 LBS./FT.
WK ²		28 LBS.-FT. ²
BOWL ASSEMBLY WEIGHT		1025 LBS.
Eye Area:	PROPELLER NO. A-372-T	124.0 SQ. IN. 3 VANE
	PROPELLER NO. A-373-T	124.0 SQ. IN. 3 VANE
	PROPELLER NO. A-370-F	124.0 SQ. IN. 4 VANE
	PROPELLER NO. A-371-T	124.0 SQ. IN. 3 VANE
PROPELLER NO.		
PROPELLER NO.		

HYDRAULIC PERFORMANCE IS CONTINGENT ON FURNISHING THE PUMP WITH SPECIFIED AMOUNT OF CLEAR, FRESH, NON-AERATED WATER NOT TO EXCEED 85° F.

PUMP PERFORMANCE SHOWN IS BOWL ASSEMBLY WITH 10 FEET OF COLUMN INCLUDING A STANDARD ABOVE GROUND DISCHARGE ELBOW. ADDITIONAL COLUMN LOSSES SHOULD BE ADDED WHEN SETTINGS ARE DEEPER THAN 10 FEET AND/OR FOR OTHER DISCHARGE ARRANGEMENTS.



16"
8312

705
RPM

1
STAGE

20"
COLUMN

20"
FABRICATED
STEEL ELBOW

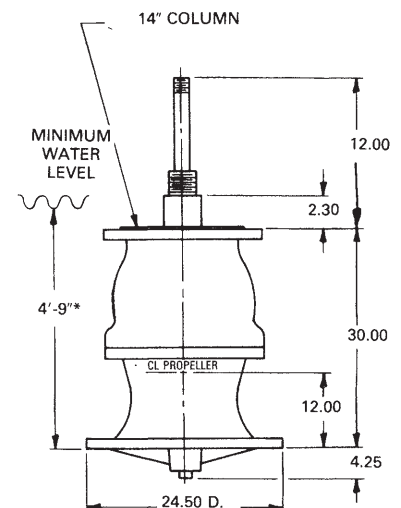
1-1/2"
LINESHAFT

2-1/2"
ENCLOSING
TUBE

DATA	VALUE
PUMP SHAFT DIAMETER	1.6875 IN.
MAXIMUM SPHERE SIZE	2.63 IN.
K _t (THRUST FACTOR)	62 LBS./FT.
K _a (TOTAL ROTOR WEIGHT)	66 LBS.
K _s (SETTING CONSTANT)	5.5 LBS./FT.
WK ²	14 LBS.-FT. ²
BOWL ASSEMBLY WEIGHT	625 LBS.
EYE AREA: PROPELLER NO. A-372-T	124.0 SQ. IN. 3 VANE
PROPELLER NO. A-373-T	124.0 SQ. IN. 3 VANE
PROPELLER NO. A-370-F	124.0 SQ. IN. 4 VANE
PROPELLER NO. A-371-T	124.0 SQ. IN. 3 VANE
PROPELLER NO.	
PROPELLER NO.	

HYDRAULIC PERFORMANCE IS CONTINGENT ON FURNISHING THE PUMP WITH SPECIFIED AMOUNT OF CLEAR, FRESH, NON-AERATED WATER NOT TO EXCEED 85° F.

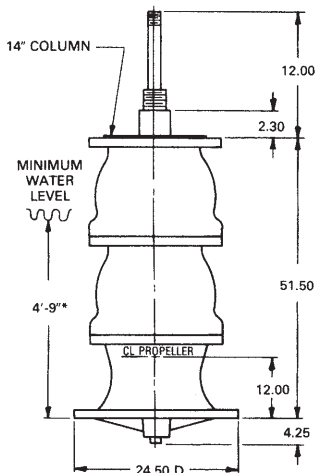
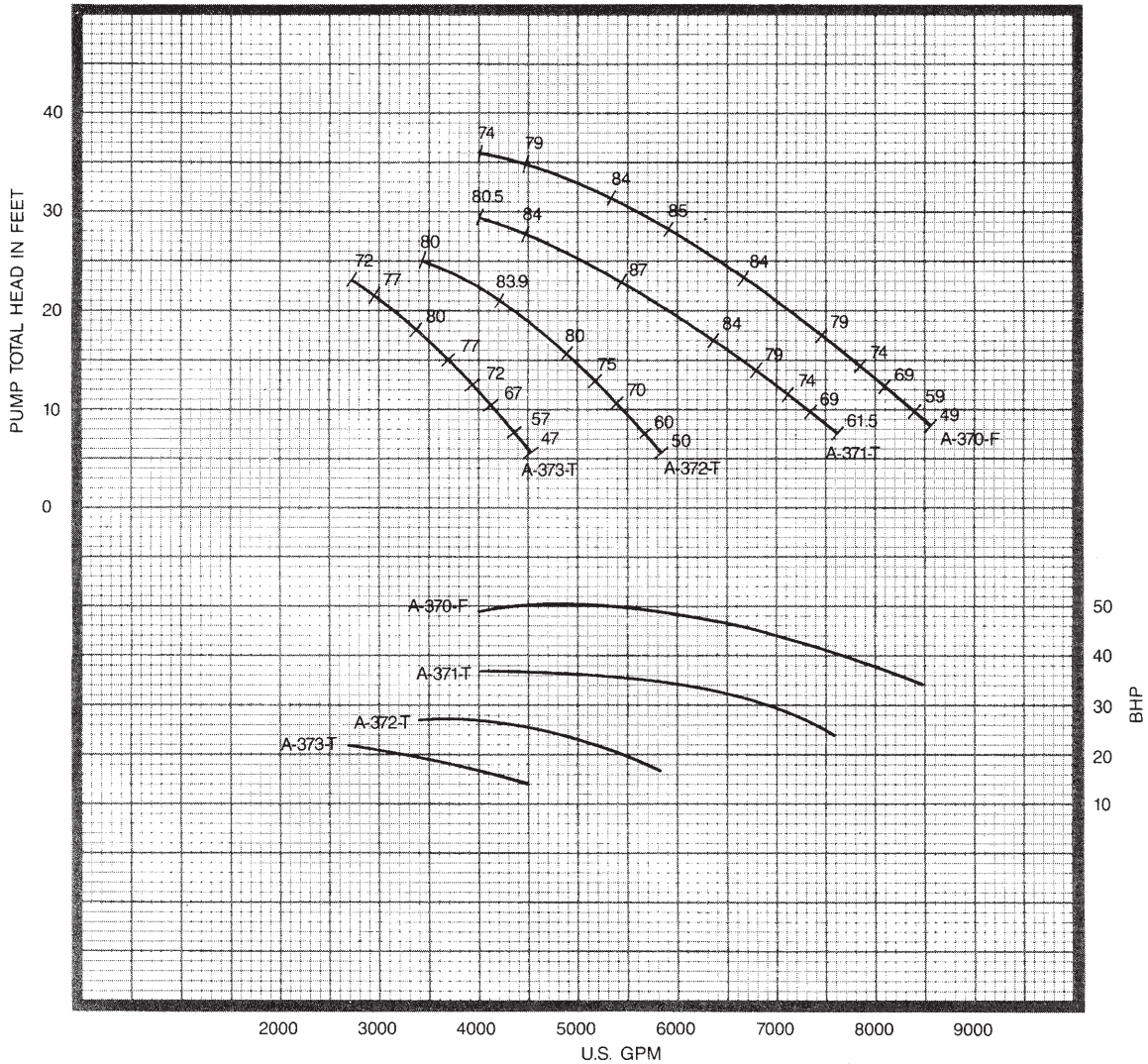
PUMP PERFORMANCE SHOWN IS BOWL ASSEMBLY WITH 10 FEET OF COLUMN INCLUDING A STANDARD ABOVE GROUND DISCHARGE ELBOW. ADDITIONAL COLUMN LOSSES SHOULD BE ADDED WHEN SETTINGS ARE DEEPER THAN 10 FEET AND/OR FOR OTHER DISCHARGE ARRANGEMENTS.



*This value is the minimum submergence required to prevent vortexing only. This value may need to be increased to provide adequate NPSHA.

16"
8312
705
RPM
2
STAGE

20"
COLUMN
20"
FABRICATED
STEEL ELBOW
1-11/16"
LINESHAFT
2-1/2"
ENCLOSING
TUBE

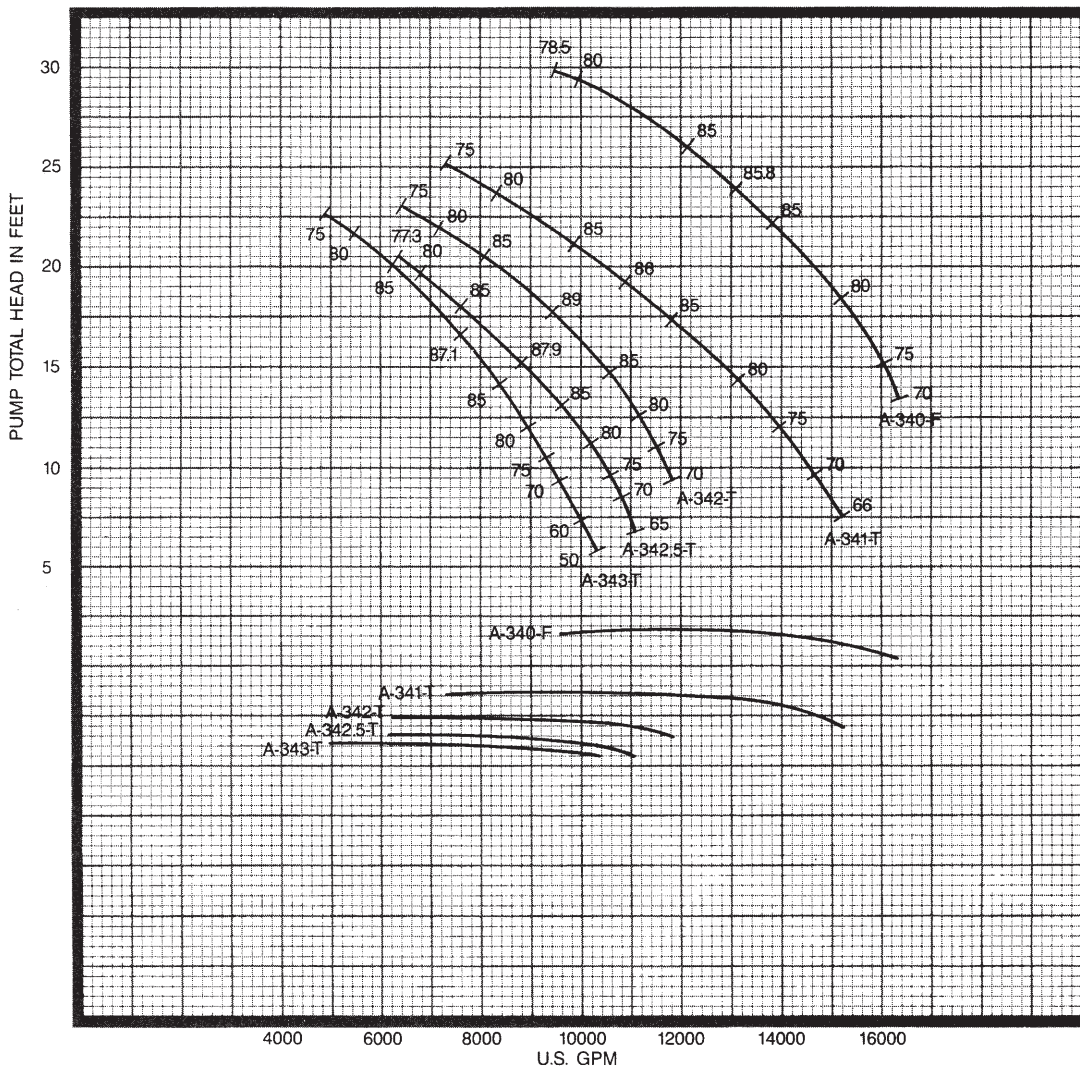


*This value is the minimum submergence required to prevent vortexing only. This value may need to be increased to provide adequate NPSHA.

DATA	VALUE
PUMP SHAFT DIAMETER	1.6875 IN.
MAXIMUM SPHERE SIZE	2.63 IN.
K _t (THRUST FACTOR)	62 LBS./FT.
K _a (TOTAL ROTOR WEIGHT)	132 LBS.
K _s (SETTING CONSTANT)	7.6 LBS./FT.
WK ²	28 LBS.-FT. ²
BOWL ASSEMBLY WEIGHT	1025 LBS.
EYE AREA: PROPELLER NO. A-372-T	124.0 SQ. IN. 3 VANE
PROPELLER NO. A-373-T	124.0 SQ. IN. 3 VANE
PROPELLER NO. A-370-F	124.0 SQ. IN. 4 VANE
PROPELLER NO. A-371-T	124.0 SQ. IN. 3 VANE
PROPELLER NO.	
PROPELLER NO.	

HYDRAULIC PERFORMANCE IS CONTINGENT ON FURNISHING THE PUMP WITH SPECIFIED AMOUNT OF CLEAR, FRESH, NON-AERATED WATER NOT TO EXCEED 85° F.

PUMP PERFORMANCE SHOWN IS BOWL ASSEMBLY WITH 10 FEET OF COLUMN INCLUDING A STANDARD ABOVE GROUND DISCHARGE ELBOW. ADDITIONAL COLUMN LOSSES SHOULD BE ADDED WHEN SETTINGS ARE DEEPER THAN 10 FEET AND/OR FOR OTHER DISCHARGE ARRANGEMENTS.



20"
8312

705
RPM

1
STAGE

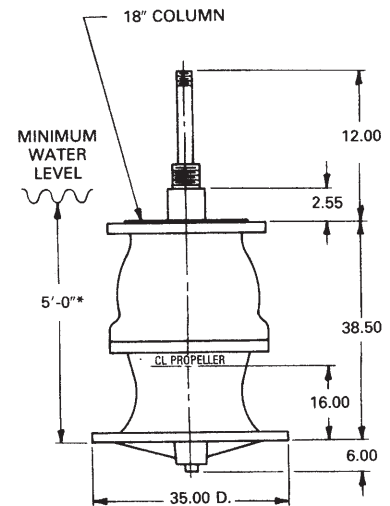
20"
COLUMN
20"
FABRICATED
STEEL
ELBOW
1-11/16"
LINESHAFT
2-1/2"
ENCLOSING
TUBE

100
75
50
25
BHP

DATA	VALUE
PUMP SHAFT DIAMETER	1.9375 IN.
MAXIMUM SPHERE SIZE	3.38 IN.
K _t (THRUST FACTOR)	101 LBS./FT.
K _a (TOTAL ROTOR WEIGHT)	125 LBS.
K _s (SETTING CONSTANT)	7.6 LBS./FT.
WK ²	43 LBS.-FT. ²
BOWL ASSEMBLY WEIGHT	1300 LBS.
EYE AREA: PROPELLER NO. A-340-F	203.0 SQ. IN. 4 VANE
PROPELLER NO. A-341-T	203.0 SQ. IN. 3 VANE
PROPELLER NO. A-342-T	203.0 SQ. IN. 3 VANE
PROPELLER NO. A-342.5-T	203.0 SQ. IN. 3 VANE
PROPELLER NO. A-343-T	203.0 SQ. IN. 3 VANE
PROPELLER NO.	203.0 SQ. IN. 3 VANE

HYDRAULIC PERFORMANCE IS CONTINGENT ON FURNISHING THE PUMP WITH SPECIFIED AMOUNT OF CLEAR, FRESH, NON-AERATED WATER NOT TO EXCEED 85° F.

PUMP PERFORMANCE SHOWN IS BOWL ASSEMBLY WITH 10 FEET OF COLUMN INCLUDING A STANDARD ABOVE GROUND DISCHARGE ELBOW. ADDITIONAL COLUMN LOSSES SHOULD BE ADDED WHEN SETTINGS ARE DEEPER THAN 10 FEET AND/OR FOR OTHER DISCHARGE ARRANGEMENTS.



*This value is the minimum submergence required to prevent vortexing only. This value may need to be increased to provide adequate NPSHA.

20"
8312

705
RPM

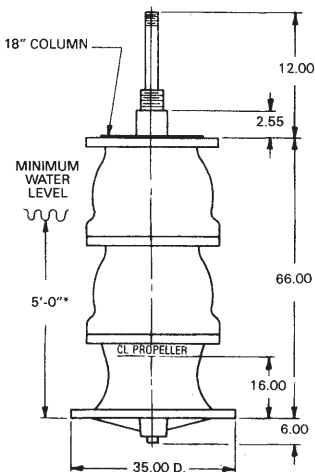
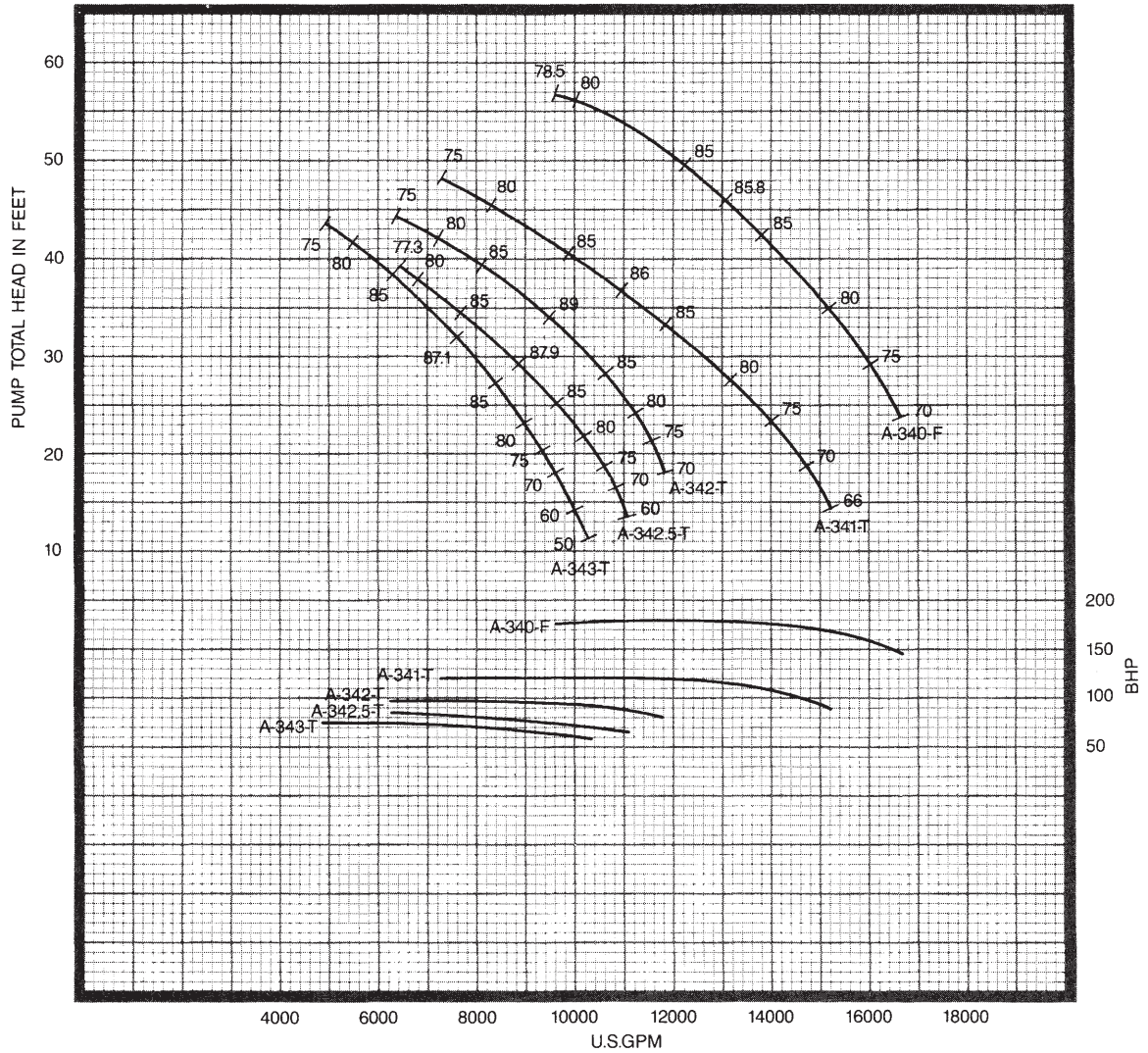
2
STAGE

20"
COLUMN

20"
FABRICATED
STEEL
ELBOW

1-15/16"
LINESHAFT

3"
ENCLOSING
TUBE

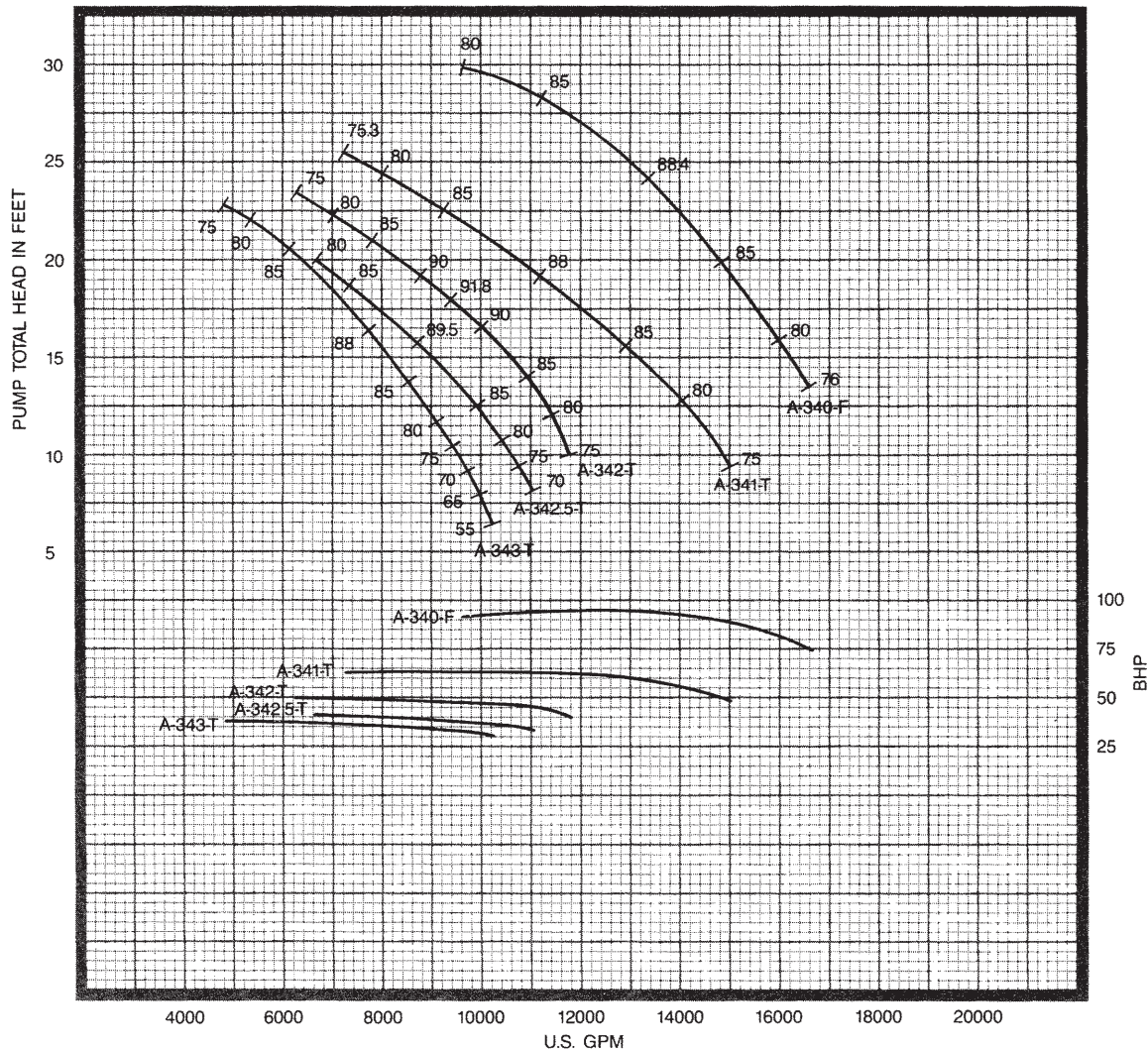


*This value is the minimum submergence required to prevent vortexing only. This value may need to be increased to provide adequate NPSHA.

DATA	VALUE
PUMP SHAFT DIAMETER	1.9375 IN.
MAXIMUM SPHERE SIZE	3.38 IN.
K _t (THRUST FACTOR)	101 LBS./FT.
K _a (TOTAL ROTOR WEIGHT)	250 LBS.
K _s (SETTING CONSTANT)	10.0 LBS./FT.
WK ²	86 LBS.-FT. ²
BOWL ASSEMBLY WEIGHT	2150 LBS.
EYE AREA: PROPELLER NO. A-340-F	203.0 SQ. IN. 4 VANE
PROPELLER NO. A-341-T	203.0 SQ. IN. 3 VANE
PROPELLER NO. A-342-T	203.0 SQ. IN. 3 VANE
PROPELLER NO. A-342.5-T	203.0 SQ. IN. 3 VANE
PROPELLER NO. A-343-T	203.0 SQ. IN. 3 VANE
PROPELLER NO.	

HYDRAULIC PERFORMANCE IS CONTINGENT ON FURNISHING THE PUMP WITH SPECIFIED AMOUNT OF CLEAR, FRESH, NON-AERATED WATER NOT TO EXCEED 85° F.

PUMP PERFORMANCE SHOWN IS BOWL ASSEMBLY WITH 10 FEET OF COLUMN INCLUDING A STANDARD ABOVE GROUND DISCHARGE ELBOW. ADDITIONAL COLUMN LOSSES SHOULD BE ADDED WHEN SETTINGS ARE DEEPER THAN 10 FEET AND/OR FOR OTHER DISCHARGE ARRANGEMENTS.



20"
8312

705
RPM

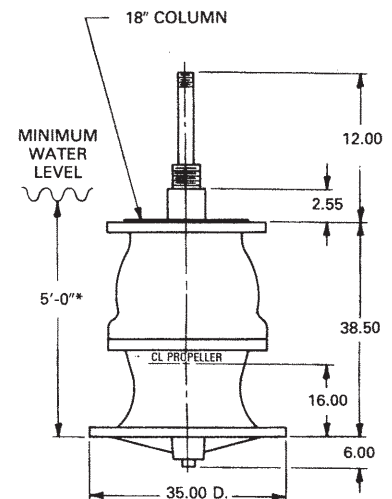
1
STAGE

24"
COLUMN
24"
FABRICATED
STEEL
ELBOW
1-11/16"
LINESHAFT
2-1/2"
ENCLOSING
TUBE

DATA	VALUE
PUMP SHAFT DIAMETER	1.9375 IN.
MAXIMUM SPHERE SIZE	3.38 IN.
K _t (THRUST FACTOR)	101 LBS./FT.
K _a (TOTAL ROTOR WEIGHT)	125 LBS.
K _s (SETTING CONSTANT)	7.6 LBS./FT.
WK ²	43 LBS.-FT. ²
BOWL ASSEMBLY WEIGHT	1300 LBS.
EYE AREA: PROPELLER NO. A-340-F	203.0 SQ. IN. 4 VANE
PROPELLER NO. A-341-T	203.0 SQ. IN. 3 VANE
PROPELLER NO. A-342-T	203.0 SQ. IN. 3 VANE
PROPELLER NO. A-342.5-T	203.0 SQ. IN. 3 VANE
PROPELLER NO. A-343-T	203.0 SQ. IN. 3 VANE
PROPELLER NO.	

HYDRAULIC PERFORMANCE IS CONTINGENT ON FURNISHING THE PUMP WITH SPECIFIED AMOUNT OF CLEAR, FRESH, NON-AERATED WATER NOT TO EXCEED 85° F.

PUMP PERFORMANCE SHOWN IS BOWL ASSEMBLY WITH 10 FEET OF COLUMN INCLUDING A STANDARD ABOVE GROUND DISCHARGE ELBOW. ADDITIONAL COLUMN LOSSES SHOULD BE ADDED WHEN SETTINGS ARE DEEPER THAN 10 FEET AND/OR FOR OTHER DISCHARGE ARRANGEMENTS.



*This value is the minimum submergence required to prevent vortexing only. This value may need to be increased to provide adequate NPSHA.

20"
8312

705
RPM

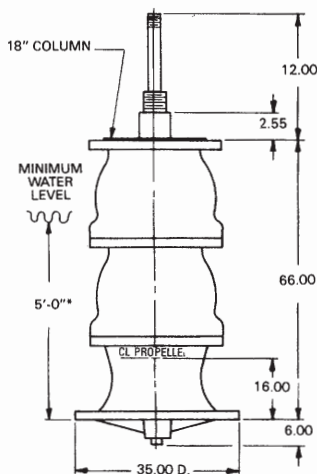
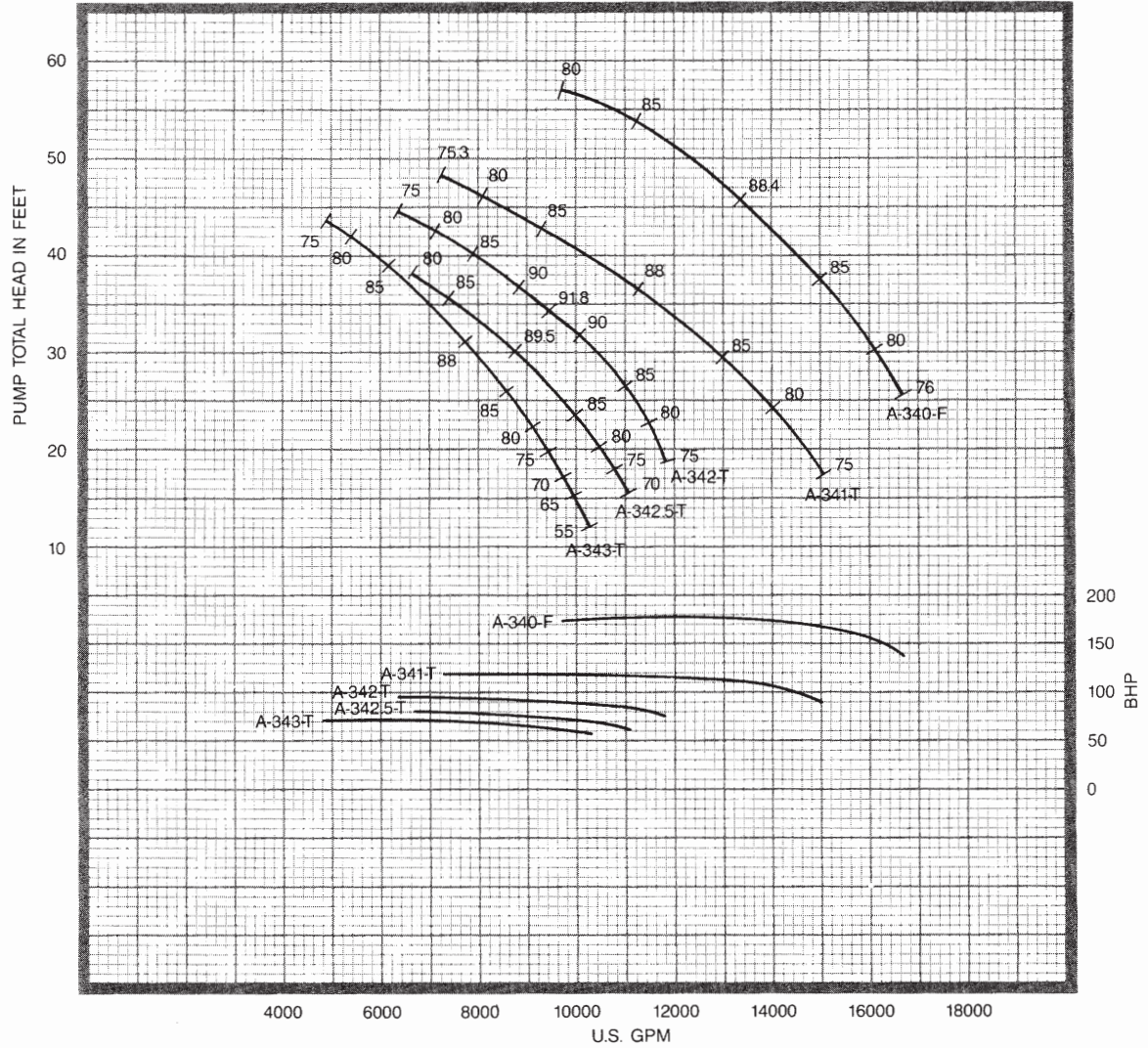
2
STAGE

24"
COLUMN

24"
FABRICATED
STEEL
ELBOW

1-15/16"
LINESHAFT

3"
ENCLOSING
TUBE

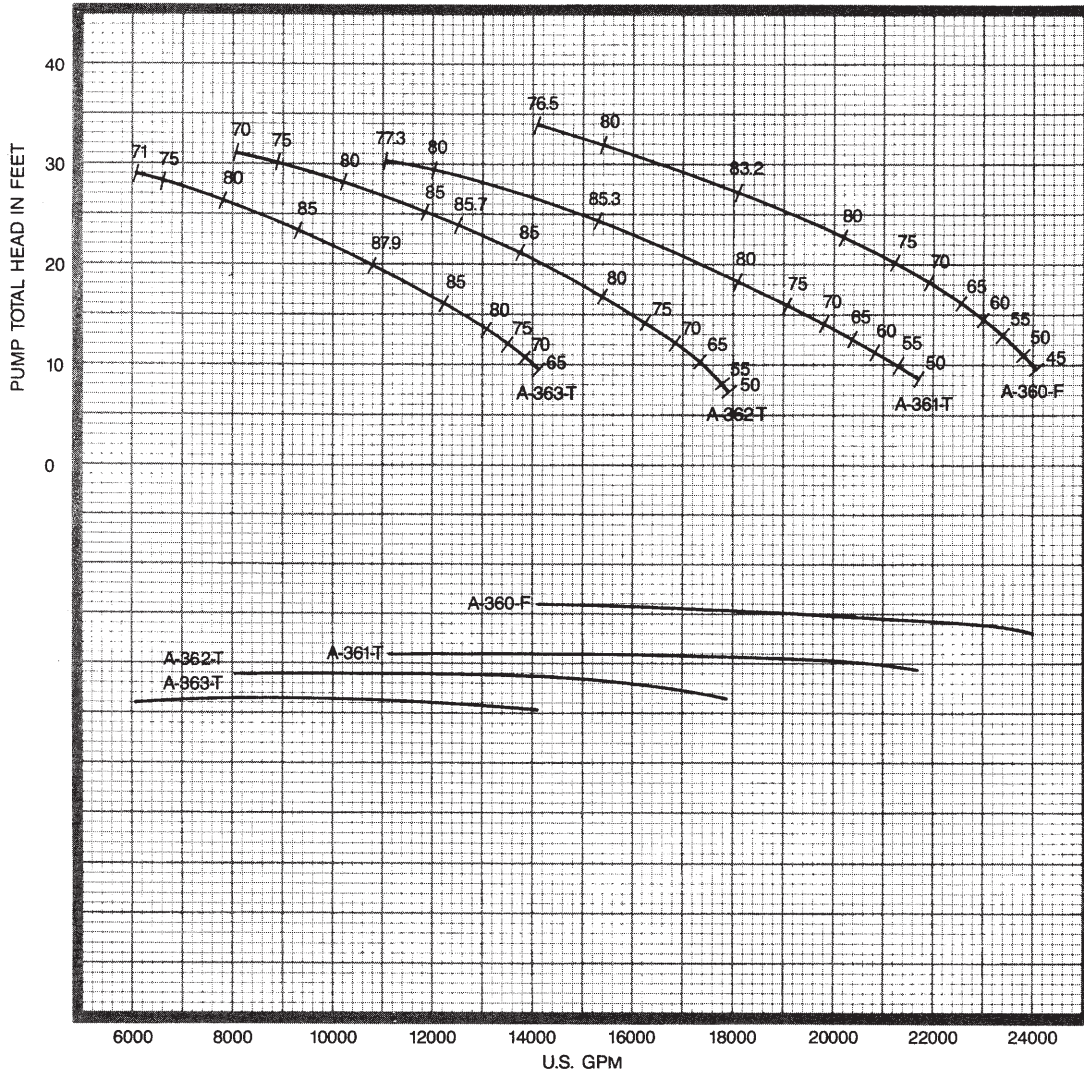


*This value is the minimum submergence required to prevent vortexing only. This value may need to be increased to provide adequate NPSHA.

DATA	VALUE
PUMP SHAFT DIAMETER	1.9375 IN.
MAXIMUM SPHERE SIZE	3.38 IN.
K _t (THRUST FACTOR)	101 LBS./FT.
K _a (TOTAL ROTOR WEIGHT)	250 LBS.
K _s (SETTING CONSTANT)	10.0 LBS./FT.
WK ²	86 LBS.-FT. ²
BOWL ASSEMBLY WEIGHT	2150 LBS.
EYE AREA: PROPELLER NO. A-340-F	203.0 SQ. IN. 4 VANE
PROPELLER NO. A-341-T	203.0 SQ. IN. 3 VANE
PROPELLER NO. A-342-T	203.0 SQ. IN. 3 VANE
PROPELLER NO. A-342.5-T	203.0 SQ. IN. 3 VANE
PROPELLER NO. A-343-T	203.0 SQ. IN. 3 VANE
PROPELLER NO.	

HYDRAULIC PERFORMANCE IS CONTINGENT ON FURNISHING THE PUMP WITH SPECIFIED AMOUNT OF CLEAR, FRESH, NON-AERATED WATER NOT TO EXCEED 85° F.

PUMP PERFORMANCE SHOWN IS BOWL ASSEMBLY WITH 10 FEET OF COLUMN INCLUDING A STANDARD ABOVE GROUND DISCHARGE ELBOW. ADDITIONAL COLUMN LOSSES SHOULD BE ADDED WHEN SETTINGS ARE DEEPER THAN 10 FEET AND/OR FOR OTHER DISCHARGE ARRANGEMENTS.



24"
8312

705
RPM

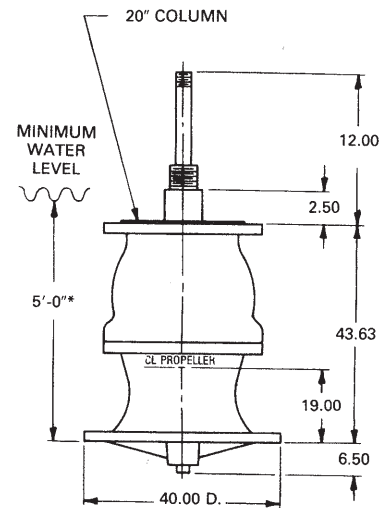
1
STAGE

24"
COLUMN
24"
FABRICATED
STEEL
ELBOW
2-3/16"
LINESHAFT
3"
ENCLOSING
TUBE

DATA	VALUE
PUMP SHAFT DIAMETER	2.4375 IN.
MAXIMUM SPHERE SIZE	3.75 IN.
K _t (THRUST FACTOR)	127 LBS./FT.
K _a (TOTAL ROTOR WEIGHT)	175 LBS.
K _s (SETTING CONSTANT)	12.8 LBS./FT.
WK ²	77 LBS.-FT. ²
BOWL ASSEMBLY WEIGHT	1700 LBS.
EYE AREA: PROPELLER NO. A-360-F	256.3 SQ. IN. 4 VANE
PROPELLER NO. A-361-T	256.3 SQ. IN. 3 VANE
PROPELLER NO. A-362-T	256.3 SQ. IN. 3 VANE
PROPELLER NO. A-363-T	256.3 SQ. IN. 3 VANE
PROPELLER NO.	
PROPELLER NO.	

HYDRAULIC PERFORMANCE IS CONTINGENT ON FURNISHING THE PUMP WITH SPECIFIED AMOUNT OF CLEAR, FRESH, NON-AERATED WATER NOT TO EXCEED 85° F.

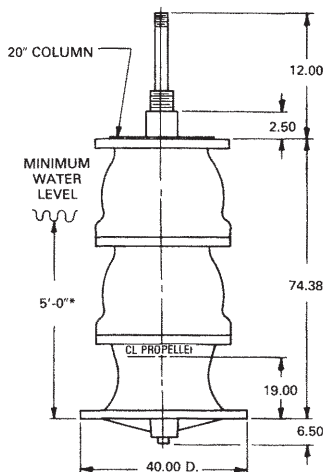
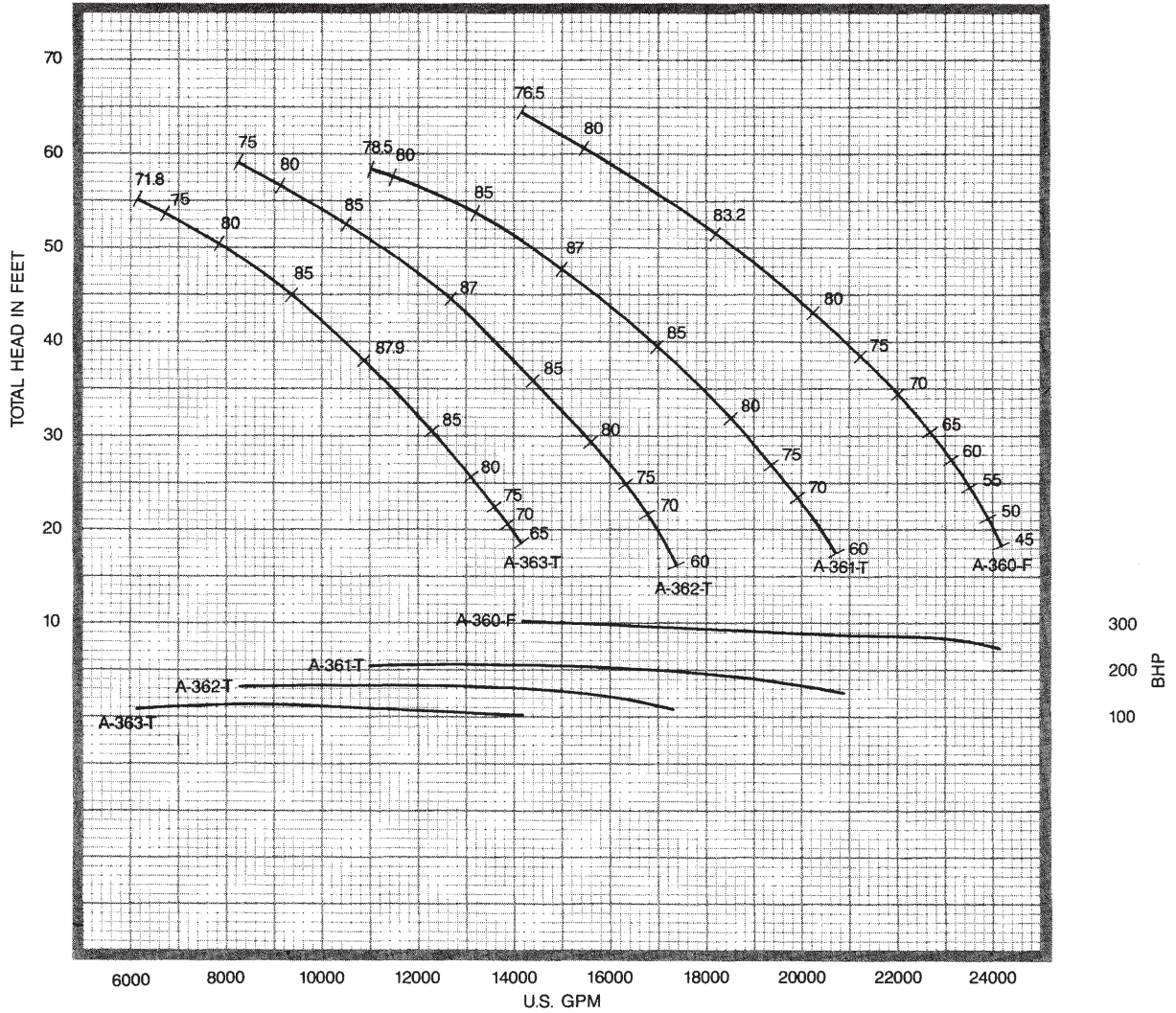
PUMP PERFORMANCE SHOWN IS BOWL ASSEMBLY WITH 10 FEET OF COLUMN INCLUDING A STANDARD ABOVE GROUND DISCHARGE ELBOW. ADDITIONAL COLUMN LOSSES SHOULD BE ADDED WHEN SETTINGS ARE DEEPER THAN 10 FEET AND/OR FOR OTHER DISCHARGE ARRANGEMENTS.



*This value is the minimum submergence required to prevent vortexing only. This value may need to be increased to provide adequate NPSHA.

24"
8312
705
RPM
2
STAGE

24"
COLUMN
24"
FABRICATED
STEEL
ELBOW
2-7/16"
LINESHAFT
3-1/2"
ENCLOSING
TUBE

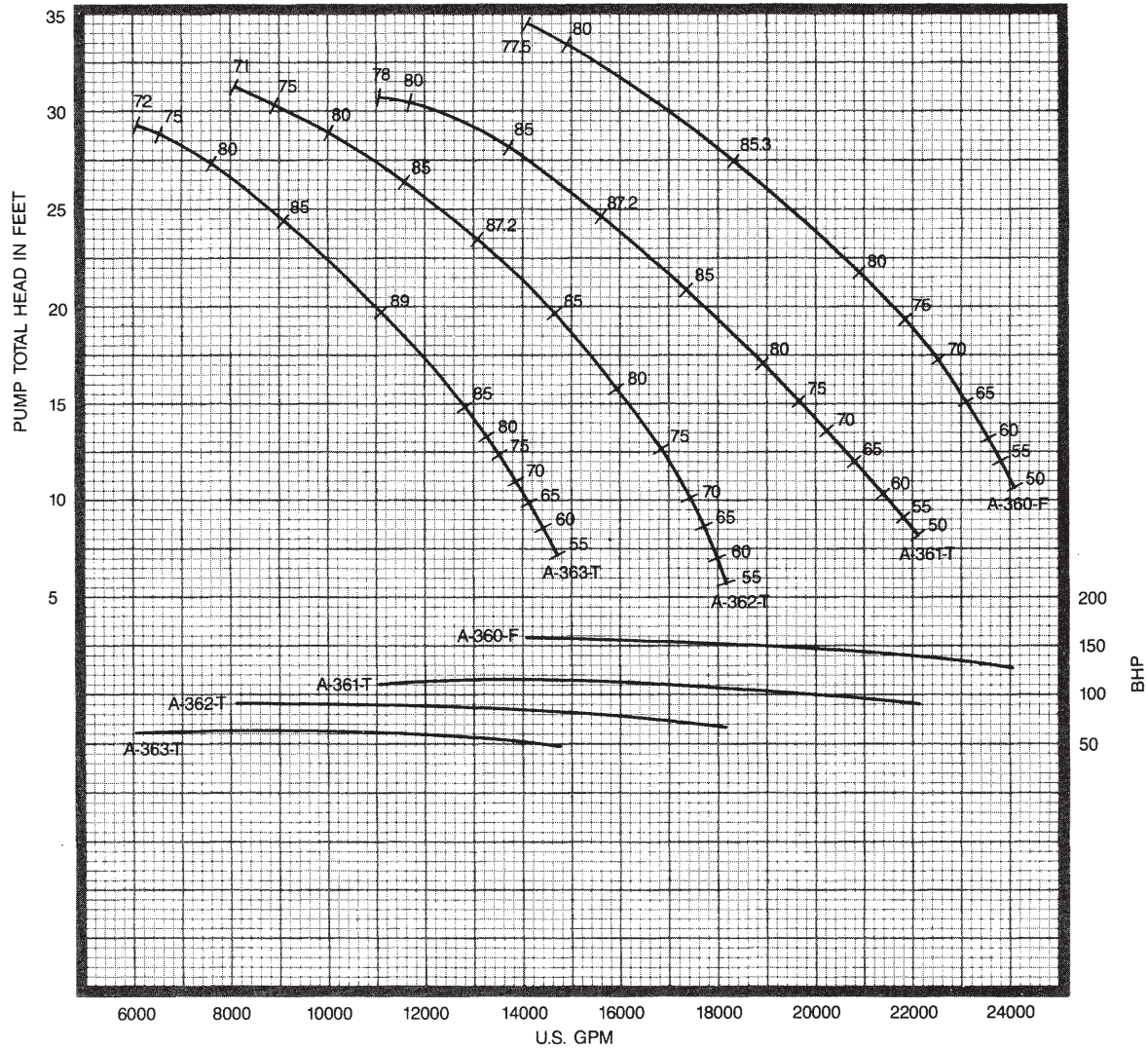


DATA		VALUE
PUMP SHAFT DIAMETER		2.4375 IN.
MAXIMUM SPHERE SIZE		3.75 IN.
K _t (THRUST FACTOR)		127 LBS./FT.
K _a (TOTAL ROTOR WEIGHT)		350 LBS.
K _s (SETTING CONSTANT)		15.9 LBS./FT.
WK ²		154 LBS.-FT. ²
BOWL ASSEMBLY WEIGHT		2800 LBS.
Eye Area:	PROPELLER NO. A-360-F	256.3 SQ. IN. 4 VANE
	PROPELLER NO. A-361-T	256.3 SQ. IN. 3 VANE
	PROPELLER NO. A-362-T	256.3 SQ. IN. 3 VANE
	PROPELLER NO. A-363-T	256.3 SQ. IN. 3 VANE
	PROPELLER NO.	
	PROPELLER NO.	

HYDRAULIC PERFORMANCE IS CONTINGENT ON FURNISHING THE PUMP WITH SPECIFIED AMOUNT OF CLEAR, FRESH, NON-AERATED WATER NOT TO EXCEED 85° F.

PUMP PERFORMANCE SHOWN IS BOWL ASSEMBLY WITH 10 FEET OF COLUMN INCLUDING A STANDARD ABOVE GROUND DISCHARGE ELBOW. ADDITIONAL COLUMN LOSSES SHOULD BE ADDED WHEN SETTINGS ARE DEEPER THAN 10 FEET AND/OR FOR OTHER DISCHARGE ARRANGEMENTS.

*This value is the minimum submergence required to prevent vortexing only. This value may need to be increased to provide adequate NPSHA.



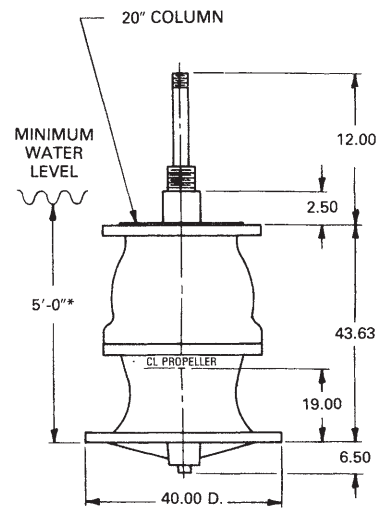
24"
8312
705
RPM
1
STAGE

30"
COLUMN
30"
FABRICATED
STEEL
ELBOW
2-3/16"
LINESHAFT
3"
ENCLOSING
TUBE

DATA	VALUE
PUMP SHAFT DIAMETER	2.4375 IN.
MAXIMUM SPHERE SIZE	3.75 IN.
K _t (THRUST FACTOR)	127 LBS./FT.
K _a (TOTAL ROTOR WEIGHT)	175 LBS.
K _s (SETTING CONSTANT)	12.8 LBS./FT.
WK ²	77 LBS.-FT. ²
BOWL ASSEMBLY WEIGHT	1700 LBS.
EYE AREA: PROPELLER NO. A-360-F	256.3 SQ. IN. 4 VANE
PROPELLER NO. A-361-T	256.3 SQ. IN. 3 VANE
PROPELLER NO. A-362-T	256.3 SQ. IN. 3 VANE
PROPELLER NO. A-363-T	256.3 SQ. IN. 3 VANE
PROPELLER NO.	
PROPELLER NO.	

HYDRAULIC PERFORMANCE IS CONTINGENT ON FURNISHING THE PUMP WITH SPECIFIED AMOUNT OF CLEAR, FRESH, NON-AERATED WATER NOT TO EXCEED 85° F.

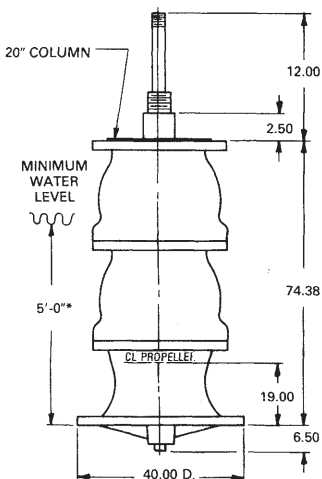
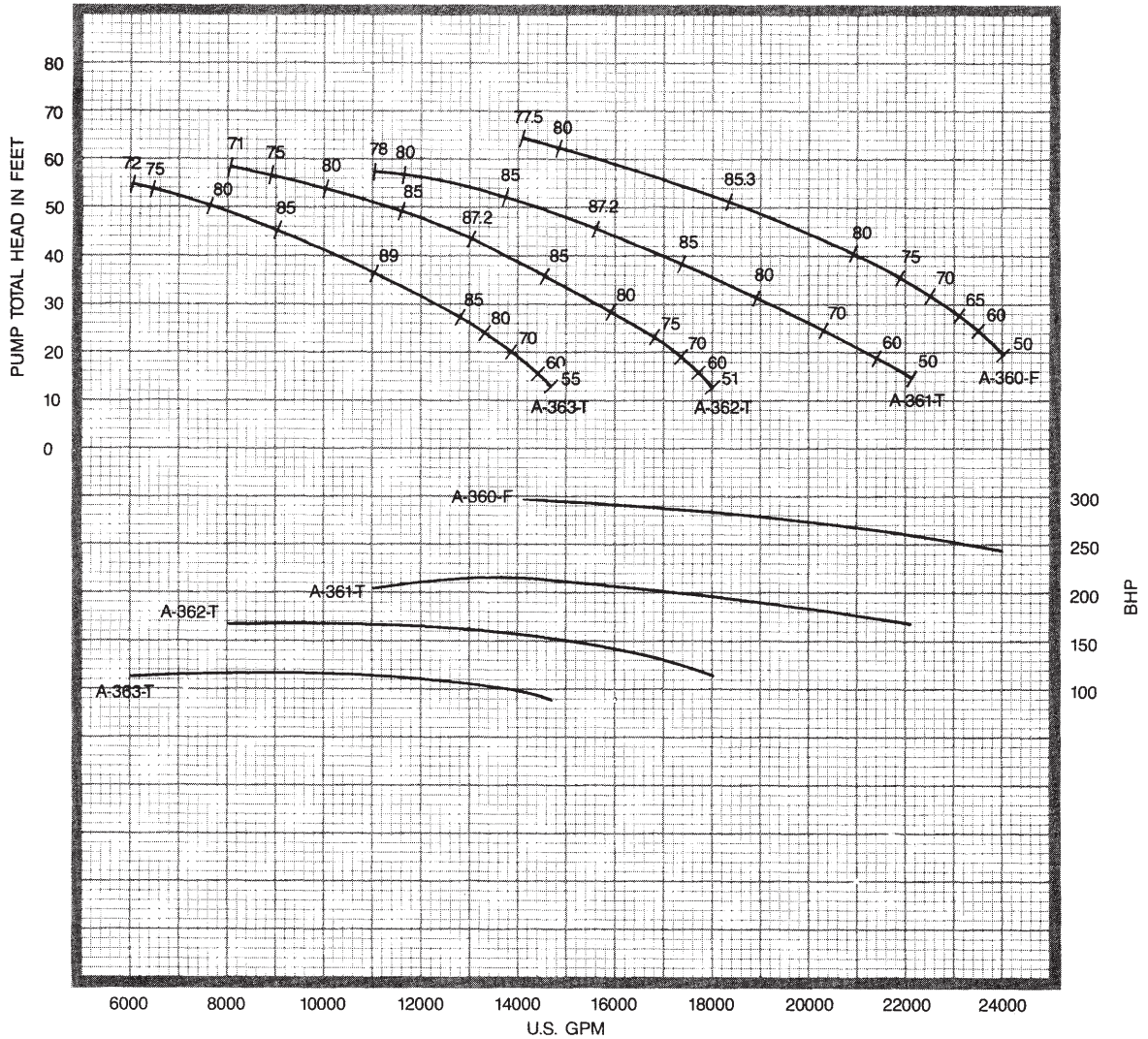
PUMP PERFORMANCE SHOWN IS BOWL ASSEMBLY WITH 10 FEET OF COLUMN INCLUDING A STANDARD ABOVE GROUND DISCHARGE ELBOW. ADDITIONAL COLUMN LOSSES SHOULD BE ADDED WHEN SETTINGS ARE DEEPER THAN 10 FEET AND/OR FOR OTHER DISCHARGE ARRANGEMENTS.



*This value is the minimum submergence required to prevent vortexing only. This value may need to be increased to provide adequate NPSHA.

24"
8312
705
RPM
2
STAGE

30"
COLUMN
30"
FABRICATED
STEEL
ELBOW
2-7/16"
LINESHAFT
3-1/2"
ENCLOSING
TUBE

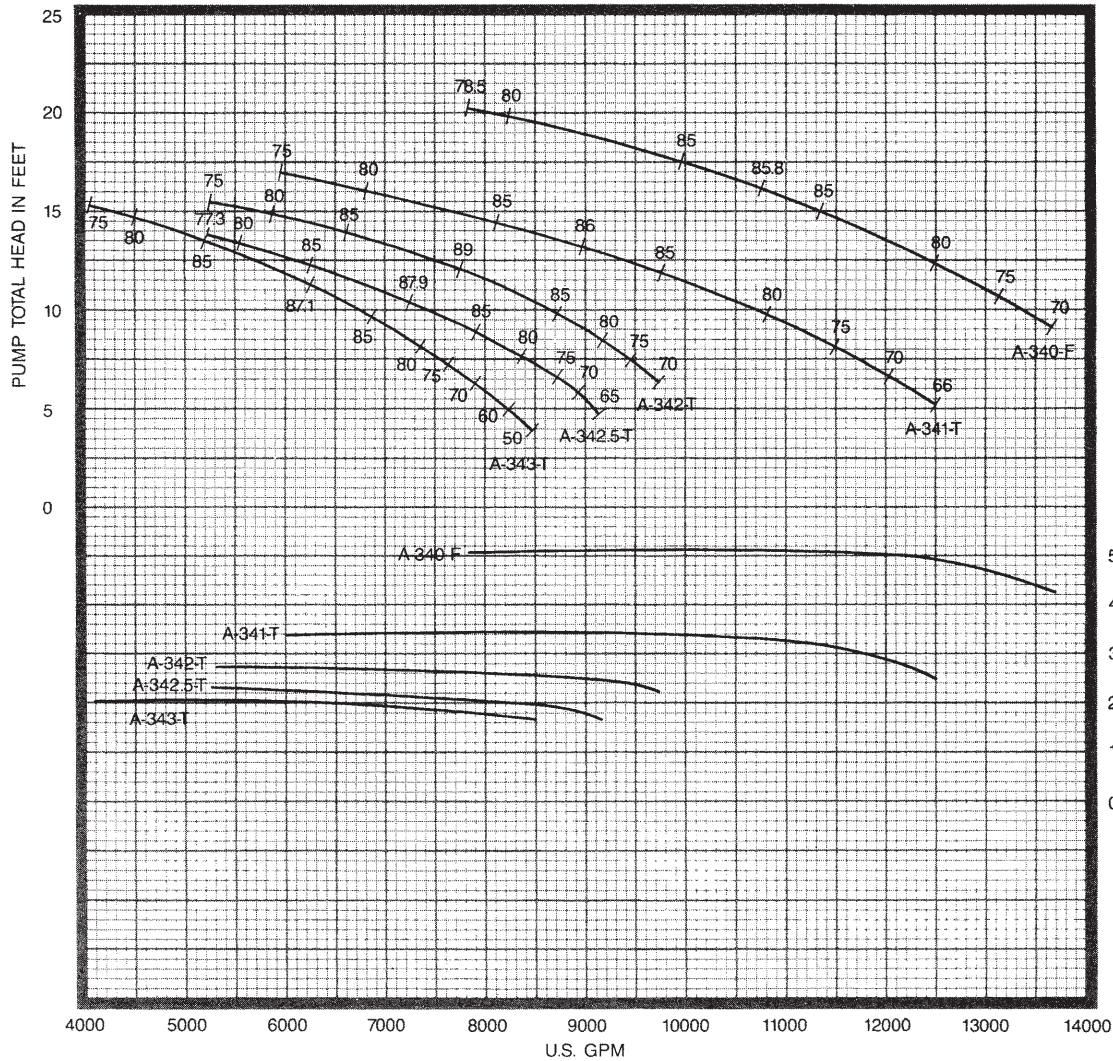


DATA	VALUE
PUMP SHAFT DIAMETER	2.4375 IN.
MAXIMUM SPHERE SIZE	3.75 IN.
K _t (THRUST FACTOR)	127 LBS./FT.
K _a (TOTAL ROTOR WEIGHT)	350 LBS.
K _s (SETTING CONSTANT)	15.9 LBS./FT.
WK ²	154 LBS.-FT. ²
BOWL ASSEMBLY WEIGHT	2800 LBS.
EYE AREA: PROPELLER NO. A-360-F	256.3 SQ. IN. 4 VANE
PROPELLER NO. A-361-T	256.3 SQ. IN. 3 VANE
PROPELLER NO. A-362-T	256.3 SQ. IN. 3 VANE
PROPELLER NO. A-363-T	256.3 SQ. IN. 3 VANE
PROPELLER NO.	
PROPELLER NO.	

HYDRAULIC PERFORMANCE IS CONTINGENT ON FURNISHING THE PUMP WITH SPECIFIED AMOUNT OF CLEAR, FRESH, NON-AERATED WATER NOT TO EXCEED 85° F.

PUMP PERFORMANCE SHOWN IS BOWL ASSEMBLY WITH 10 FEET OF COLUMN INCLUDING A STANDARD ABOVE GROUND DISCHARGE ELBOW. ADDITIONAL COLUMN LOSSES SHOULD BE ADDED WHEN SETTINGS ARE DEEPER THAN 10 FEET AND/OR FOR OTHER DISCHARGE ARRANGEMENTS.

*This value is the minimum submergence required to prevent vortexing only. This value may need to be increased to provide adequate NPSHA.



20"
8312

580
RPM

1
STAGE

20"
COLUMN

20"
FABRICATED
STEEL
ELBOW

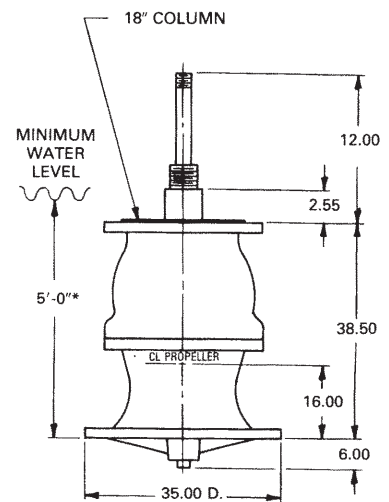
1-11/16"
LINESHAFT

2-1/2"
ENCLOSING
TUBE

DATA	VALUE
PUMP SHAFT DIAMETER	1.9375 IN.
MAXIMUM SPHERE SIZE	3.38 IN.
K _t (THRUST FACTOR)	101 LBS./FT.
K _a (TOTAL ROTOR WEIGHT)	125 LBS.
K _s (SETTING CONSTANT)	7.6 LBS./FT.
WK ²	43 LBS.-FT. ²
BOWL ASSEMBLY WEIGHT	1300 LBS.
EYE AREA: PROPELLER NO. A-340-F	203.0 SQ. IN. 4 VANE
PROPELLER NO. A-341-T	203.0 SQ. IN. 3 VANE
PROPELLER NO. A-342-T	203.0 SQ. IN. 3 VANE
PROPELLER NO. A-342.5-T	203.0 SQ. IN. 3 VANE
PROPELLER NO. A-343-T	203.0 SQ. IN. 3 VANE
PROPELLER NO.	

HYDRAULIC PERFORMANCE IS CONTINGENT ON FURNISHING THE PUMP WITH SPECIFIED AMOUNT OF CLEAR, FRESH, NON-AERATED WATER NOT TO EXCEED 85° F.

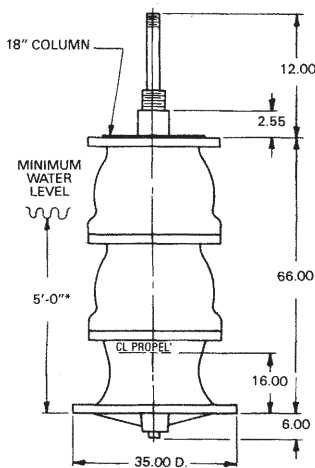
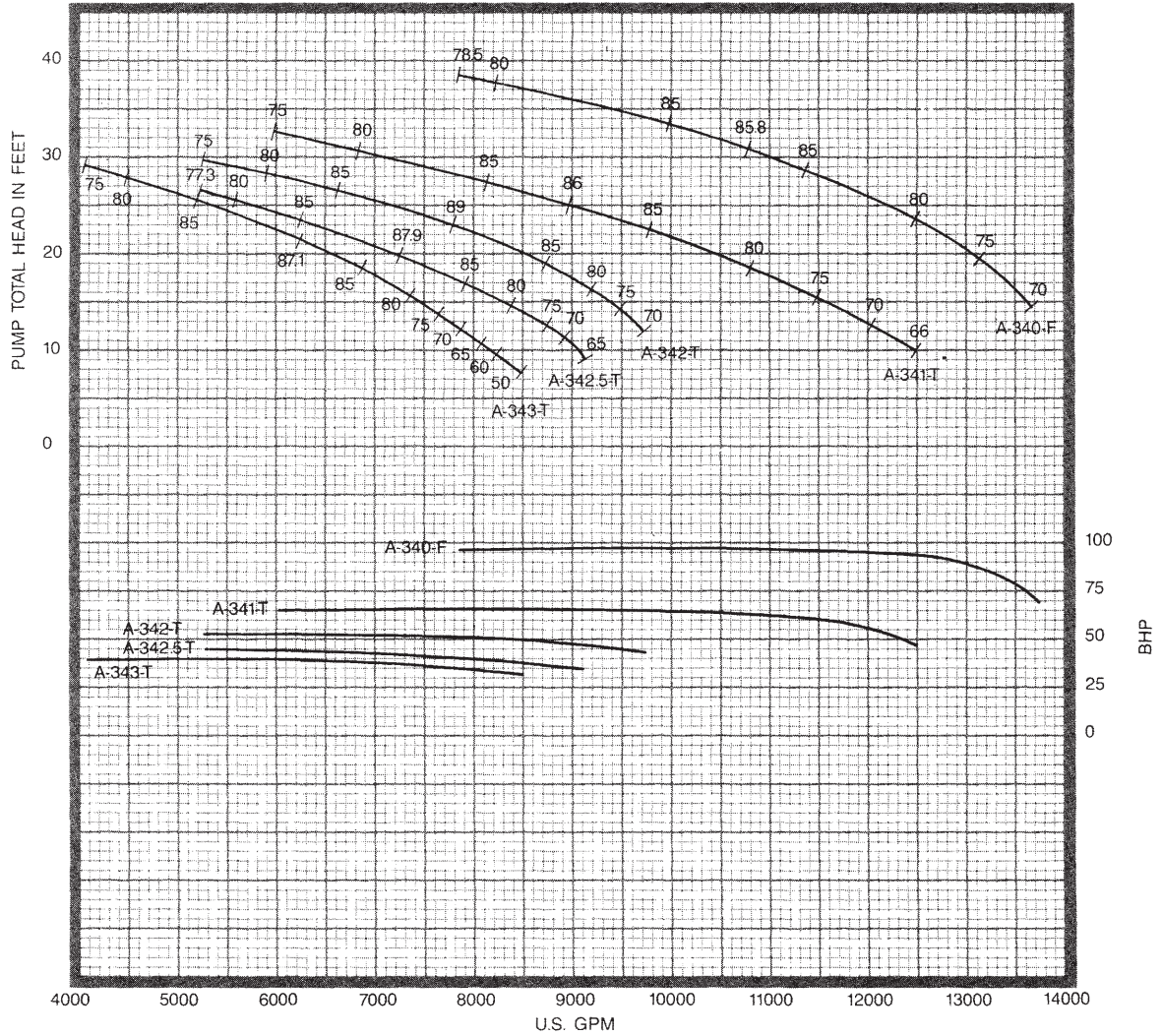
PUMP PERFORMANCE SHOWN IS BOWL ASSEMBLY WITH 10 FEET OF COLUMN INCLUDING A STANDARD ABOVE GROUND DISCHARGE ELBOW. ADDITIONAL COLUMN LOSSES SHOULD BE ADDED WHEN SETTINGS ARE DEEPER THAN 10 FEET AND/OR FOR OTHER DISCHARGE ARRANGEMENTS.



*This value is the minimum submergence required to prevent vortexing only. This value may need to be increased to provide adequate NPSHA.

20"
8312
580
RPM
2
STAGE

20"
COLUMN
20"
FABRICATED
STEEL
ELBOW
1-15/16"
LINESHAFT
3"
ENCLOSING
TUBE

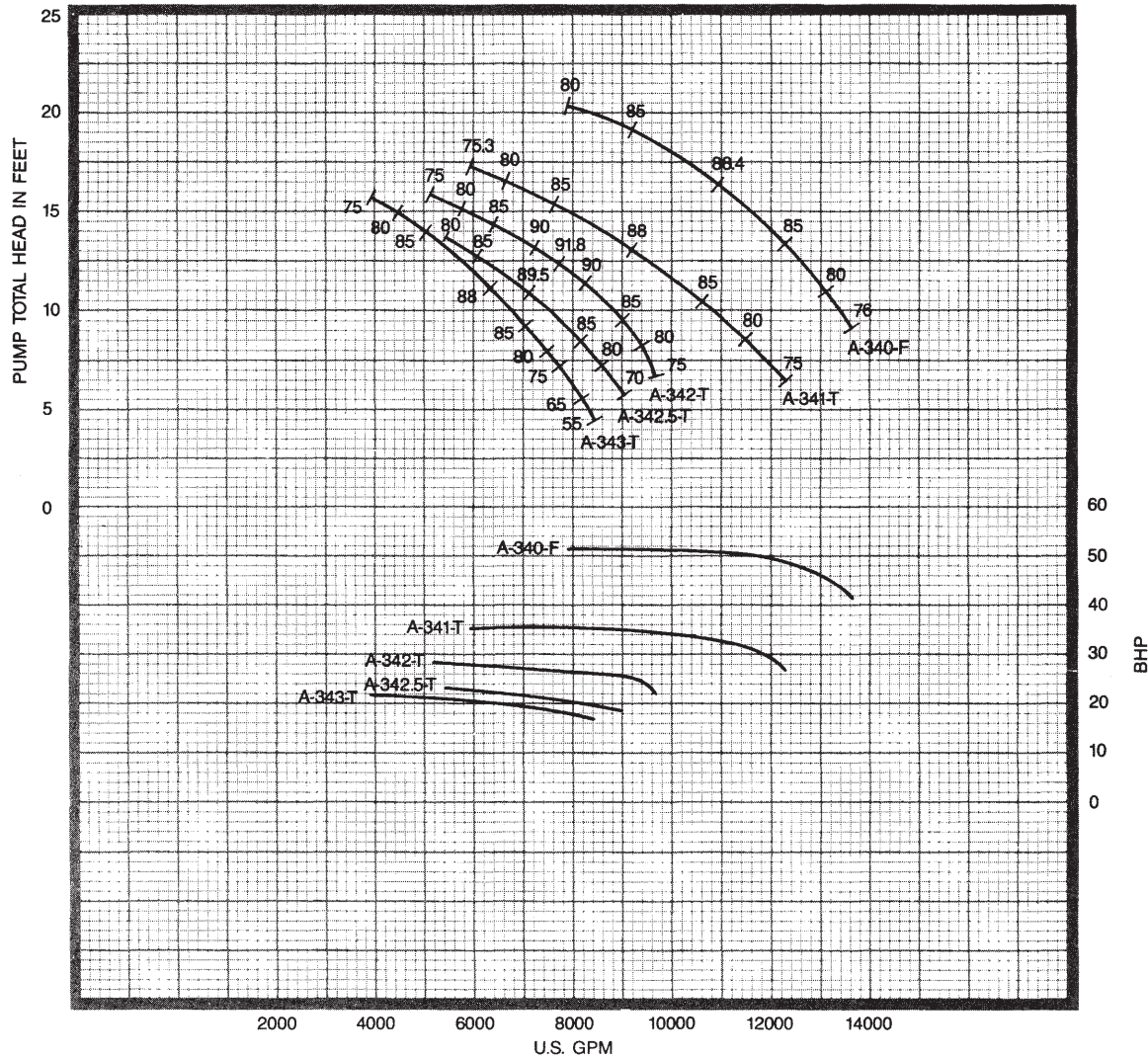


*This value is the minimum submergence required to prevent vortexing only. This value may need to be increased to provide adequate NPSHA.

DATA	VALUE
PUMP SHAFT DIAMETER	1.9375 IN.
MAXIMUM SPHERE SIZE	3.38 IN.
Kt (THRUST FACTOR)	101 LBS./FT.
Ka (TOTAL ROTOR WEIGHT)	250 LBS.
Ks (SETTING CONSTANT)	10.0 LBS./FT.
WK ²	86 LBS.-FT. ²
BOWL ASSEMBLY WEIGHT	2150 LBS.
EYE AREA: PROPELLER NO. A-340-F	203.0 SQ. IN. 4 VANE
PROPELLER NO. A-341-T	203.0 SQ. IN. 3 VANE
PROPELLER NO. A-342-T	203.0 SQ. IN. 3 VANE
PROPELLER NO. A-342.5-T	203.0 SQ. IN. 3 VANE
PROPELLER NO. A-343-T	203.0 SQ. IN. 3 VANE
PROPELLER NO.	

HYDRAULIC PERFORMANCE IS CONTINGENT ON FURNISHING THE PUMP WITH SPECIFIED AMOUNT OF CLEAR, FRESH, NON-AERATED WATER NOT TO EXCEED 85° F.

PUMP PERFORMANCE SHOWN IS BOWL ASSEMBLY WITH 10 FEET OF COLUMN INCLUDING A STANDARD ABOVE GROUND DISCHARGE ELBOW. ADDITIONAL COLUMN LOSSES SHOULD BE ADDED WHEN SETTINGS ARE DEEPER THAN 10 FEET AND/OR FOR OTHER DISCHARGE ARRANGEMENTS.



20"
8312

580
RPM

1
STAGE

24"
COLUMN

24"
FABRICATED
STEEL
ELBOW

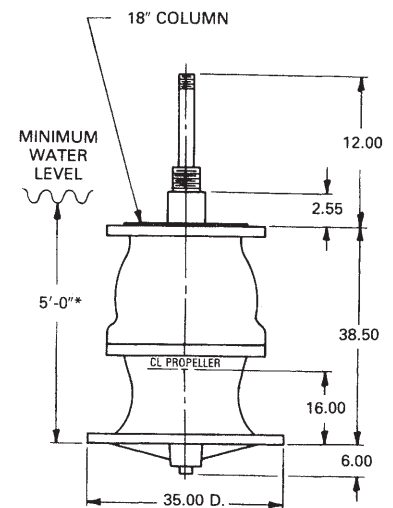
1-11/16"
LINESHAFT

2-1/2"
ENCLOSING
TUBE

DATA	VALUE
PUMP SHAFT DIAMETER	1.9375 IN.
MAXIMUM SPHERE SIZE	3.38 IN.
K _t (THRUST FACTOR)	101 LBS./FT.
K _a (TOTAL ROTOR WEIGHT)	125 LBS.
K _s (SETTING CONSTANT)	7.6 LBS./FT.
WK ²	43 LBS.-FT. ²
BOWL ASSEMBLY WEIGHT	1300 LBS.
EYE AREA: PROPELLER NO. A-340-F	203.0 SQ. IN. 4 VANE
PROPELLER NO. A-341-T	203.0 SQ. IN. 3 VANE
PROPELLER NO. A-342-T	203.0 SQ. IN. 3 VANE
PROPELLER NO. A-342.5-T	203.0 SQ. IN. 3 VANE
PROPELLER NO. A-343-T	203.0 SQ. IN. 3 VANE
PROPELLER NO.	

HYDRAULIC PERFORMANCE IS CONTINGENT ON FURNISHING THE PUMP WITH SPECIFIED AMOUNT OF CLEAR, FRESH, NON-AERATED WATER NOT TO EXCEED 85° F.

PUMP PERFORMANCE SHOWN IS BOWL ASSEMBLY WITH 10 FEET OF COLUMN INCLUDING A STANDARD ABOVE GROUND DISCHARGE ELBOW. ADDITIONAL COLUMN LOSSES SHOULD BE ADDED WHEN SETTINGS ARE DEEPER THAN 10 FEET AND/OR FOR OTHER DISCHARGE ARRANGEMENTS.



*This value is the minimum submergence required to prevent vortexing only. This value may need to be increased to provide adequate NPSHA.

20"
8312

580
RPM

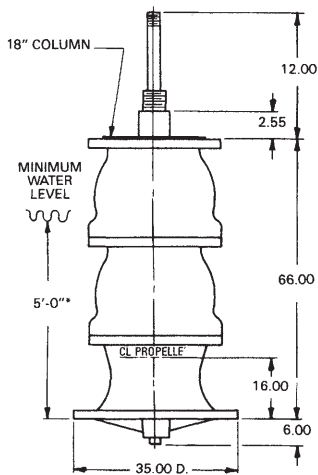
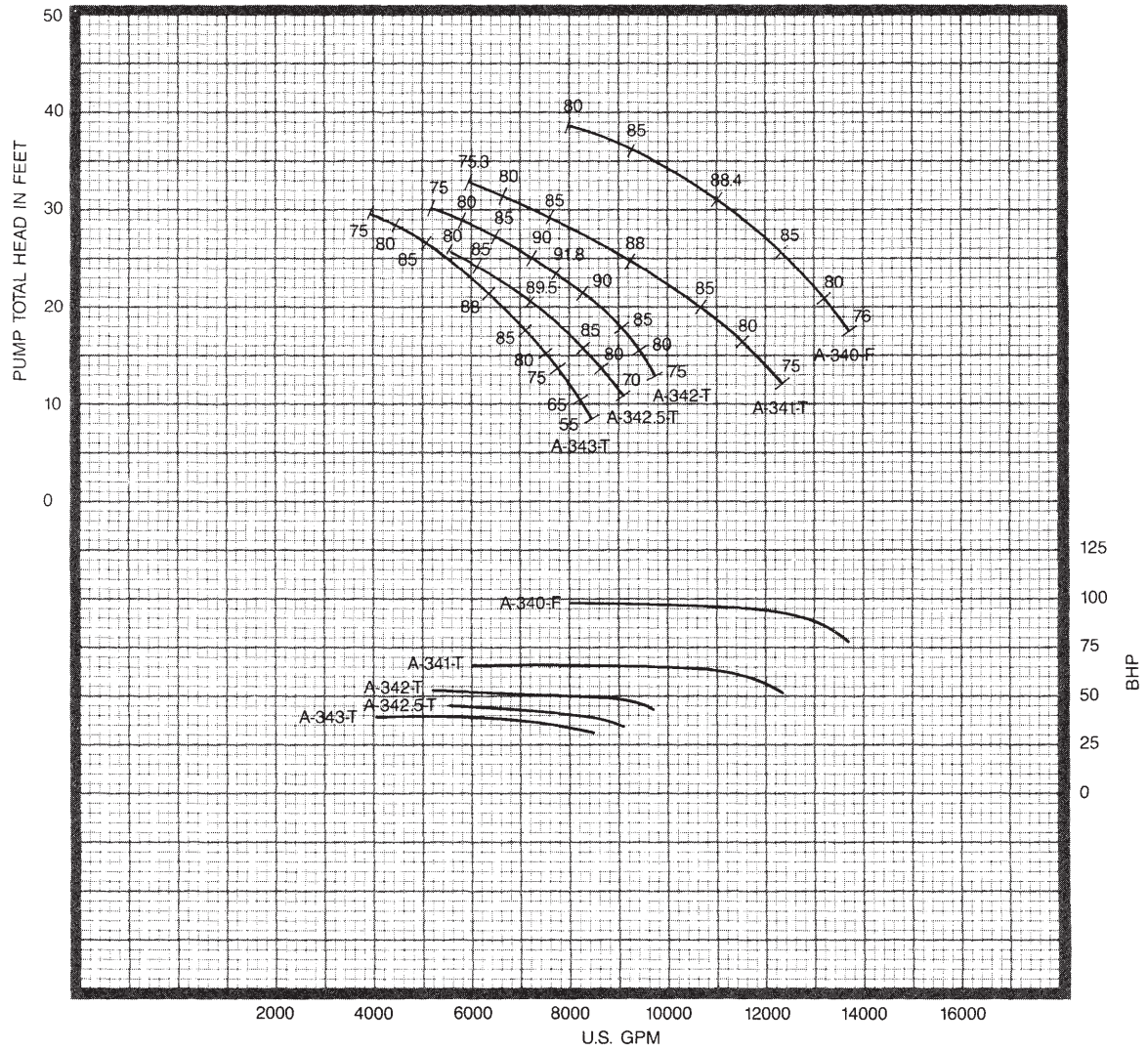
2
STAGE

24"
COLUMN

24"
FABRICATED
STEEL
ELBOW

1-15/16"
LINESHAFT

3"
ENCLOSING
TUBE

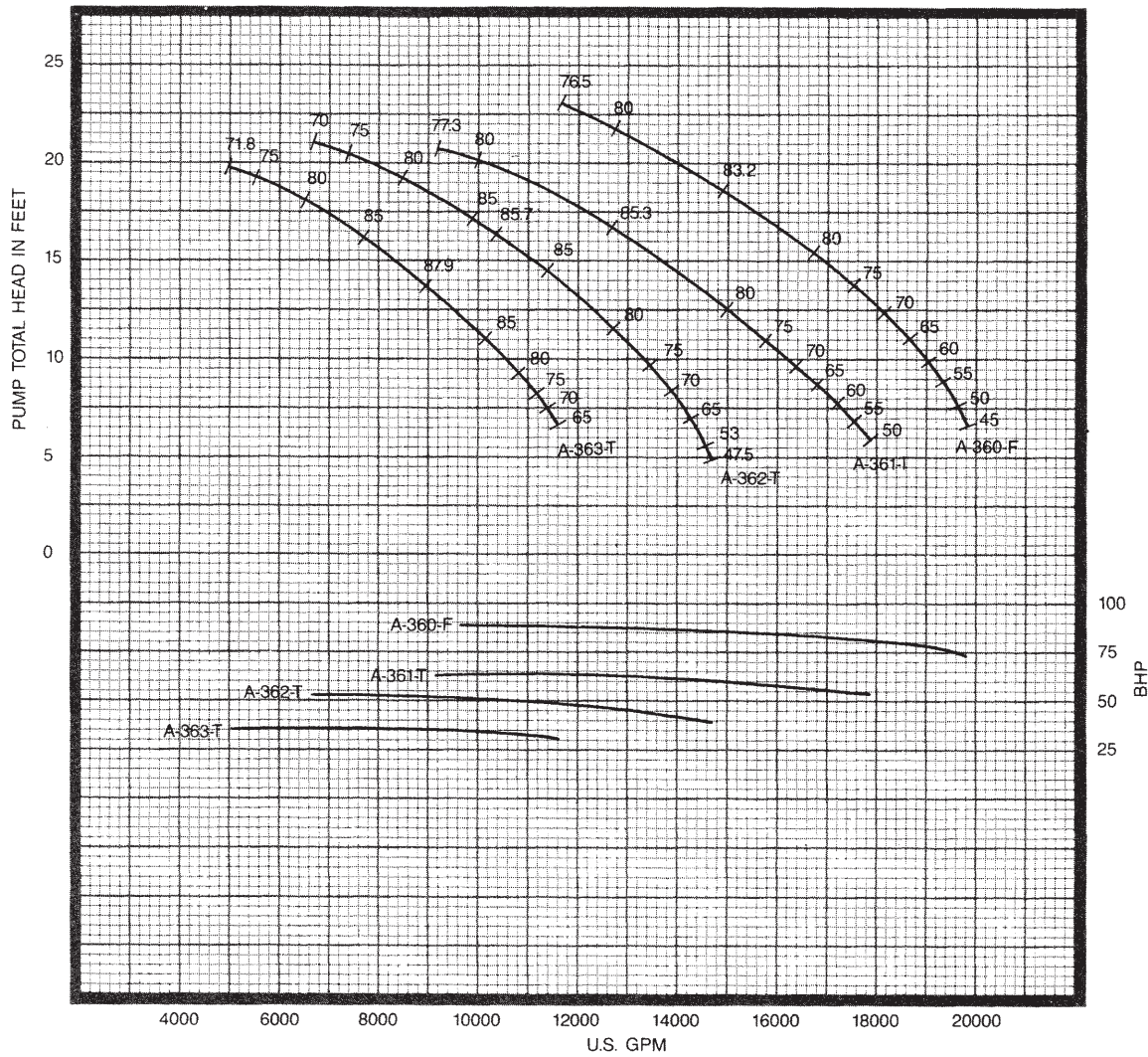


*This value is the minimum submergence required to prevent vortexing only. This value may need to be increased to provide adequate NPSHA.

DATA	VALUE
PUMP SHAFT DIAMETER	1.9375 IN.
MAXIMUM SPHERE SIZE	3.38 IN.
K _t (THRUST FACTOR)	101 LBS./FT.
K _a (TOTAL ROTOR WEIGHT)	250 LBS.
K _s (SETTING CONSTANT)	10.0 LBS./FT.
WK ²	86 LBS.-FT. ²
BOWL ASSEMBLY WEIGHT	2150 LBS.
EYE AREA: PROPELLER NO. A-340-F	203.0 SQ. IN. 4 VANE
PROPELLER NO. A-341-T	203.0 SQ. IN. 3 VANE
PROPELLER NO. A-342-T	203.0 SQ. IN. 3 VANE
PROPELLER NO. A-342.5-T	203.0 SQ. IN. 3 VANE
PROPELLER NO. A-343-T	203.0 SQ. IN. 3 VANE
PROPELLER NO.	

HYDRAULIC PERFORMANCE IS CONTINGENT ON FURNISHING THE PUMP WITH SPECIFIED AMOUNT OF CLEAR, FRESH, NON-AERATED WATER NOT TO EXCEED 85° F.

PUMP PERFORMANCE SHOWN IS BOWL ASSEMBLY WITH 10 FEET OF COLUMN INCLUDING A STANDARD ABOVE GROUND DISCHARGE ELBOW. ADDITIONAL COLUMN LOSSES SHOULD BE ADDED WHEN SETTINGS ARE DEEPER THAN 10 FEET AND/OR FOR OTHER DISCHARGE ARRANGEMENTS.



24"
8312
580
RPM
1
STAGE

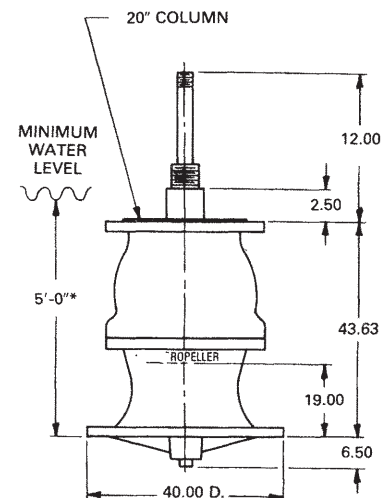
24"
COLUMN
24"
FABRICATED
STEEL
ELBOW
2-3/16"
LINESHAFT
3"
ENCLOSING
TUBE

100
75
50
25
BHP

DATA	VALUE
PUMP SHAFT DIAMETER	2.4375 IN.
MAXIMUM SPHERE SIZE	3.75 IN.
K _t (THRUST FACTOR)	127 LBS./FT.
K _a (TOTAL ROTOR WEIGHT)	175 LBS.
K _s (SETTING CONSTANT)	12.8 LBS./FT.
WK ²	77 LBS.-FT. ²
BOWL ASSEMBLY WEIGHT	1700 LBS.
EYE AREA: PROPELLER NO. A-360-F	256.3 SQ. IN. 4 VANE
PROPELLER NO. A-361-T	256.3 SQ. IN. 3 VANE
PROPELLER NO. A-362-T	256.3 SQ. IN. 3 VANE
PROPELLER NO. A-363-T	256.3 SQ. IN. 3 VANE
PROPELLER NO.	
PROPELLER NO.	

HYDRAULIC PERFORMANCE IS CONTINGENT ON FURNISHING THE PUMP WITH SPECIFIED AMOUNT OF CLEAR, FRESH, NON-AERATED WATER NOT TO EXCEED 85° F.

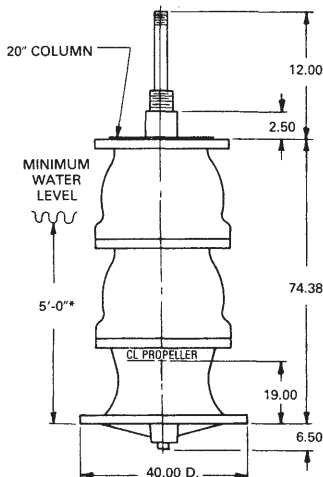
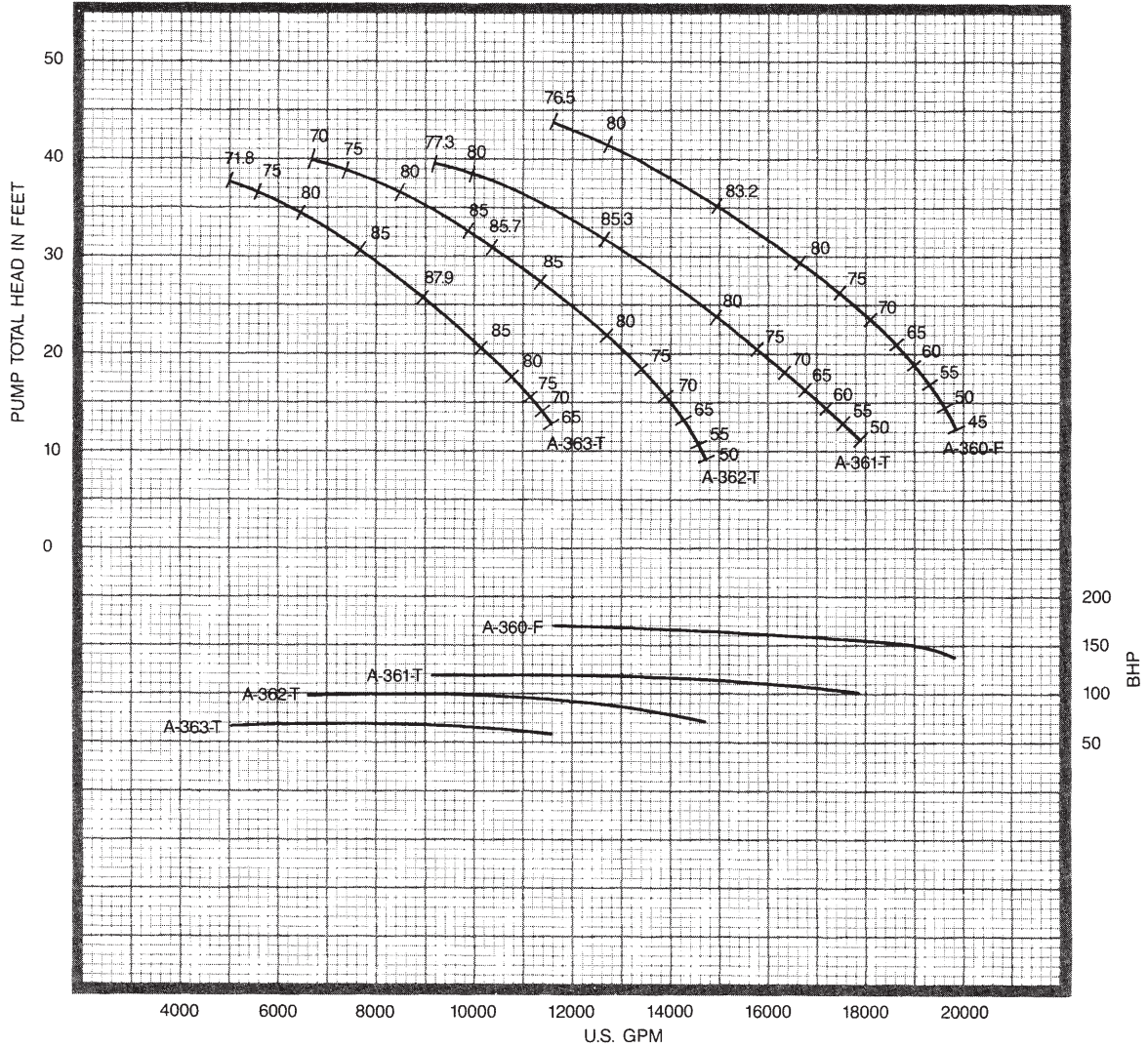
PUMP PERFORMANCE SHOWN IS BOWL ASSEMBLY WITH 10 FEET OF COLUMN INCLUDING A STANDARD ABOVE GROUND DISCHARGE ELBOW. ADDITIONAL COLUMN LOSSES SHOULD BE ADDED WHEN SETTINGS ARE DEEPER THAN 10 FEET AND/OR FOR OTHER DISCHARGE ARRANGEMENTS.



*This value is the minimum submergence required to prevent vortexing only. This value may need to be increased to provide adequate NPSHA.

24"
8312
580
RPM
2
STAGE

24"
COLUMN
24"
FABRICATED
STEEL
ELBOW
2-7/16"
LINESHAFT
3-1/2"
ENCLOSING
TUBE

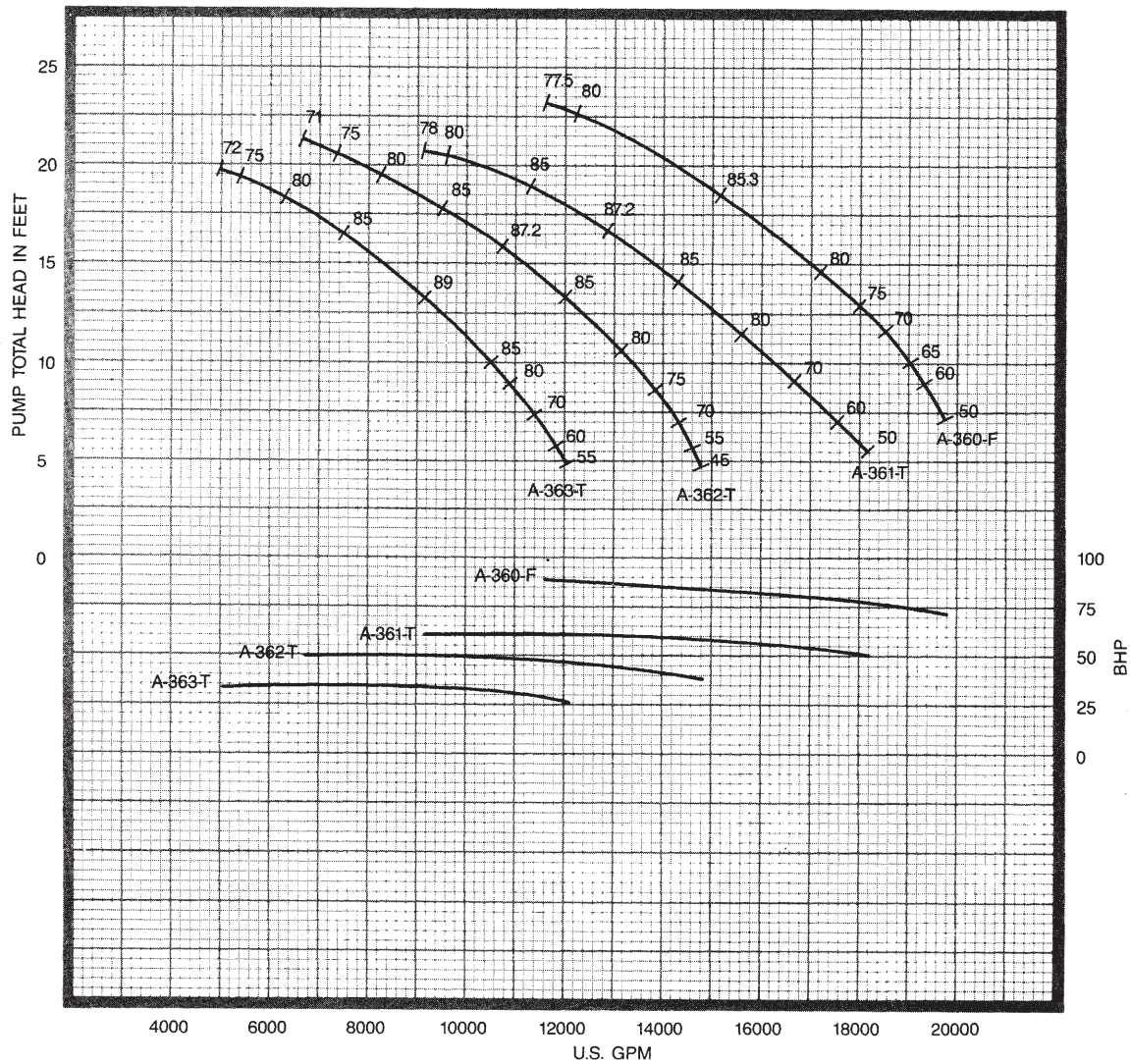


DATA	VALUE
PUMP SHAFT DIAMETER	2.4375 IN.
MAXIMUM SPHERE SIZE	3.75 IN.
K _t (THRUST FACTOR)	127 LBS./FT.
K _a (TOTAL ROTOR WEIGHT)	350 LBS.
K _s (SETTING CONSTANT)	15.9 LBS./FT.
WK ²	154 LBS.-FT. ²
BOWL ASSEMBLY WEIGHT	2800 LBS.
EYE AREA: PROPELLER NO. A-360-F	256.3 SQ. IN. 4 VANE
PROPELLER NO. A-361-T	256.3 SQ. IN. 3 VANE
PROPELLER NO. A-362-T	256.3 SQ. IN. 3 VANE
PROPELLER NO. A-363-T	256.3 SQ. IN. 3 VANE
PROPELLER NO.	
PROPELLER NO.	

HYDRAULIC PERFORMANCE IS CONTINGENT ON FURNISHING THE PUMP WITH SPECIFIED AMOUNT OF CLEAR, FRESH, NON-AERATED WATER NOT TO EXCEED 85° F.

PUMP PERFORMANCE SHOWN IS BOWL ASSEMBLY WITH 10 FEET OF COLUMN INCLUDING A STANDARD ABOVE GROUND DISCHARGE ELBOW. ADDITIONAL COLUMN LOSSES SHOULD BE ADDED WHEN SETTINGS ARE DEEPER THAN 10 FEET AND/OR FOR OTHER DISCHARGE ARRANGEMENTS.

*This value is the minimum submergence required to prevent vortexing only. This value may need to be increased to provide adequate NPSHA.



24"
8312

580
RPM

1
STAGE

30"
COLUMN

30"
FABRICATED
STEEL
ELBOW

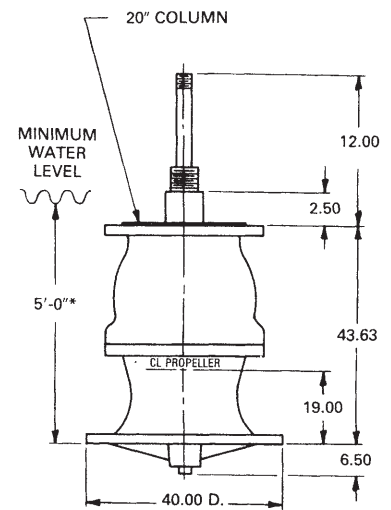
2-3/16"
LINESHAFT

3"
ENCLOSING
TUBE

DATA	VALUE
PUMP SHAFT DIAMETER	2.4375 IN.
MAXIMUM SPHERE SIZE	3.75 IN.
K _t (THRUST FACTOR)	127 LBS./FT.
K _a (TOTAL ROTOR WEIGHT)	175 LBS.
K _s (SETTING CONSTANT)	12.8 LBS./FT.
WK ²	77 LBS.-FT. ²
BOWL ASSEMBLY WEIGHT	1700 LBS.
EYE AREA: PROPELLER NO. A-360-F	256.3 SQ. IN. 4 VANE
PROPELLER NO. A-361-T	256.3 SQ. IN. 3 VANE
PROPELLER NO. A-362-T	256.3 SQ. IN. 3 VANE
PROPELLER NO. A-363-T	256.3 SQ. IN. 3 VANE
PROPELLER NO.	
PROPELLER NO.	

HYDRAULIC PERFORMANCE IS CONTINGENT ON FURNISHING THE PUMP WITH SPECIFIED AMOUNT OF CLEAR, FRESH, NON-AERATED WATER NOT TO EXCEED 85° F.

PUMP PERFORMANCE SHOWN IS BOWL ASSEMBLY WITH 10 FEET OF COLUMN INCLUDING A STANDARD ABOVE GROUND DISCHARGE ELBOW. ADDITIONAL COLUMN LOSSES SHOULD BE ADDED WHEN SETTINGS ARE DEEPER THAN 10 FEET AND/OR FOR OTHER DISCHARGE ARRANGEMENTS.



*This value is the minimum submergence required to prevent vortexing only. This value may need to be increased to provide adequate NPSHA.

24"
8312

580
RPM

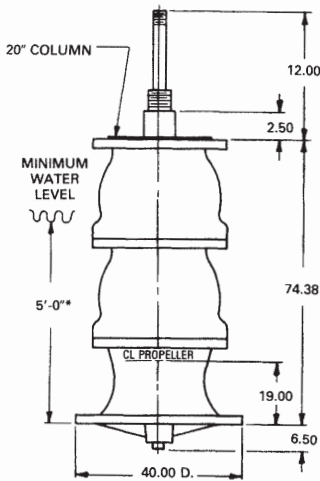
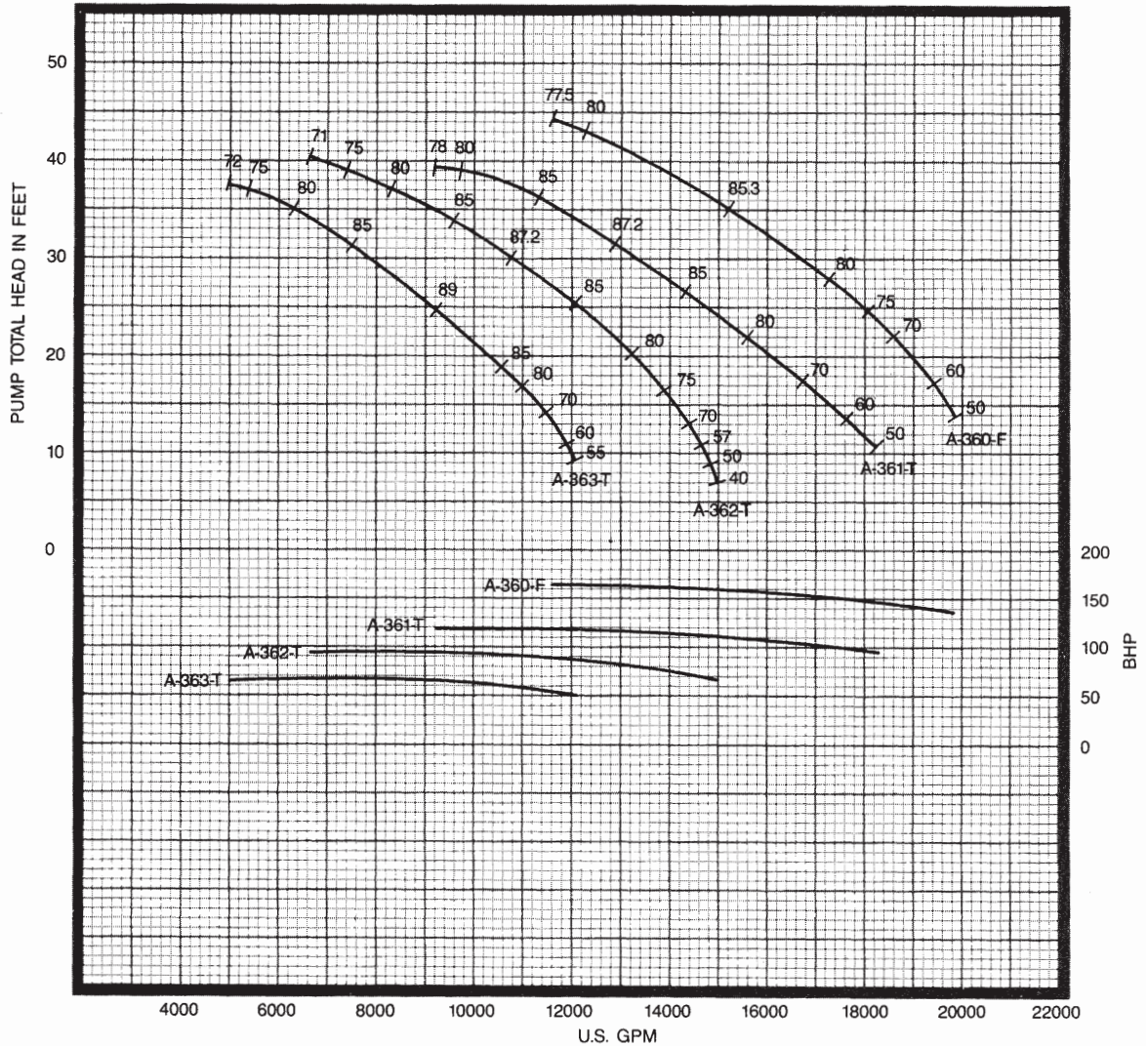
2
STAGE

30"
COLUMN

30"
FABRICATED
STEEL ELBOW

2-7/16"
LINESHAFT

3-1/2"
ENCLOSING
TUBE

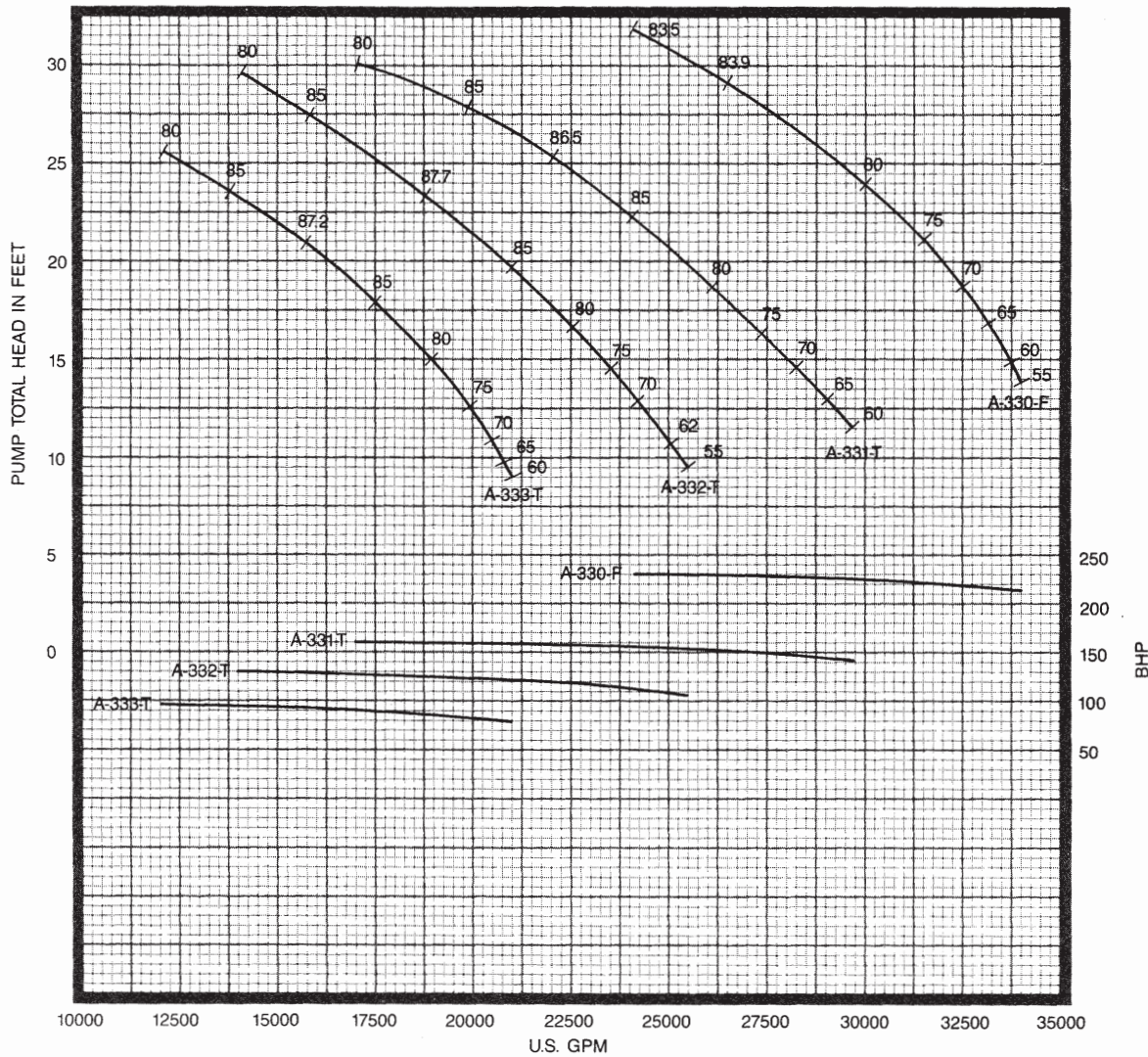


*This value is the minimum submergence required to prevent vortexing only. This value may need to be increased to provide adequate NPSHA.

DATA		VALUE
PUMP SHAFT DIAMETER		2.4375 IN.
MAXIMUM SPHERE SIZE		3.75 IN.
K _t (THRUST FACTOR)		127 LBS./FT.
K _a (TOTAL ROTOR WEIGHT)		350 LBS.
K _s (SETTING CONSTANT)		15.9 LBS./FT.
WK ²		154 LBS.-FT. ²
BOWL ASSEMBLY WEIGHT		2800 LBS.
EYE AREA:	PROPELLER NO. A-360-F	256.3 SQ. IN. 4 VANE
	PROPELLER NO. A-361-T	256.3 SQ. IN. 3 VANE
	PROPELLER NO. A-362-T	256.3 SQ. IN. 3 VANE
	PROPELLER NO. A-363-T	256.3 SQ. IN. 3 VANE
PROPELLER NO.		

HYDRAULIC PERFORMANCE IS CONTINGENT ON FURNISHING THE PUMP WITH SPECIFIED AMOUNT OF CLEAR, FRESH, NON-AERATED WATER NOT TO EXCEED 85° F.

PUMP PERFORMANCE SHOWN IS BOWL ASSEMBLY WITH 10 FEET OF COLUMN INCLUDING A STANDARD ABOVE GROUND DISCHARGE ELBOW. ADDITIONAL COLUMN LOSSES SHOULD BE ADDED WHEN SETTINGS ARE DEEPER THAN 10 FEET AND/OR FOR OTHER DISCHARGE ARRANGEMENTS.



30"
8312

580
RPM

1
STAGE

30"
COLUMN

30"
FABRICATED
STEEL ELBOW

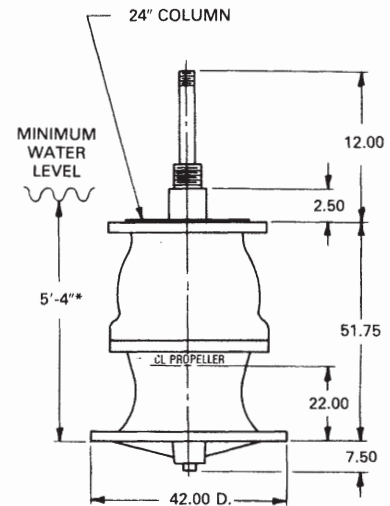
2-7/16"
LINESHAFT

3-1/2"
ENCLOSING
TUBE

DATA	VALUE
PUMP SHAFT DIAMETER	2.9375 IN.
MAXIMUM SPHERE SIZE	4.50 IN.
K _t (THRUST FACTOR)	185 LBS./FT.
K _a (TOTAL ROTOR WEIGHT)	310 LBS.
K _s (SETTING CONSTANT)	15.9 LBS./FT.
WK ²	195 LBS.-FT. ²
BOWL ASSEMBLY WEIGHT	2500 LBS.
EYE AREA: PROPELLER NO. A-330-F	367.8 SQ. IN. 4 VANE
PROPELLER NO. A-331-T	367.8 SQ. IN. 3 VANE
PROPELLER NO. A-332-T	367.8 SQ. IN. 3 VANE
PROPELLER NO. A-333-T	367.8 SQ. IN. 3 VANE
PROPELLER NO.	
PROPELLER NO.	

HYDRAULIC PERFORMANCE IS CONTINGENT ON FURNISHING THE PUMP WITH SPECIFIED AMOUNT OF CLEAR, FRESH, NON-AERATED WATER NOT TO EXCEED 85° F.

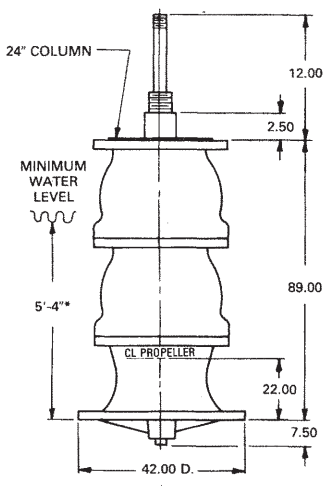
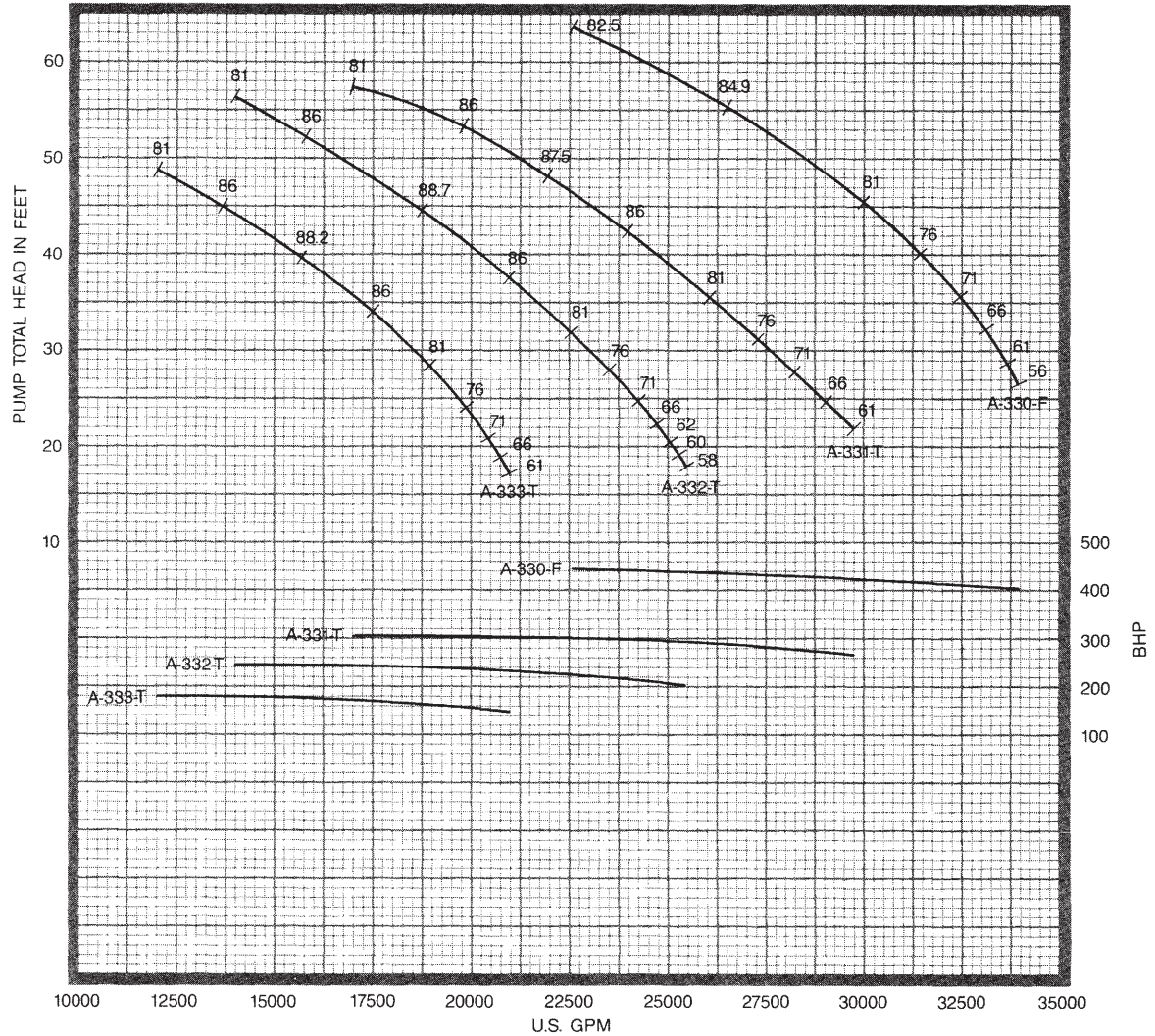
PUMP PERFORMANCE SHOWN IS BOWL ASSEMBLY WITH 10 FEET OF COLUMN INCLUDING A STANDARD ABOVE GROUND DISCHARGE ELBOW. ADDITIONAL COLUMN LOSSES SHOULD BE ADDED WHEN SETTINGS ARE DEEPER THAN 10 FEET AND/OR FOR OTHER DISCHARGE ARRANGEMENTS.



*This value is the minimum submergence required to prevent vortexing only. This value may need to be increased to provide adequate NPSHA.

30"
8312
580
RPM
2
STAGE

30"
COLUMN
30"
FABRICATED
STEEL ELBOW
2-15/16"
LINESHAFT
5"
ENCLOSING
TUBE

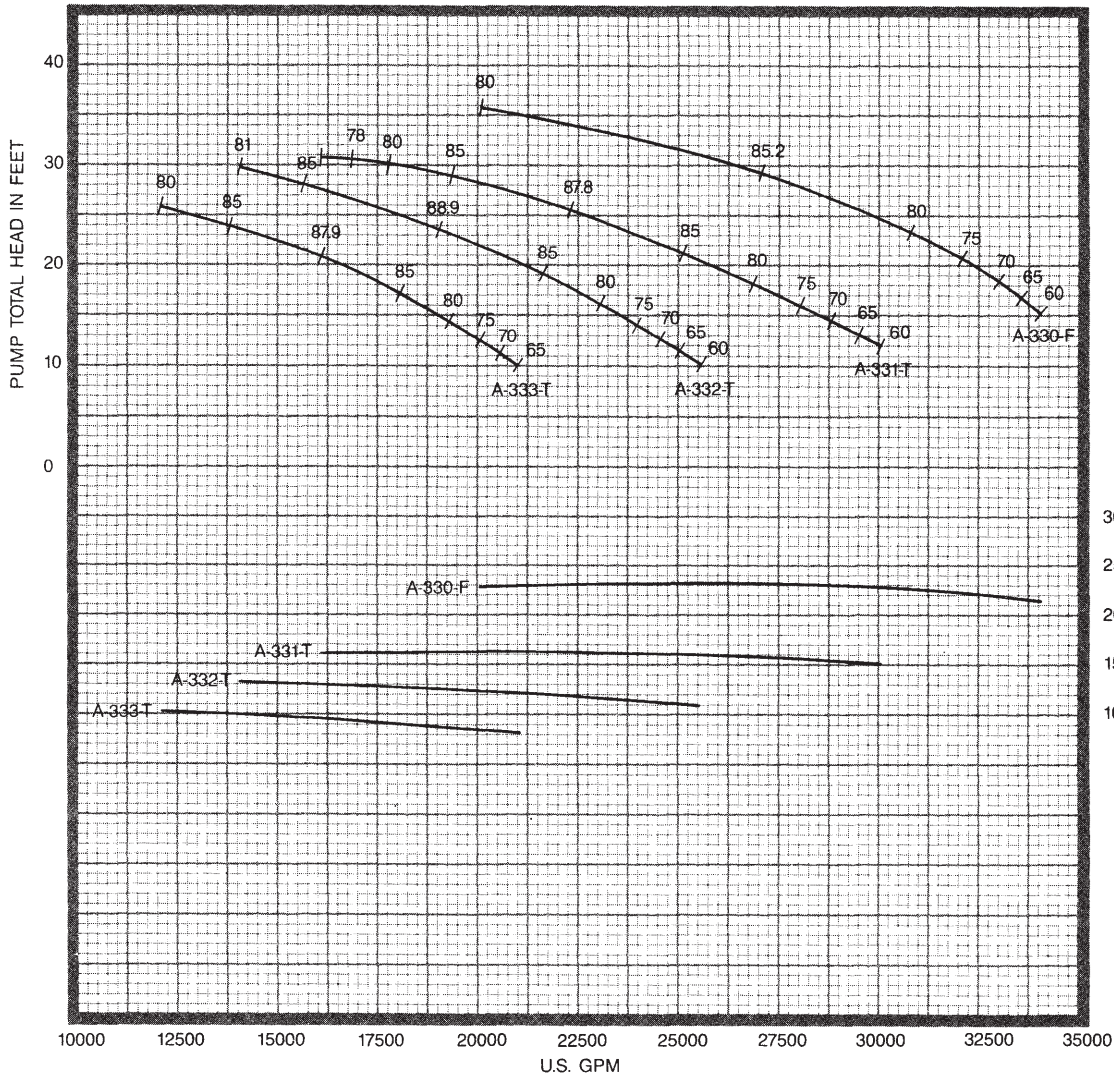


DATA	VALUE
PUMP SHAFT DIAMETER	2.9375 IN.
MAXIMUM SPHERE SIZE	4.50 IN.
K _t (THRUST FACTOR)	185 LBS./FT.
K _a (TOTAL ROTOR WEIGHT)	620 LBS.
K _s (SETTING CONSTANT)	23.0 LBS./FT.
WK ²	390 LBS.-FT. ²
BOWL ASSEMBLY WEIGHT	4300 LBS.
EYE AREA: PROPELLER NO. A-330-F	367.8 SQ. IN. 4 VANE
PROPELLER NO. A-331-T	367.8 SQ. IN. 3 VANE
PROPELLER NO. A-332-T	367.8 SQ. IN. 3 VANE
PROPELLER NO. A-333-T	367.8 SQ. IN. 3 VANE
PROPELLER NO.	
PROPELLER NO.	

HYDRAULIC PERFORMANCE IS CONTINGENT ON FURNISHING THE PUMP WITH SPECIFIED AMOUNT OF CLEAR, FRESH, NON-AERATED WATER NOT TO EXCEED 85° F.

PUMP PERFORMANCE SHOWN IS BOWL ASSEMBLY WITH 10 FEET OF COLUMN INCLUDING A STANDARD ABOVE GROUND DISCHARGE ELBOW. ADDITIONAL COLUMN LOSSES SHOULD BE ADDED WHEN SETTINGS ARE DEEPER THAN 10 FEET AND/OR FOR OTHER DISCHARGE ARRANGEMENTS.

*This value is the minimum submergence required to prevent vortexing only. This value may need to be increased to provide adequate NPSHA.



30"
8312

580
RPM

1
STAGE

36"
COLUMN

36"
FABRICATED
STEEL ELBOW

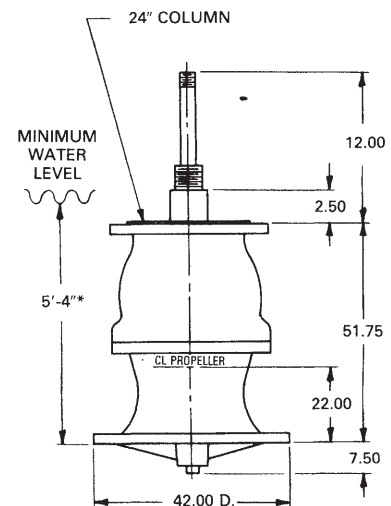
2-7/16"
LINESHAFT

3-1/2"
ENCLOSING
TUBE

DATA	VALUE
PUMP SHAFT DIAMETER	2.9375 IN.
MAXIMUM SPHERE SIZE	4.50 IN.
K _t (THRUST FACTOR)	185 LBS./FT.
K _a (TOTAL ROTOR WEIGHT)	310 LBS.
K _s (SETTING CONSTANT)	15.9 LBS./FT.
WK ²	195 LBS.-FT. ²
BOWL ASSEMBLY WEIGHT	2500 LBS.
EYE AREA: PROPELLER NO. A-330-F	367.8 SQ. IN. 4 VANE
PROPELLER NO. A-331-T	367.8 SQ. IN. 3 VANE
PROPELLER NO. A-332-T	367.8 SQ. IN. 3 VANE
PROPELLER NO. A-333-T	367.8 SQ. IN. 3 VANE
PROPELLER NO.	
PROPELLER NO.	

HYDRAULIC PERFORMANCE IS CONTINGENT ON FURNISHING THE PUMP WITH SPECIFIED AMOUNT OF CLEAR, FRESH, NON-AERATED WATER NOT TO EXCEED 85° F.

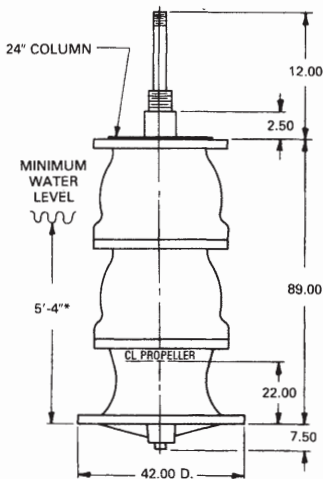
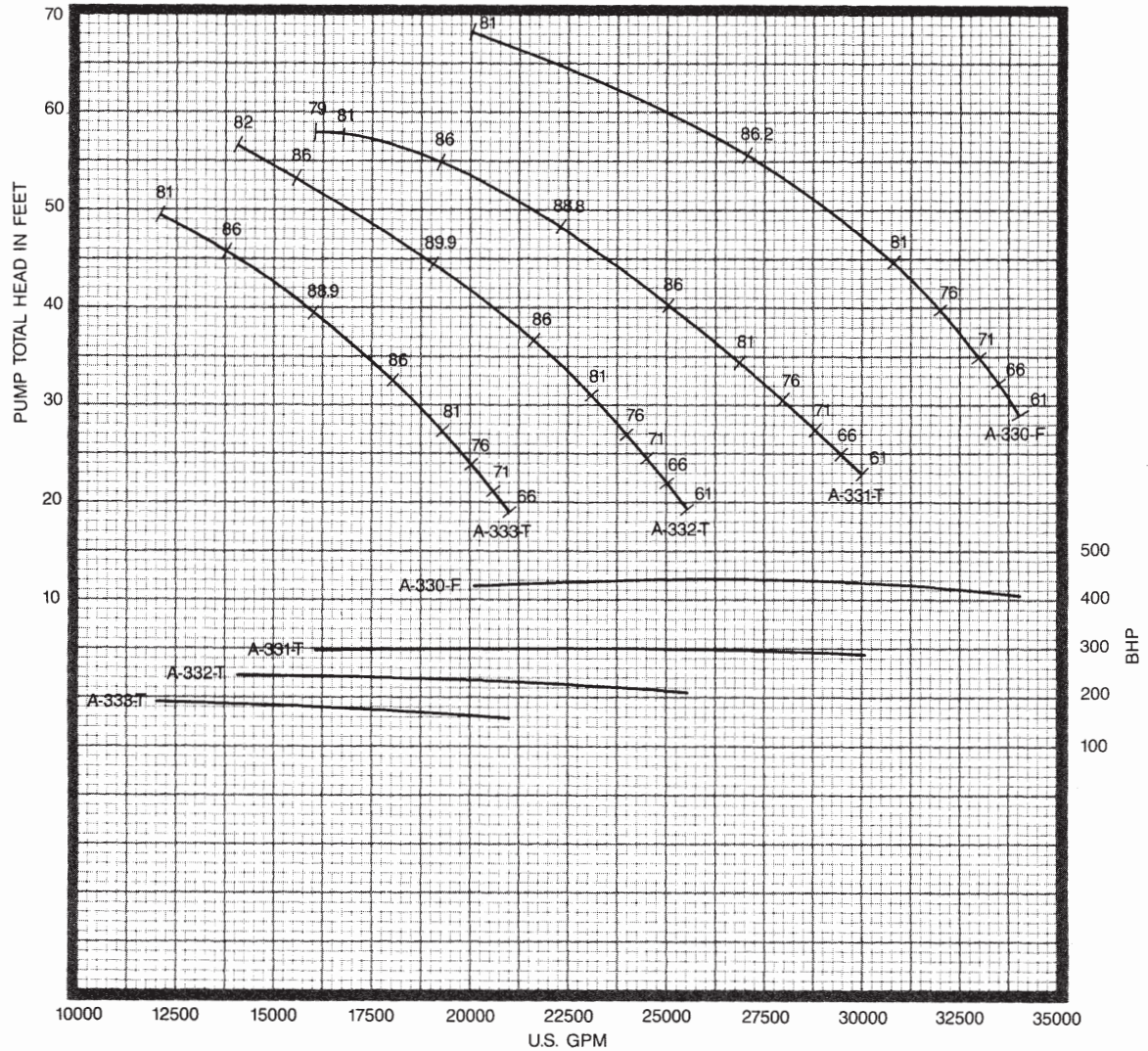
PUMP PERFORMANCE SHOWN IS BOWL ASSEMBLY WITH 10 FEET OF COLUMN INCLUDING A STANDARD ABOVE GROUND DISCHARGE ELBOW. ADDITIONAL COLUMN LOSSES SHOULD BE ADDED WHEN SETTINGS ARE DEEPER THAN 10 FEET AND/OR FOR OTHER DISCHARGE ARRANGEMENTS.



*This value is the minimum submergence required to prevent vortexing only. This value may need to be increased to provide adequate NPSHA.

30"
8312
580
RPM
2
STAGE

36"
COLUMN
36"
FABRICATED
STEEL ELBOW
2-15/16"
LINESHAFT
5"
ENCLOSING
TUBE

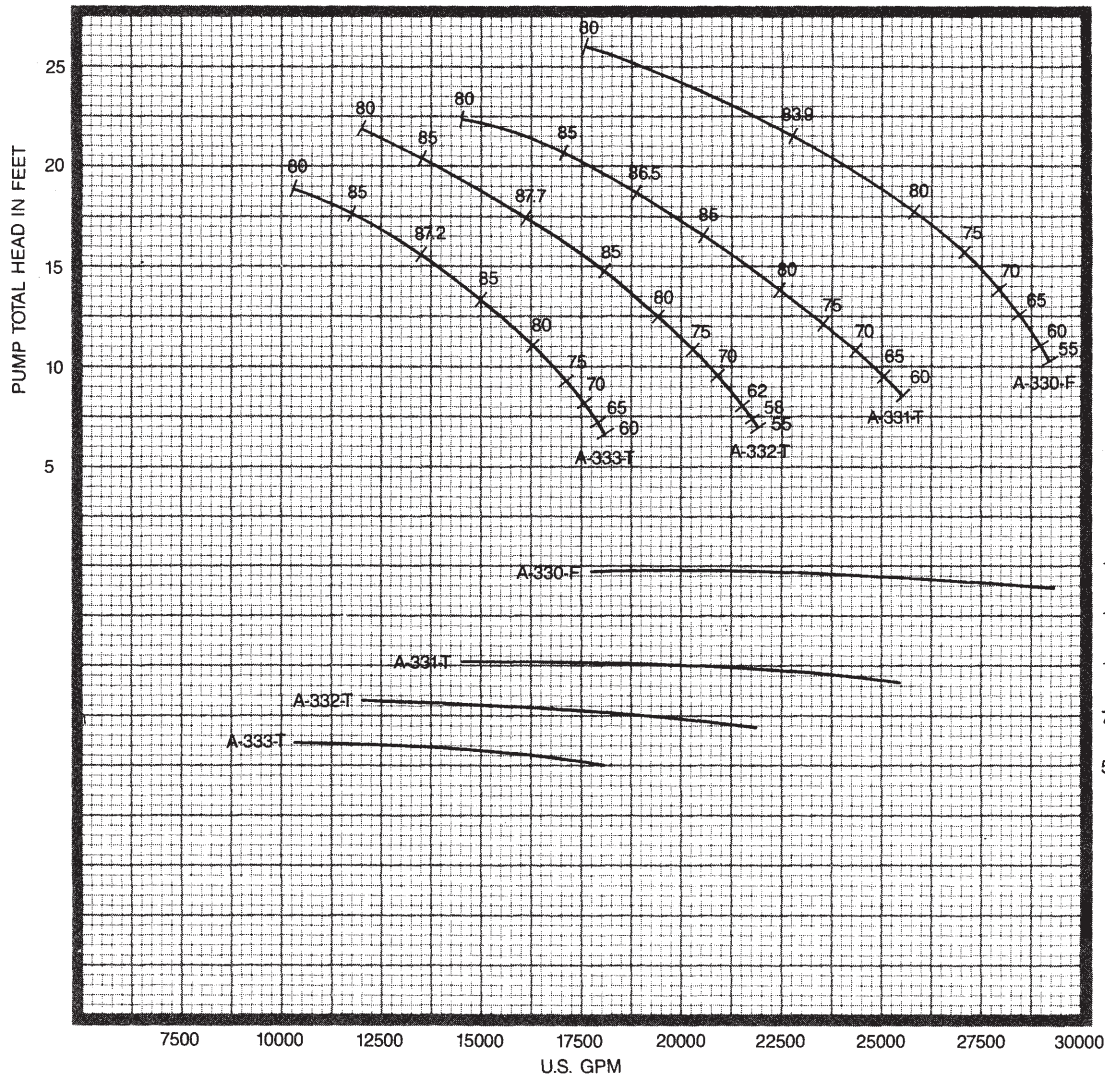


DATA		VALUE
PUMP SHAFT DIAMETER		2.9375 in.
MAXIMUM SPHERE SIZE		4.50 in.
K _t (THRUST FACTOR)		185 LBS./FT.
K _a (TOTAL ROTOR WEIGHT)		620 LBS.
K _s (SETTING CONSTANT)		23.0 LBS./FT.
WK ²		390 LBS.-FT. ²
BOWL ASSEMBLY WEIGHT		4300 LBS.
EYE AREA:	PROPELLER NO. A-330-F	367.8 SQ. IN. 4 VANE
	PROPELLER NO. A-331-T	367.8 SQ. IN. 3 VANE
	PROPELLER NO. A-332-T	367.8 SQ. IN. 3 VANE
	PROPELLER NO. A-333-T	367.8 SQ. IN. 3 VANE
PROPELLER NO.		

HYDRAULIC PERFORMANCE IS CONTINGENT ON FURNISHING THE PUMP WITH SPECIFIED AMOUNT OF CLEAR, FRESH, NON-AERATED WATER NOT TO EXCEED 85° F.

PUMP PERFORMANCE SHOWN IS BOWL ASSEMBLY WITH 10 FEET OF COLUMN INCLUDING A STANDARD ABOVE GROUND DISCHARGE ELBOW. ADDITIONAL COLUMN LOSSES SHOULD BE ADDED WHEN SETTINGS ARE DEEPER THAN 10 FEET AND/OR FOR OTHER DISCHARGE ARRANGEMENTS.

*This value is the minimum submergence required to prevent vortexing only. This value may need to be increased to provide adequate NPSHA.



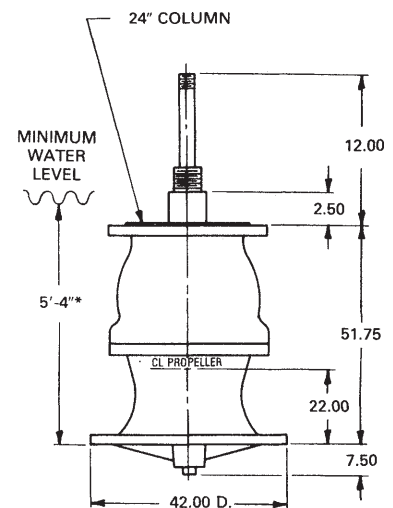
30"
8312
500
RPM
1
STAGE

30"
COLUMN
30"
FABRICATED
STEEL ELBOW
2-7/16"
LINESHAFT
3-1/2"
ENCLOSING
TUBE

DATA	VALUE
PUMP SHAFT DIAMETER	2.9375 IN.
MAXIMUM SPHERE SIZE	4.50 IN.
K _t (THRUST FACTOR)	185 LBS./FT.
K _a (TOTAL ROTOR WEIGHT)	310 LBS.
K _s (SETTING CONSTANT)	15.9 LBS./FT.
WK ²	195 LBS.-FT. ²
BOWL ASSEMBLY WEIGHT	2500 LBS.
EYE AREA: PROPELLER NO. A-330-F	367.8 SQ. IN. 4 VANE
PROPELLER NO. A-331-T	367.8 SQ. IN. 3 VANE
PROPELLER NO. A-332-T	367.8 SQ. IN. 3 VANE
PROPELLER NO. A-333-T	367.8 SQ. IN. 3 VANE
PROPELLER NO.	
PROPELLER NO.	

HYDRAULIC PERFORMANCE IS CONTINGENT ON FURNISHING THE PUMP WITH SPECIFIED AMOUNT OF CLEAR, FRESH, NON-AERATED WATER NOT TO EXCEED 85° F.

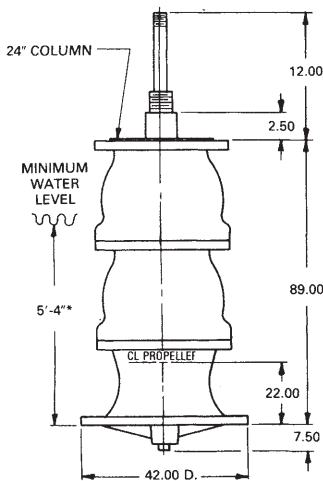
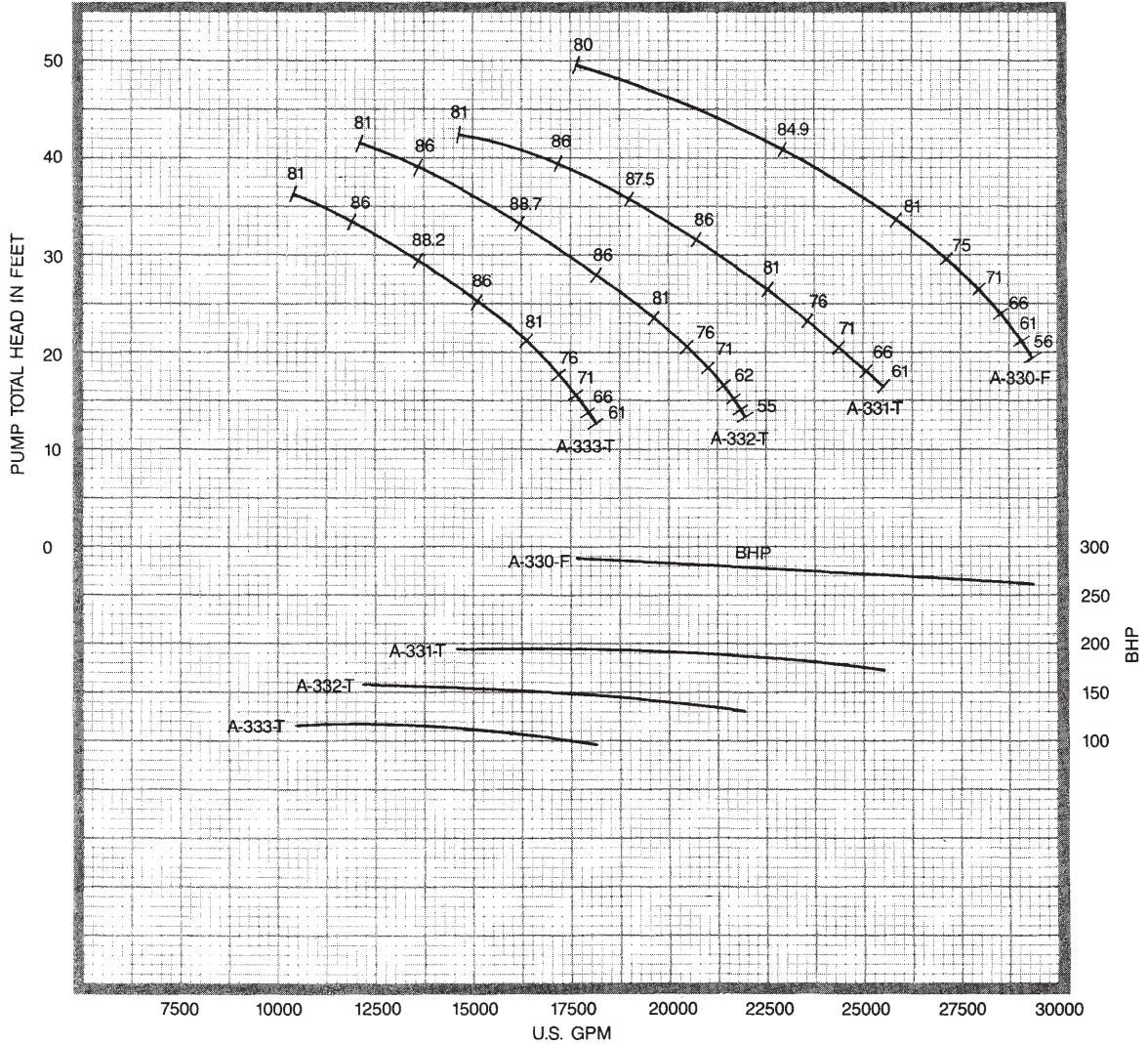
PUMP PERFORMANCE SHOWN IS BOWL ASSEMBLY WITH 10 FEET OF COLUMN INCLUDING A STANDARD ABOVE GROUND DISCHARGE ELBOW. ADDITIONAL COLUMN LOSSES SHOULD BE ADDED WHEN SETTINGS ARE DEEPER THAN 10 FEET AND/OR FOR OTHER DISCHARGE ARRANGEMENTS.



*This value is the minimum submergence required to prevent vortexing only. This value may need to be increased to provide adequate NPSHA.

30"
8312
500
RPM
2
STAGE

30"
COLUMN
30"
FABRICATED
STEEL ELBOW
2-15/16"
LINESHAFT
5"
ENCLOSING
TUBE

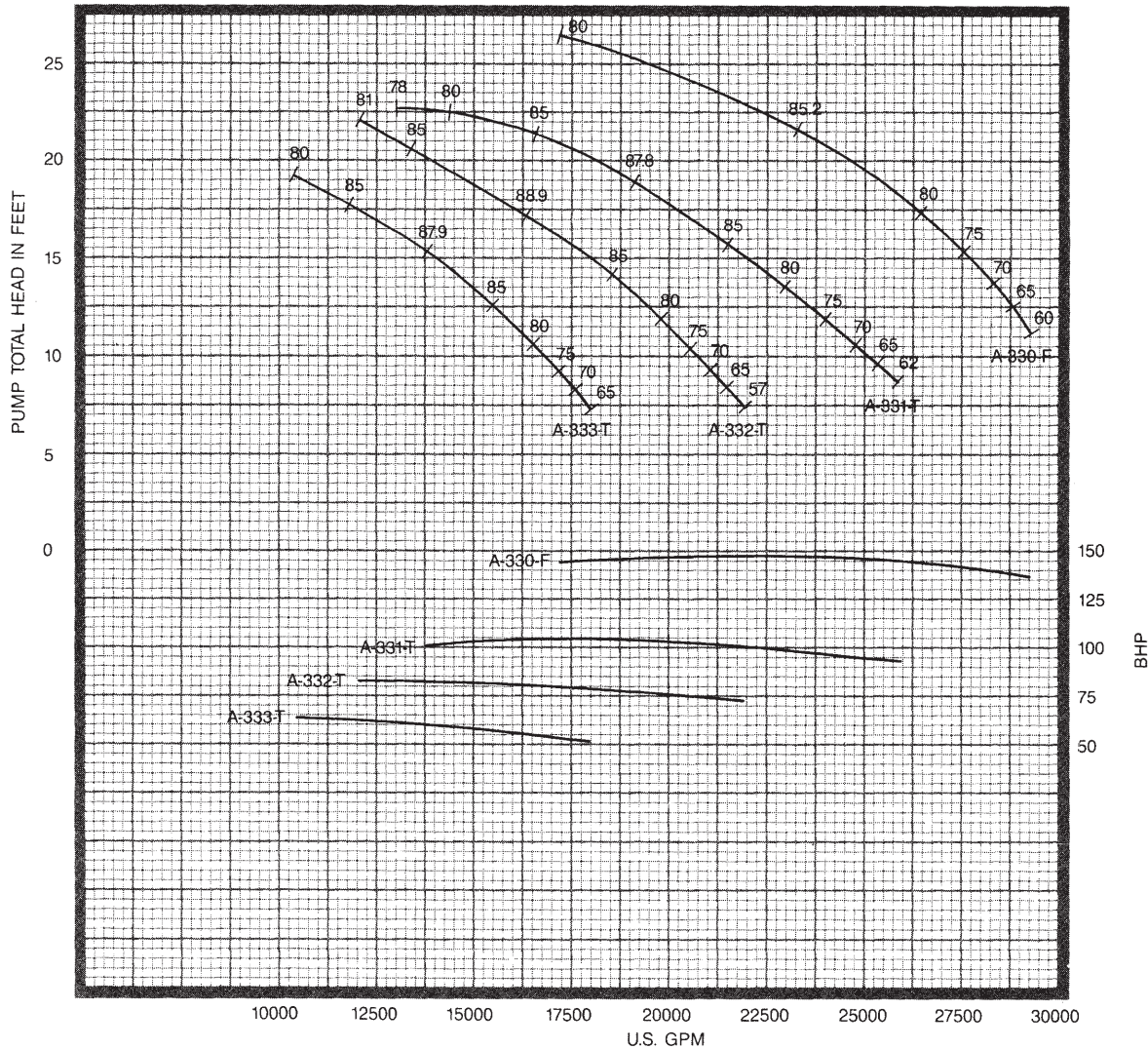


*This value is the minimum submergence required to prevent vortexing only. This value may need to be increased to provide adequate NPSHA.

DATA		VALUE
PUMP SHAFT DIAMETER		2.9375 IN.
MAXIMUM SPHERE SIZE		4.50 IN.
K _t (THRUST FACTOR)		185 LBS./FT.
K _a (TOTAL ROTOR WEIGHT)		620 LBS.
K _s (SETTING CONSTANT)		23.0 LBS./FT.
WK ²		390 LBS.-FT. ²
BOWL ASSEMBLY WEIGHT		4300 LBS.
Eye Area:	PROPELLER NO. A-330-F	367.8 SQ. IN. 4 VANE
	PROPELLER NO. A-331-T	367.8 SQ. IN. 3 VANE
	PROPELLER NO. A-332-T	367.8 SQ. IN. 3 VANE
	PROPELLER NO. A-333-T	367.8 SQ. IN. 3 VANE
	PROPELLER NO.	
	PROPELLER NO.	

HYDRAULIC PERFORMANCE IS CONTINGENT ON FURNISHING THE PUMP WITH SPECIFIED AMOUNT OF CLEAR, FRESH, NON-AERATED WATER NOT TO EXCEED 85° F.

PUMP PERFORMANCE SHOWN IS BOWL ASSEMBLY WITH 10 FEET OF COLUMN INCLUDING A STANDARD ABOVE GROUND DISCHARGE ELBOW. ADDITIONAL COLUMN LOSSES SHOULD BE ADDED WHEN SETTINGS ARE DEEPER THAN 10 FEET AND/OR FOR OTHER DISCHARGE ARRANGEMENTS.



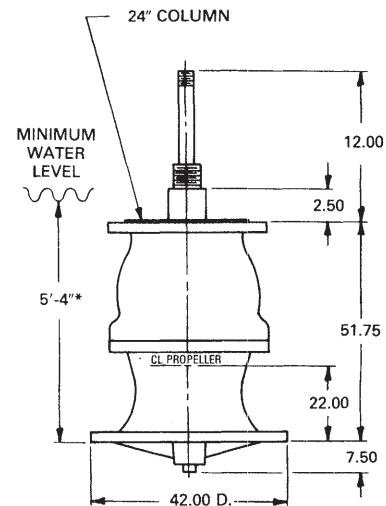
30"
8312
500
RPM
1
STAGE

36"
COLUMN
36"
FABRICATED
STEEL ELBOW
2-7/16"
LINESHAFT
3-1/2"
ENCLOSING
TUBE

DATA	VALUE
PUMP SHAFT DIAMETER	2.9375 IN.
MAXIMUM SPHERE SIZE	4.50 IN.
K _t (THRUST FACTOR)	185 LBS./FT.
K _a (TOTAL ROTOR WEIGHT)	310 LBS.
K _s (SETTING CONSTANT)	15.9 LBS./FT.
WK ²	195 LBS.-FT. ²
BOWL ASSEMBLY WEIGHT	2500 LBS.
EYE AREA: PROPELLER NO. A-330-F	367.8 SQ. IN. 4 VANE
PROPELLER NO. A-331-T	367.8 SQ. IN. 3 VANE
PROPELLER NO. A-332-T	367.8 SQ. IN. 3 VANE
PROPELLER NO. A-333-T	367.8 SQ. IN. 3 VANE
PROPELLER NO.	
PROPELLER NO.	

HYDRAULIC PERFORMANCE IS CONTINGENT ON FURNISHING THE PUMP WITH SPECIFIED AMOUNT OF CLEAR, FRESH, NON-AERATED WATER NOT TO EXCEED 85° F.

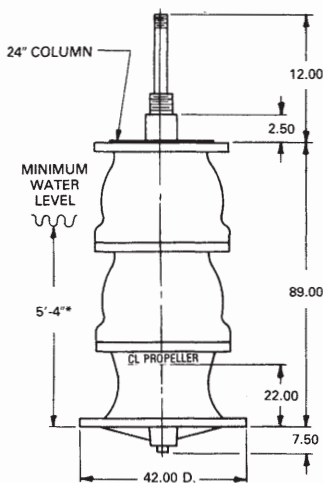
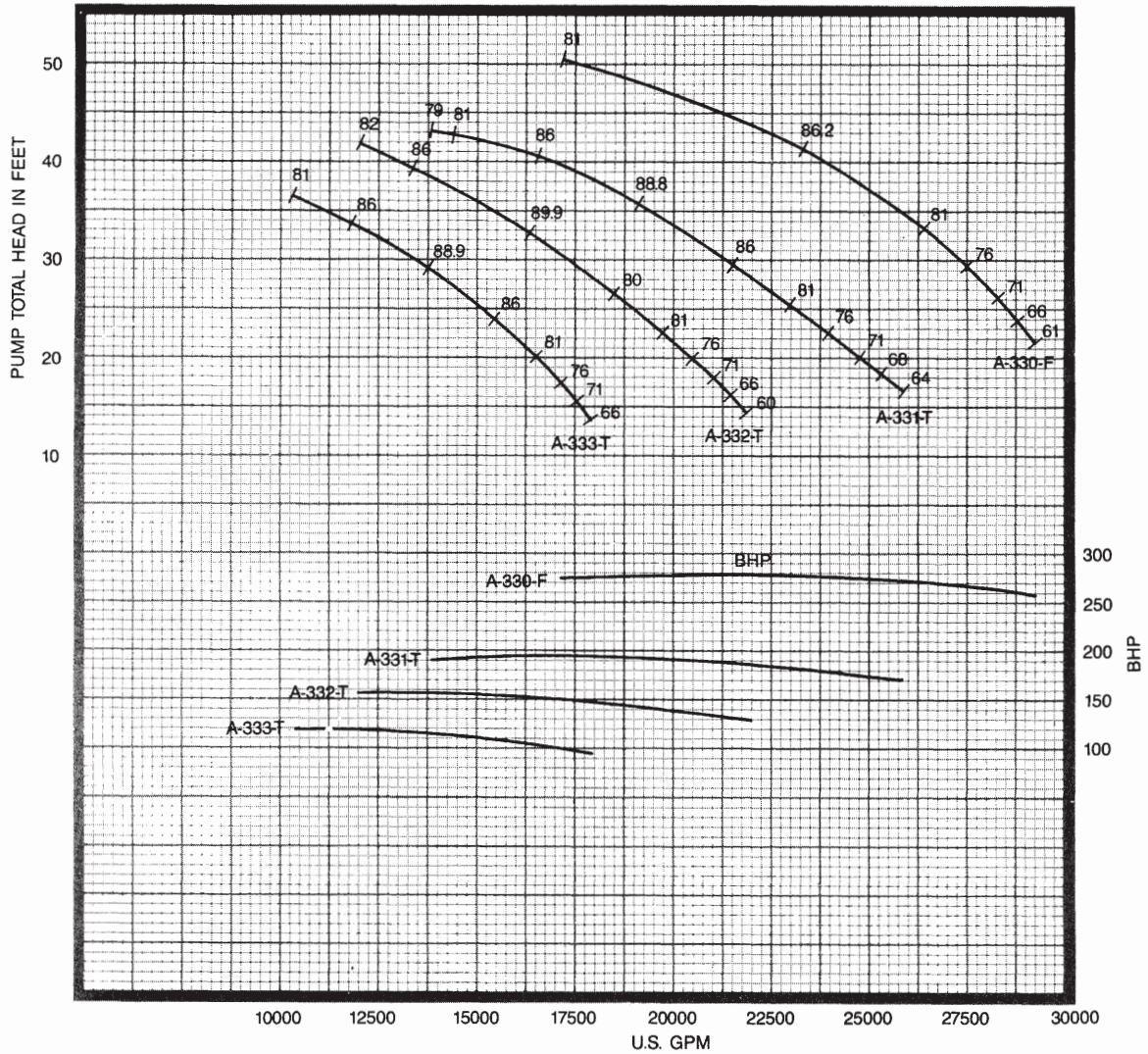
PUMP PERFORMANCE SHOWN IS BOWL ASSEMBLY WITH 10 FEET OF COLUMN INCLUDING A STANDARD ABOVE GROUND DISCHARGE ELBOW. ADDITIONAL COLUMN LOSSES SHOULD BE ADDED WHEN SETTINGS ARE DEEPER THAN 10 FEET AND/OR FOR OTHER DISCHARGE ARRANGEMENTS.



*This value is the minimum submergence required to prevent vortexing only. This value may need to be increased to provide adequate NPSHA.

30"
8312
500
RPM
2
STAGE

36"
COLUMN
36"
FABRICATED
STEEL ELBOW
2-15/16"
LINESHAFT
5"
ENCLOSING
TUBE



DATA	VALUE
PUMP SHAFT DIAMETER	2.9375 IN.
MAXIMUM SPHERE SIZE	4.50 IN.
K _t (THRUST FACTOR)	185 LBS./FT.
K _a (TOTAL ROTOR WEIGHT)	620 LBS.
K _s (SETTING CONSTANT)	23.0 LBS./FT.
WK ²	390 LBS.-FT. ²
BOWL ASSEMBLY WEIGHT	4300 LBS.
EYE AREA: PROPELLER NO. A-330-F	367.8 SQ. IN. 4 VANE
PROPELLER NO. A-331-T	367.8 SQ. IN. 3 VANE
PROPELLER NO. A-332-T	367.8 SQ. IN. 3 VANE
PROPELLER NO. A-333-T	367.8 SQ. IN. 3 VANE
PROPELLER NO.	
PROPELLER NO.	

HYDRAULIC PERFORMANCE IS CONTINGENT ON FURNISHING THE PUMP WITH SPECIFIED AMOUNT OF CLEAR, FRESH, NON-AERATED WATER NOT TO EXCEED 85° F.

PUMP PERFORMANCE SHOWN IS BOWL ASSEMBLY WITH 10 FEET OF COLUMN INCLUDING A STANDARD ABOVE GROUND DISCHARGE ELBOW. ADDITIONAL COLUMN LOSSES SHOULD BE ADDED WHEN SETTINGS ARE DEEPER THAN 10 FEET AND/OR FOR OTHER DISCHARGE ARRANGEMENTS.

*This value is the minimum submergence required to prevent vortexing only. This value may need to be increased to provide adequate NPSHA.