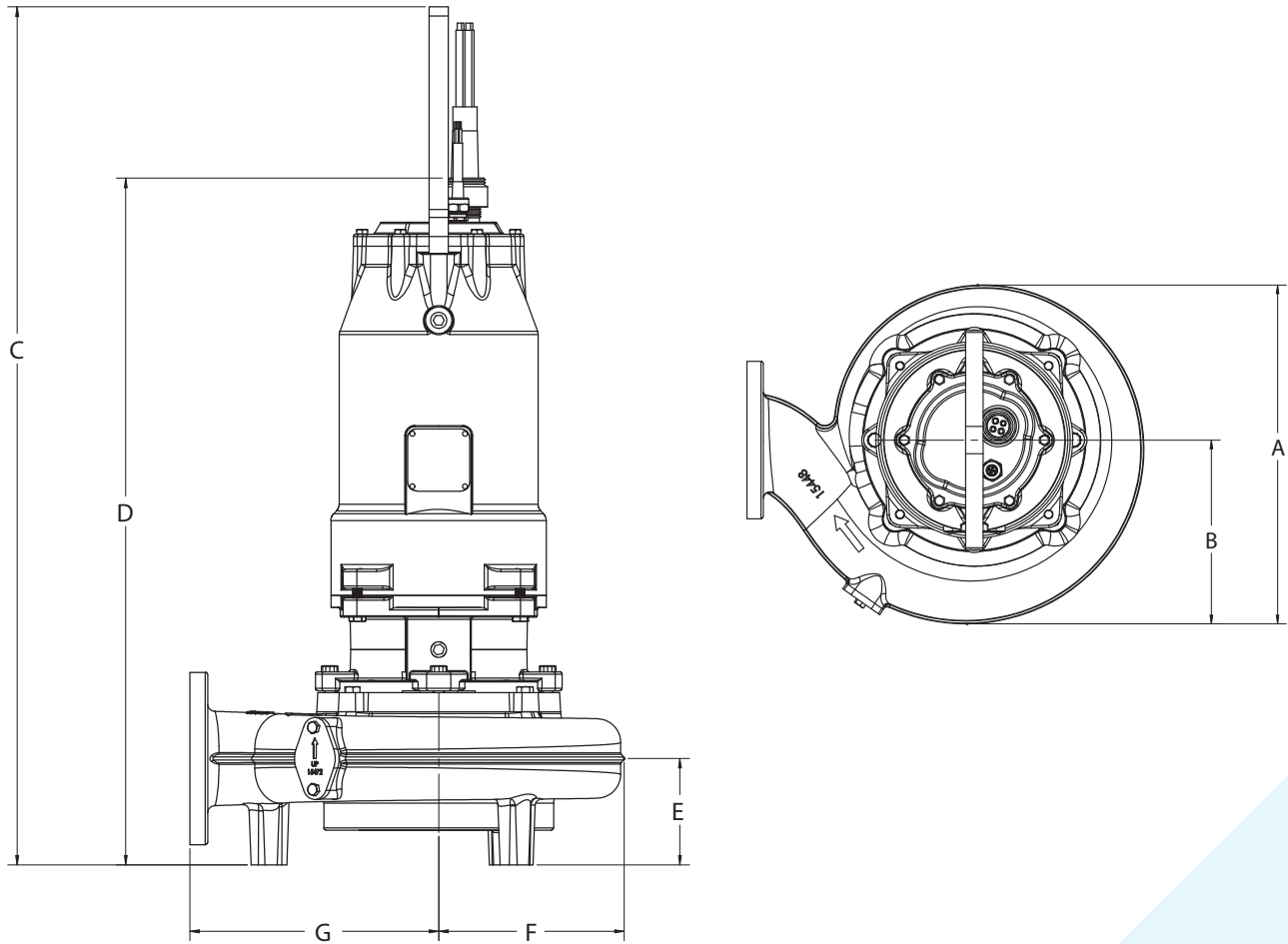


# SUBMERSIBLE SOLIDS HANDLING PUMPS

## HPS4HD(X), HPS6MD(X) SERIES



MODEL	A	B	C	D	E	F	G
HPS4HD(X)	18.64	9.90	54.10	42.50	6.41	9.32	13.00
HPS6MD(X)	19.50	10.86	54.01	42.47	6.00	9.75	13.00

All measurements in inches.

1101 Myers Parkway  
Ashland, OH 44805  
Ph: 855.274.8947  
Fx: 800.426.9446

490 Pinebush Rd., Unit 4  
Cambridge, Ontario N1T 0A5, Canada  
Ph: 800.363.7867  
Fx: 888.606.5484

[pentair.com/hydromatic](http://pentair.com/hydromatic)