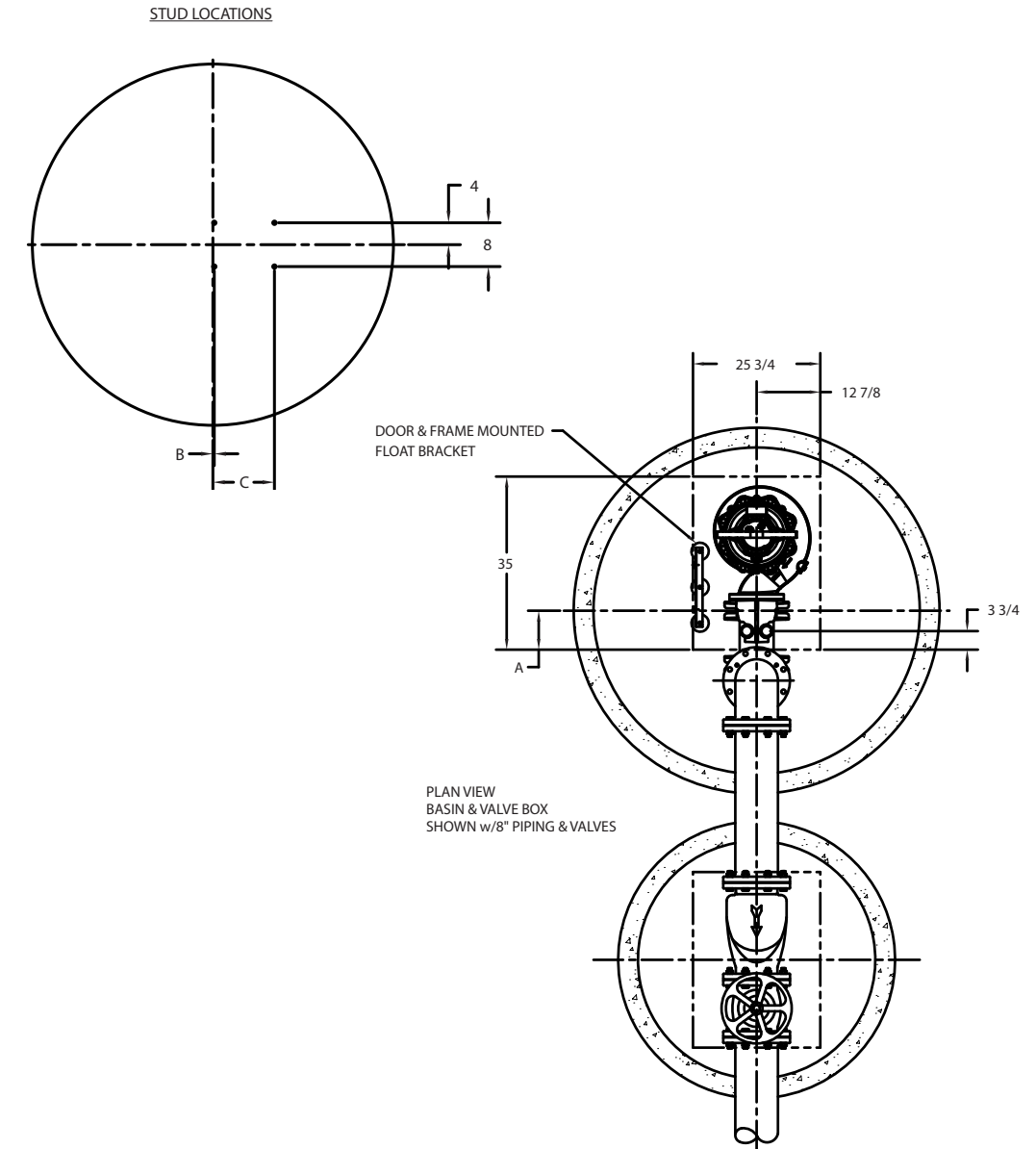
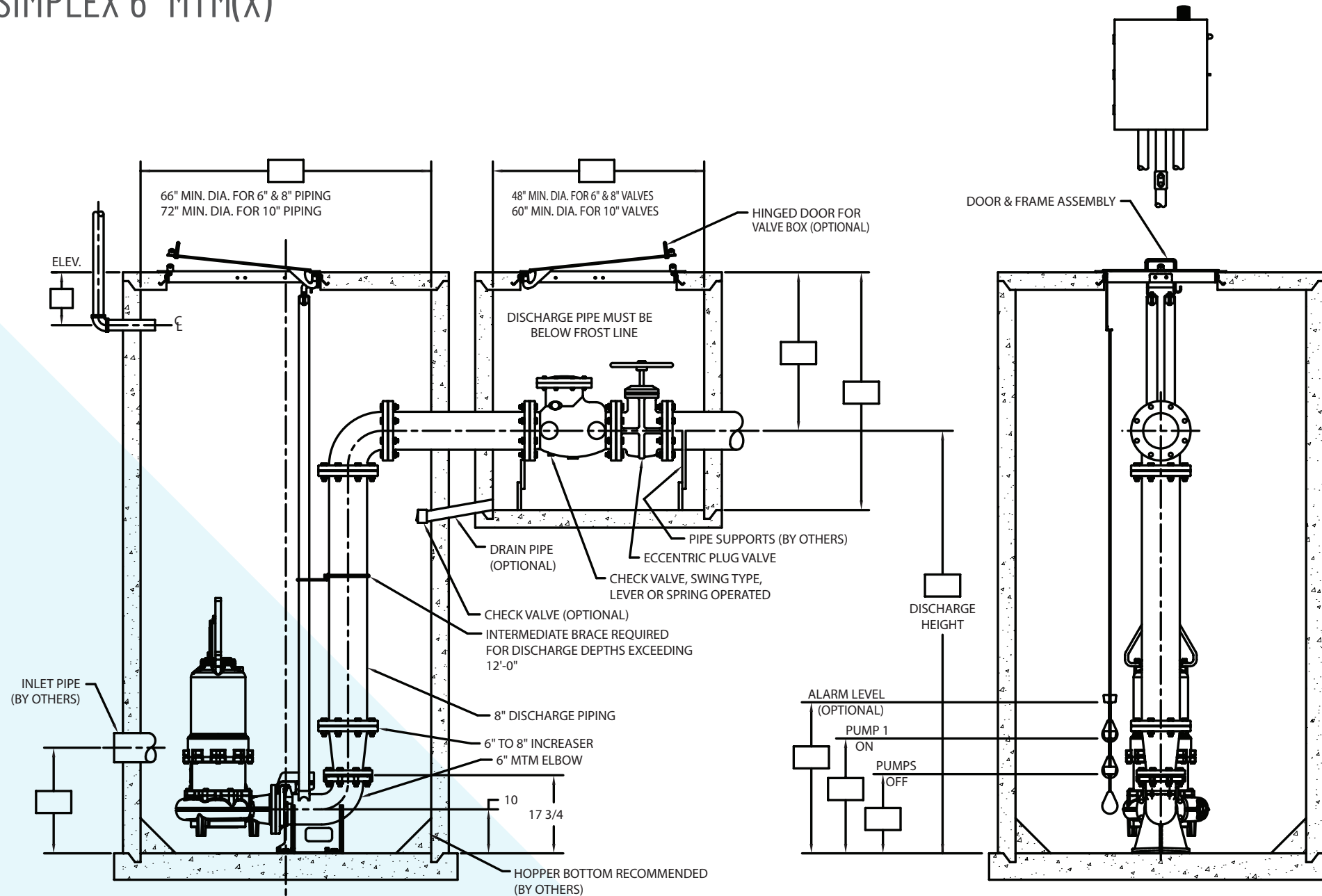


# SUBMERSIBLE SOLIDS HANDLING PUMP

## SIMPLEX 6" MTM(X)



FOR MODELS: 6MC AND 6MD

| MIN. SUMP DIA. | MIN. VALVE BOX DIA. | PIPING SIZE | A     | B  | C   |
|----------------|---------------------|-------------|-------|----|-----|
| 5'-6"          | 4'-0"               | 6"          | 7-7/8 | 0" | 11" |
| 5'-6"          | 4'-0"               | 8"          | 7-7/8 | 0" | 11" |
| 6'-0"          | 5'-0"               | 10"         | 7-7/8 | 0" | 11" |

1101 Myers Parkway  
Ashland, OH 44805  
Ph: 855.274.8947  
Fx: 800.426.9446

490 Pinebush Rd., Unit 4  
Cambridge, Ontario N1T 0A5, Canada  
Ph: 800.363.7867  
Fx: 888.606.5484

[pentair.com/hydromatic](http://pentair.com/hydromatic)