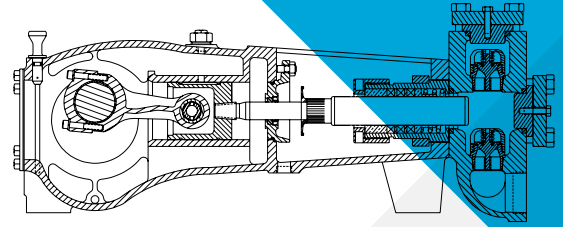


## APLEX SERIES SC-65(L)(H) TRIPLEX PLUNGER PUMP



### INTERMITTENT DUTY ONLY

No. of plungers .....	3
Maximum rated speed .....	550 RPM
Stroke length .....	2.75 in. 69.85 mm
Maximum rated power .....	92 hp 68.5 kW
Maximum rod load .....	7216 lbs. 32.04 kN
Weight SC-65L .....	750 lbs.
SC-65H .....	795 lbs.

### ENGLISH UNITS

SC-65

PUNGER SIZE IN.	STUFFING BOX BORE IN.	MAX. PSI	*GALLON PER REV.	200 US GPM	250 US GPM	350 US GPM	450 US GPM	550 US GPM
2.250	2.875	1815	0.1420	28.4	35.5	49.7	63.9	78.1
2.125	2.875	2035	0.1267	25.3	31.7	44.3	57.0	69.7
2.000	2.875	2297	0.1122	22.4	28.1	39.3	50.5	61.7
1.875	2.875	2613	0.0986	19.7	24.7	34.5	44.4	54.2
1.750	2.875	3000	0.0859	17.2	21.5	30.1	38.7	47.2
hp REQUIRED @ rpm **				33.4	41.8	58.5	75.2	92.0

### METRIC UNITS

SC-65

PLUNGER SIZE MM	STUFFING BOX BORE MM	MAX. PRESS. BAR	*LITERS PER REV.	250 RPM LPM	350 RPM LPM	450 RPM LPM	550 RPM LPM	650 RPM LPM
57.2	73.0	125.1	0.5375	107.5	134.4	188.1	241.9	295.6
54.0	73.0	140.3	0.4796	95.9	119.9	167.9	215.8	263.8
50.8	73.0	158.4	0.4247	84.9	106.2	148.6	191.1	233.6
47.6	73.0	180.2	0.3732	74.6	93.3	130.6	167.9	205.3
44.5	73.0	206.8	0.3252	65.0	81.3	113.8	146.3	178.9
kW REQUIRED @ rpm				24.9	31.1	43.6	56.1	68.6

### ENGLISH UNITS

SC-65H

PUNGER SIZE IN.	STUFFING BOX BORE IN.	MAX. PSI	*GALLON PER REV.	200 US GPM	250 US GPM	350 US GPM	450 US GPM	550 US GPM
1.625	2.500	3479	0.0741	14.8	18.5	25.9	33.3	40.7
1.500	2.500	4083	0.0631	12.6	15.8	22.1	28.4	34.7
1.375	2.250	4858	0.0530	10.6	13.3	18.6	23.9	29.2
1.250	2.250	5000	0.0438	8.8	11.0	15.3	19.7	24.1
hp REQUIRED @ rpm **				33.4	41.8	58.5	75.2	92.0

### METRIC UNITS

SC-65H

PLUNGER SIZE MM	STUFFING BOX BORE MM	MAX. PRESS. BAR	*LITERS PER REV.	250 RPM LPM	350 RPM LPM	450 RPM LPM	550 RPM LPM	650 RPM LPM
41.3	63.5	240.0	0.2805	56.1	70.1	98.2	126.2	154.3
38.1	63.5	281.5	0.2389	47.8	59.7	83.6	107.5	131.4
34.9	57.2	334.9	0.2006	40.1	50.2	70.2	90.3	110.3
31.8	57.2	344.7	0.1658	33.2	41.5	58.0	74.6	91.2
kW REQUIRED @ rpm				24.9	31.1	43.6	56.1	68.6

### ENGLISH UNITS

SC-65L

PUNGER SIZE IN.	STUFFING BOX BORE IN.	MAX. PSI	*GALLON PER REV.	200 US GPM	250 US GPM	350 US GPM	450 US GPM	550 US GPM
3.000	Piston	1050	0.252	50.5	63.1	88.3	113.6	138.8
2.750	3.500	1215	0.212	42.4	53.0	74.2	95.5	116.7
2.625	3.500	1334	0.193	38.7	48.3	67.6	87.0	106.3
2.500	3.250	1471	0.175	35.1	43.8	61.4	78.9	96.4
2.375	3.250	1630	0.158	31.6	39.6	55.4	71.2	87.0
2.250	2.875	1815	0.142	28.4	35.5	49.7	63.9	78.1
hp REQUIRED @ rpm **				33.4	41.8	58.5	75.2	92.0

### METRIC UNITS

SC-65L

PLUNGER SIZE MM	STUFFING BOX BORE MM	MAX. PRESS. BAR	*LITERS PER REV.	250 RPM LPM	350 RPM LPM	450 RPM LPM	550 RPM LPM	650 RPM LPM
76.2	Piston	72.4	0.954	190.8	238.5	333.9	429.3	524.7
69.9	88.9	83.8	0.803	160.6	200.7	281.1	361.4	441.6
66.7	88.9	92.0	0.732	146.3	182.9	256.1	329.3	402.4
63.5	82.6	101.4	0.664	132.7	165.9	232.3	298.6	365.0
60.3	82.6	112.4	0.599	119.8	149.7	209.6	269.5	329.4
57.2	73.0	125.1	0.538	107.5	134.4	188.1	241.9	295.6
kW REQUIRED @ rpm				24.9	31.1	43.6	56.1	68.6

\*Displacement based on 100% Volumetric Efficiency

Power based on 90% Mechanical Efficiency

$$lhp = \frac{USGPM \times (\text{Discharge psig} - 1/2 \text{ Suction psig})}{1542}$$

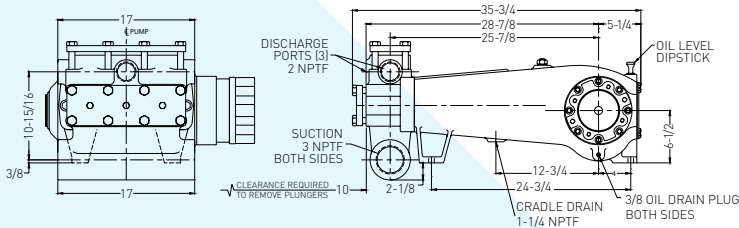
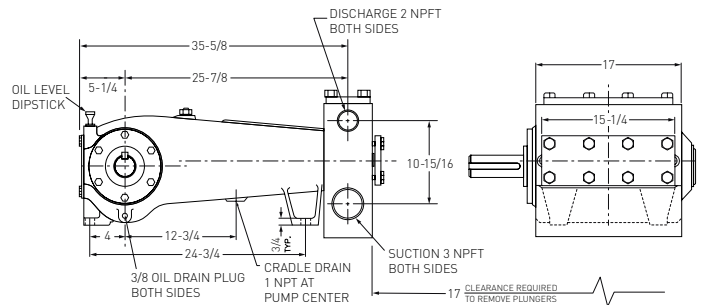
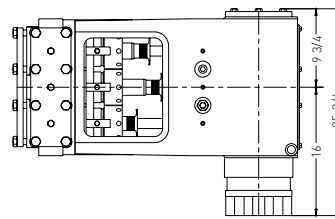
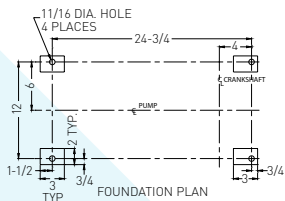
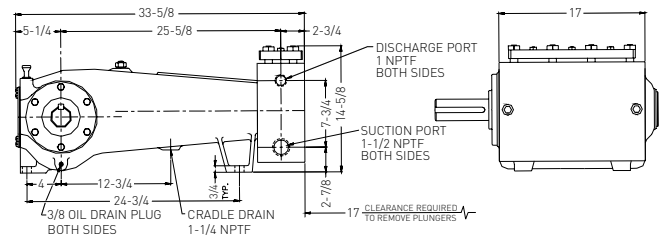
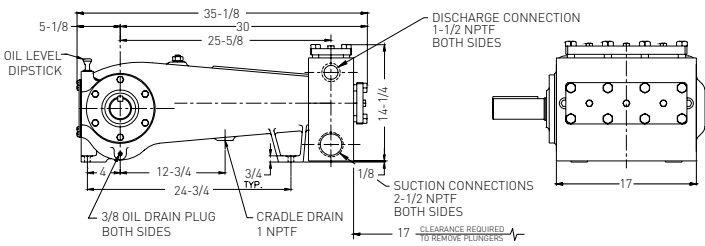
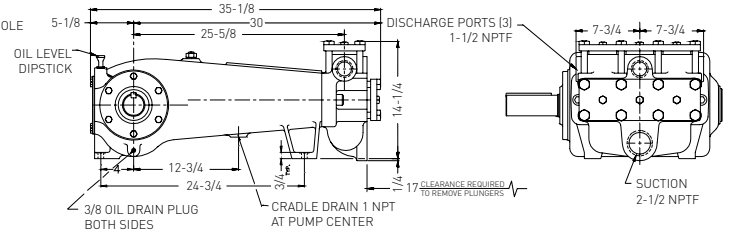
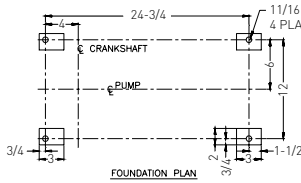
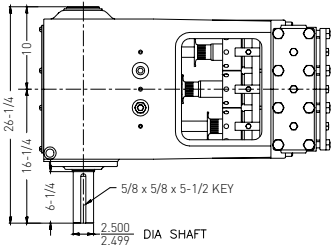
$$PUMP \text{ RPM} = \frac{USGPM \text{ Desired}}{USG \text{ per Revolution of Selected Plunger}}$$

$$lKW = \frac{M/HR \times (\text{Discharge Bar} - 1/2 \text{ Suction Bar})}{32.4}$$

$$PUMP \text{ RPM} = \frac{M/HR \text{ Desired}}{M \text{ per Revolution of Selected Plunger}}$$

## APLEX SERIES - SC-65(L)(H) TRIPLEX PLUNGER PUMP

SC-65 Series Triplex Pump  
(Measurements in inches)





# APLEX SERIES - SC-65(L)(H) TRIPLEX PLUNGER PUMP

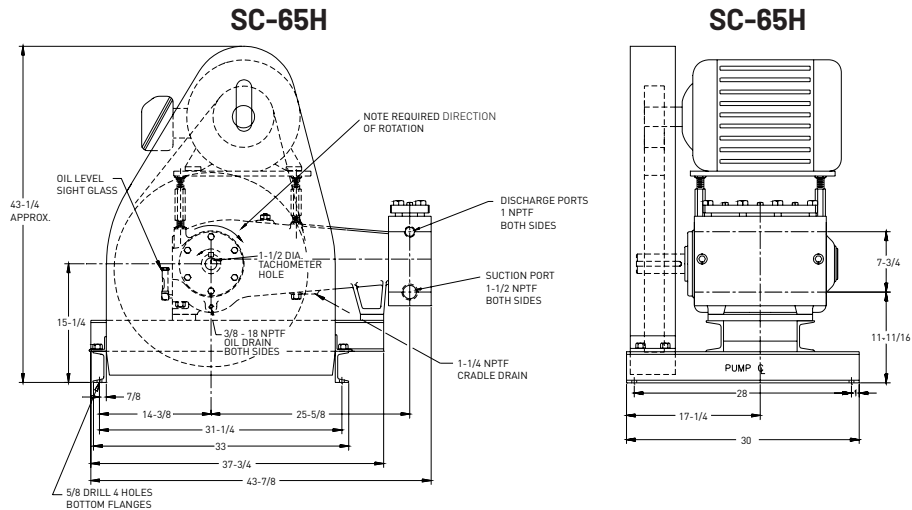
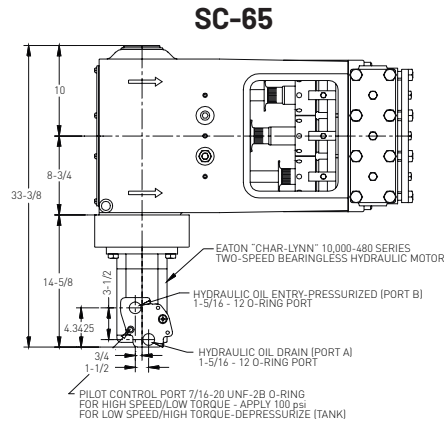
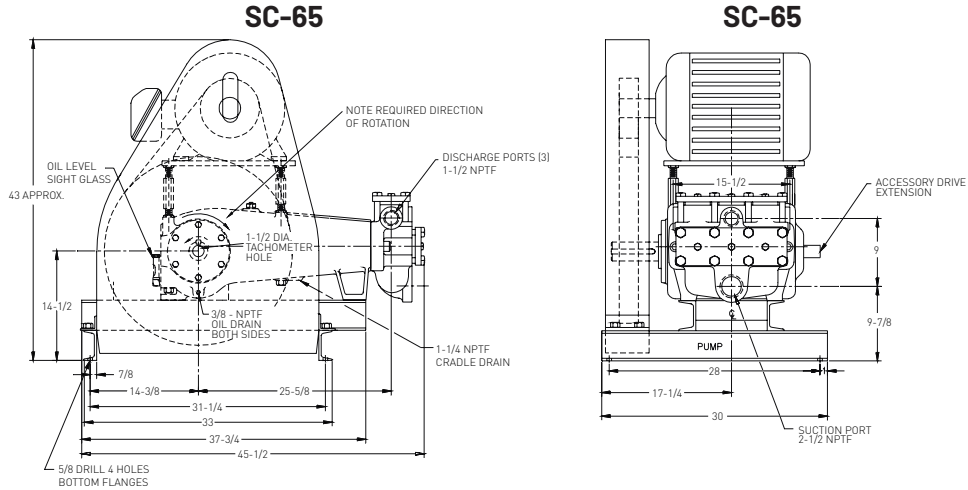
## POWER END ENGINEERING DATA

MAX. INPUT POWER @ SPEED .....	92 hp @ 550 RPM
Rated Plunger Load .....	7,216 lbs.
Minimum Speed .....	100 RPM
Oil Capacity .....	8 U.S. Qts.
Power End Oiling System .....	Splash & Scoop
Power Frame, One-Piece .....	Cast Iron
Crosshead, Full Cylindrical .....	Cast Iron
Crosshead, Dia. x Length.....	4 x 4-1/2 in.
Crankshaft .....	Ductile Iron
Crankshaft Diameters:	
At Tapered Roller Bearings .....	3.35 in.
At Crankpin Bearings, Dia. x Length.....	2-3/4 x 2 in.
Crosshead (Wrist) Pin, Case-Hardened and Ground .....	AISI 8620
Main Bearings, Tapered Roller .....	Timken
Crankpin Bearings, Precision Automotive .....	Babbitt-Lined
Extension (Pony) Rod Integral w/ Plungers .....	316 S.ST.
Connecting Rod, Automotive Type .....	Ductile Iron
Average Crosshead Speed @ 550 RPM .....	252 fpm
Minimum Life Expectancy, Main Bearings, L <sub>10</sub> .....	30,000+ hr.

## LIQUID END ENGINEERING DATA

Max. Working Pressure	SC-65.....	3,000 psi
	SC-65L.....	1,815 psi
	SC-65H.....	5,000 psi
Hydrostatic Test	SC-65.....	4,500 psi
	SC-65L.....	2,725 psi
	SC-65H.....	7,500 psi
Liquid End Materials, A.S.T.M.		
	Ductile Iron SC-65(L) .....	A536 80-55-06
	Nickel Aluminum Bronze SC-65 .....	B148 C955
	Carbon Steel .....	Various Grades
	Stainless Steel! .....	Various Grades
	Plunger Type Rokide Stainless Steel, (Chromium Oxide-Coated) .....	Tungsten Carbide, Ceramic & others also available
	Stuffing boxes, Field-Removable and Replaceable .....	Various Grades of carbon steel and SST available
Packing Types Available:		
	Gland-loaded, Non-Adjustable SC-65(L).....	Style 838
	Spring-loaded, Braided PTFE coating and Aramid Fiber .....	Style 0140, 0141, 8921K
	Spring-loaded, cup-type .....	Style 120X
	Valve Cover and Cyl. Head Plugs .....	1020 or 316 S.ST.
	Retainer Plates, Steel, A.S.T.M. ....	A36
	Seals, Stuffing Boxes, Valve Covers .....	Nitrile
	Valve Type, Abrasion Resistant .....	17-4 PH S.ST.
	Valve Type, Disc .....	Acetal, 17-4PH SS T, Titanium
	Valve Spring Material .....	Inconel
Valve Seat, Liquid Passage Area		
	Plate (disc) Valves, (Acetal or S.S.)	
	SC-65.....	2.3 sq.in.
	65L .....	2.4 sq. in.
	65H .....	0.7 sq. in.
	Abrasion Resistant Valve .....	1.07 sq.in.
	65L .....	2.4 sq. in.
	65H .....	0.7 sq. in.
Avg. Liquid Velocity @ 550 RPM		
	thru Disc Valves SC-65 .....	7.3 fps
	thru A R Valves SC-65 .....	12.3 fps
	thru Suction Manifold SC-65.....	5.2 fps
	thru Discharge Manifold SC-65 .....	14.1 fps
Avg. Liquid Velocity @ 550 RPM		
	thru Disc Valves SC-65L .....	10.6 fps
	thru A R Stem Valves SC-65L .....	13.7 fps
	thru Suction Manifold SC-65L.....	5.2 fps
	SC-65.....	5.1 fps
	thru Discharge Manifold SC-65L .....	11.9 fps
	SC-65H .....	14.2 fps

## SC-65 Series Triplex Pump (Measurements in inches)



1101 MYERS PARKWAY,  
ASHLAND, OH 44805  
Ph: 888-416-9513

CANADA: 490 PINEBUSH RD,  
UNIT 4,CAMBRIDGE,  
ONTARIO N1T 0A5

pentair.com

All indicated Pentair trademarks and logos are property of Pentair. Third party registered and unregistered trademarks and logos are the property of their respective owners. Because we are continuously improving our products and services, Pentair reserves the right to change specifications without prior notice. Pentair is an equal opportunity employer.

Incone® is a registered trademark of the Special Metals family of companies.

Timken® is a registered trademark of The Timken Company

Rokide® is a registered trademark of Saint-Gobain Abrasives, Inc.