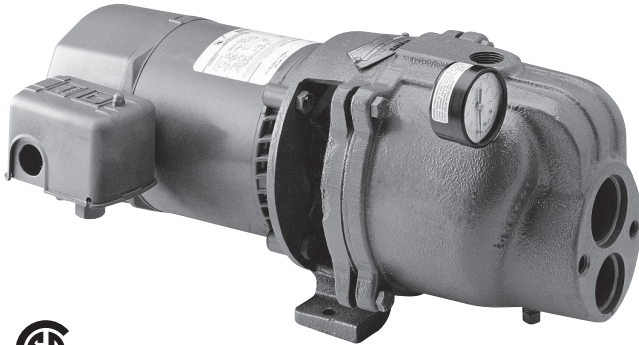


# CONVERTIBLE JET PUMPS

## HC AND HCM SERIES



Myers Convertible Jet Pumps provide all the water and pressure needed for today's family living needs. High quality materials and simplified construction combine for excellent performance in shallow and deep wells. The same twin ejector is used for both types of well service.

### APPLICATIONS

Water systems and sprinkling for homes, farms, and industry.

### FEATURES

- ◆ **Heavy-Duty Cast Iron Case Construction.**
- ◆ **Primes Easily:** Under maximum shallow well conditions.
- ◆ **Stainless Steel Impeller:** Balanced for smooth operation.
- ◆ **Fast Connect Flanges:** Eliminates threading and fitting at pipe end.
- ◆ **Stream-Flo Design:** Provides optimum hydraulic performance.
- ◆ **Durable Cast Iron Pressure Regulator Included.**
- ◆ **Pressure Switch and Pressure Gauge Included.**

### SPECIFICATIONS

- ◆ **Motor:** 2-Compartment 115/230 Volt.
- ◆ **Rotary Seal:** Stainless Steel/Buna N.
- ◆ **Impeller:** Stainless Steel.
- ◆ **Motor Bracket:** Cast Iron.
- ◆ **Discharge Diffuser:** Cast Iron.
- ◆ **Second Stage Diffuser (HCM's):** Cast Iron.
- ◆ **Diffuser Housing:** Cast Iron.
- ◆ **Motor Shaft:** Stainless Steel.
- ◆ **Pressure Switch:** Square D dual adjustment.

### ORDERING INFORMATION

CATALOG NUMBER	PART NUMBER	DISCHARGE	PRESSURE SWITCH SETTING	PACKER TYPE INNER PIPE SIZE FOR 2" WELL	TWIN TYPE DROP PIPE SIZE	FOOT VALVE SIZE - TWIN TYPE ONLY	MOTOR CAPACITOR TYPE BUILT-IN OVERLOAD PROTECTION	SHIPPING WT. PUMP UNIT ONLY	SHIPPING WEIGHT JET PACKAGES FOR		
									4" WELL		2" WELL
									BRONZE	CAST IRON	
<b>HC50</b>											
HC50	14435D000	3/4"	20-40	1"	1-1/4"x1"	1-1/4"	115/230 volt	54	5	4	4
<b>HCM</b>											
HCM100	14456D000	1"	40-60	1"	1-1/4" x 1-1/4"	1-1/4"	115/230 volt	78	5	4	4
HCM150	14457D000	1"	40-60	1"	1-1/4" x 1-1/4"	1-1/4"	115/230 volt	85	5	4	4

# HC AND HCM SERIES CONVERTIBLE JET PUMPS

## PUMP PERFORMANCE

### HC50 SHALLOW WELL

CATALOG NUMBER	HP	JET PACKAGE CAT. NO.	5 FOOT SUCTION LIFT					15 FOOT SUCTION LIFT					20 FOOT SUCTION LIFT				
			DISCHARGE PRESSURE, PSI					DISCHARGE PRESSURE, PSI					DISCHARGE PRESSURE, PSI				
			20	30	40	50	60	20	30	40	50	60	20	30	40	50	60
CAPACITY IN U.S. GALLONS PER MINUTE																	
HC50	1/2	SW50	13.5	13	11.5	10	6.6	10	10	9.3	8	4.6	5.5	5.5	5.5	5	2

### HC50 DEEP WELL

CATALOG NUMBER	HP	MAX. AMPS 115/230 V	AVERAGE REGULATOR SETTING	JET PACKAGE CAT. NO.			VERTICAL DISTANCE IN FEET FROM PUMP TO LOW WATER LEVEL										
				TWIN TYPE		PACKER	30	40	50	60	70	80	90	100	110		
				4" MIN. WELL		2" WELL	CAPACITY IN U.S. GALLONS PER MINUTE										
				CAST IRON	BRONZE												
HC50	1/2	10.6 / 5.3	22 PSI	DW50-I	DW-50	P50	12	11	9.8	8.3	6.5	4.5	2.3				

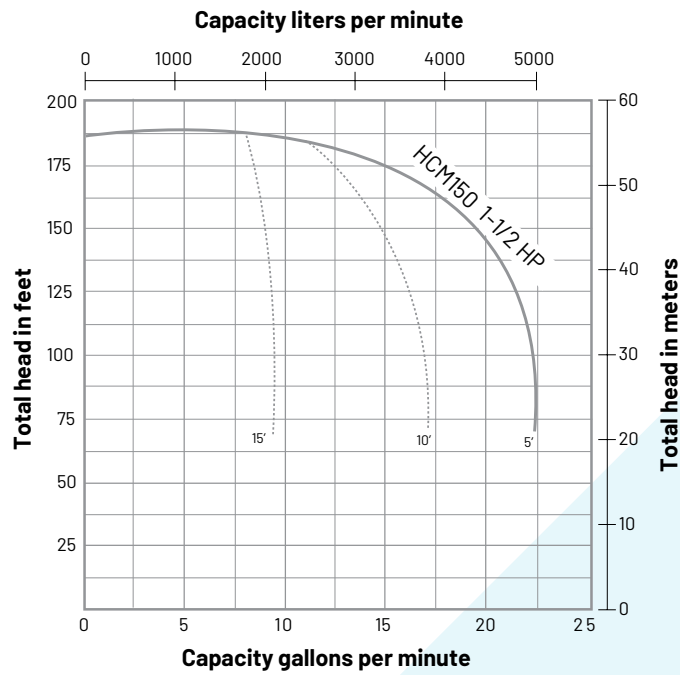
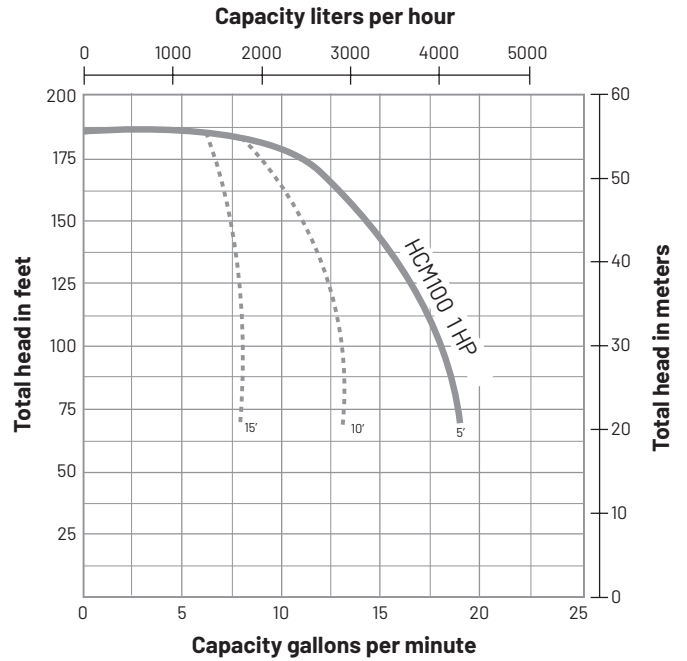
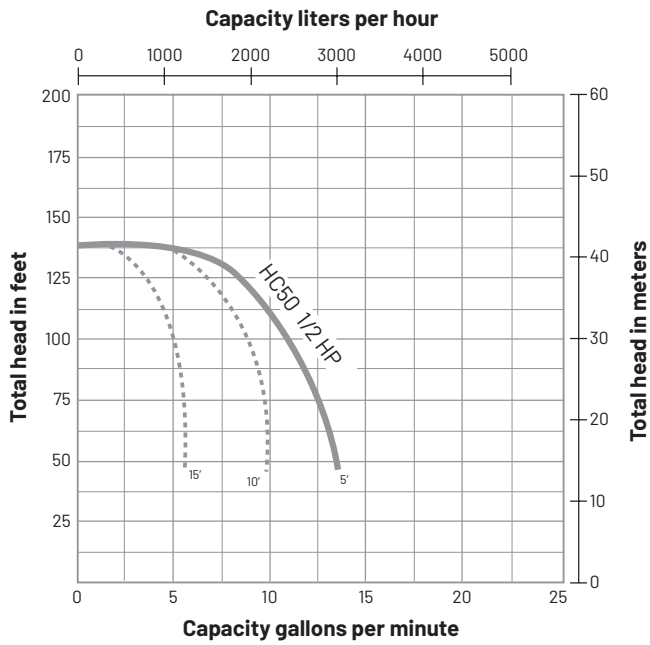
### HCM SHALLOW WELL

CATALOG NUMBER	HP	JET PACKAGE CAT. NO.	5 FOOT SUCTION LIFT						15 FOOT SUCTION LIFT						20 FOOT SUCTION LIFT					
			DISCHARGE PRESSURE, PSI						DISCHARGE PRESSURE, PSI						DISCHARGE PRESSURE, PSI					
			30	40	50	60	70	80	30	40	50	60	70	80	30	40	50	60	70	80
CAPACITY IN U.S. GALLONS PER MINUTE																				
HCM100	1	SW100	19	19	16.5	16	13	10	13	13	13	12	10	8	8	8	8	8	6.5	
HCM150	1-1/2	SW150	22.5	22.5	22.5	20	20	13	17	17	16.5	16	14	11	9.3	9.3	9.3	9.3	8.8	8.3

### HCM DEEP WELL

CATALOG NUMBER	HP	MAX. AMPS 115/230 V	AVERAGE REGULATOR SETTING	JET PACKAGE CAT. NO.			VERTICAL DISTANCE IN FEET FROM PUMP TO LOW WATER LEVEL														
				TWIN TYPE		PACKER	30	40	50	60	70	80	90	100	110	120	130	140	150		
				4" MIN. WELL		2" WELL	CAPACITY IN U.S. GALLONS PER MINUTE														
				CAST IRON	BRONZE																
HCM100	1	17.0 / 8.5	34 PSI	DW100-I	DW100	P100	15	13.3	12	10.6	9.3	8	6.6	5.3	4	2.6	2				
HCM150	1-1/2	19.8/9.9	40 PSI	DW150-I	DW150	P150	17.5	16	14.5	12.8	11.6	9.5	8	7	6	5	4	3	2		

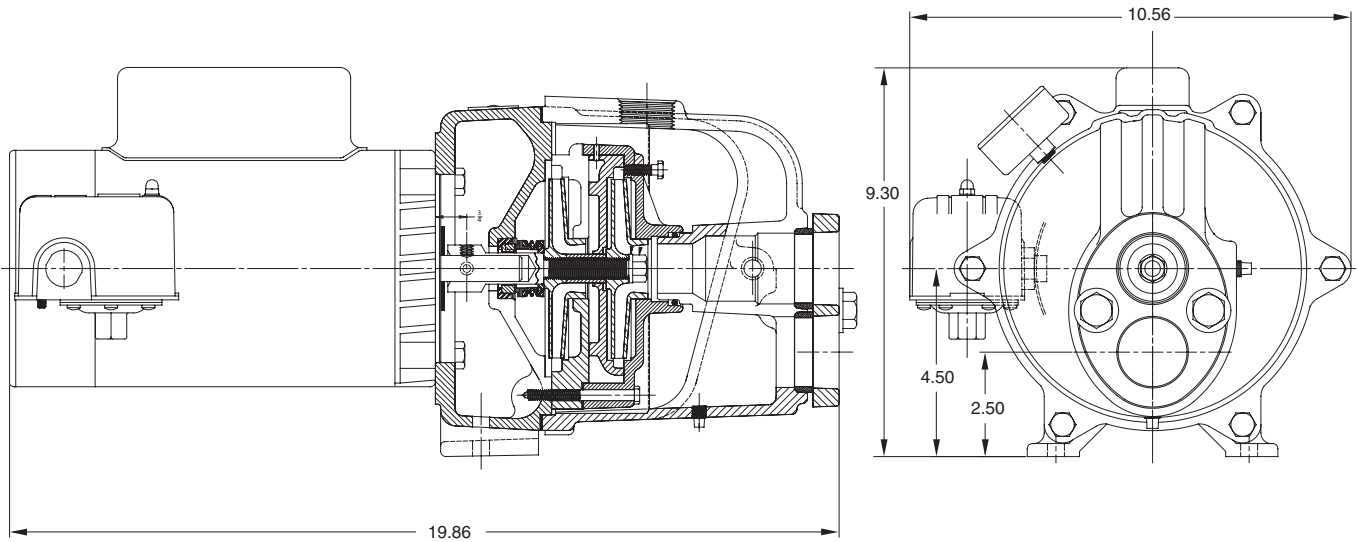
PUMP PERFORMANCE



# HC AND HCM SERIES CONVERTIBLE JET PUMPS

## OUTLINE DIMENSIONS

### HCM100 AND HCM150



Dimensions (in inches) are for estimating purposes only.



293 Wright Street  
Delavan, WI 53115  
Ph: 866.973.6835  
Fx: 800.426.9446

490 Pinebush Rd., Unit 4  
Cambridge, Ontario  
Canada N1T 0A5  
Ph: 800.363.7867  
Fx: 888.606.5484

[pentair.com](http://pentair.com)

All indicated Pentair trademarks and logos are property of Pentair. Third party registered and unregistered trademarks and logos are the property of their respective owners. Because we are continuously improving our products and services, Pentair reserves the right to change specifications without prior notice. Pentair is an equal opportunity employer.

©2022 Pentair. All Rights Reserved.

M9131WS (12-15-22)